



Technical data book RXM-R



Table of contents

RXM-R

1	Features	4
	RXM-R	4
2	Specifications	5
3	Electrical data	28
4	Capacity tables	32
	Cooling/Heating Capacity Tables	32
5	Dimensional drawings	51
6	Centre of gravity	53
7	Piping diagrams	55
8	Wiring diagrams	57
	Wiring Diagrams - Single Phase	57
9	Sound data	59
	Sound Pressure Spectrum	59
10	Operation range	63

1 Features

1 - 1 RXM-R

- › Choosing for an R-32 product, reduces the environmental impact with 68% compared to R-410A and leads directly to lower energy consumption thanks to its high energy efficiency
- › Outdoor units are neat, sturdy and can easily be mounted on a roof or terrace or simply placed against an outside wall
- › Outdoor units are fitted with a swing compressor, renowned for its low noise and high energy efficiency
- › Outdoor units for pair application
- › Anti-corrosion treated outdoor heat exchanger fin

1

Outdoor
unit silent
operation

2 Specifications

1 - 1 RXM-R

Technical Specifications				RXM25R	RXM35R	RXM50R	RXM60R	
Casing	Colour			Ivory white				
Dimensions	Unit	Height	mm	550			734	
		Width	mm	765			870	
		Depth	mm	285			373	
	Packed unit	Height	mm	612			820	
		Width	mm	906			1,050	
		Depth	mm	402			480	
Weight	Unit			32			49.0	
	Packed unit			34			53	
Packing	Weight		kg	-			4	
Heat exchanger	Length		mm	805			920	
	Rows	Quantity		2				
	Fin pitch		mm	1.4			1.40	
	Stages	Quantity		24			32	
	Passes	Quantity		3.1			2.2	
	Tube type				ø7 Hi-XD			7.0 Hi-XD
	Fin		Type		Waffle fin (PE)			
	Type		Propeller fan					
	Fan	Air flow rate	Cooling	Nom.	m ³ /min	28.3	36.0	46.6
				cfm	999	1,271	1,645	
Heating		Nom.	m ³ /min	28.3		44.1		
			cfm	999		1,557		
Fan motor	Model			DFC05A3VA			D55F-31	
	Output		W	50			55	
	Speed	Cooling	High	rpm	860	920	760	
			Nom.	rpm	800	860	740	
			Low	rpm	400		640	
	Heating	High	rpm	860		720		
		Nom.	rpm	800		720		
		Low	rpm	400		660		
Compressor	Model			1YC25GXD#C			2YC40JXD#C	
	Oil Amount		cm ³	-			650	
	Type		Hermetically sealed swing compressor					
	Output		W	800			1,300.0	
	Oil Type		-			FW68DA		
Sound power level	Cooling		dB(A)	58	61	62.0	63.0	
Sound power level	Heating		dB(A)	59	61	62.0	63.0	
Sound pressure level	Cooling	Nom.	dB(A)	46	49	48.0		
		Heating	dB(A)	47	49	49.0		
Refrigerant	Type			R-32				
	Charge		kg	0.76			1.15	
	Charge		TCO ₂ Eq	0.52			0.780	
	Control		Expansion valve					
	GWP		675			675.0		
Piping connections	Liquid	OD		mm	635			
		Gas		mm	9.50	12.7		
	Drain		OD		mm	18		
	Piping length	OU - IU	Max.	m	20			
			System Chargeless	m	10			
	Additional refrigerant charge		kg/m	0.02 (for piping length exceeding 10m)				
	Level difference	IU - OU	Max.	m	15			20.0
			Heat insulation		Both liquid and gas pipes			
	Capacity control	Method		Variable (inverter)				

Technical Specifications				RXM25R	RXM35R	RXM50R	RXM20R	RXM42R	RXM60R	RXM71R
Casing	Colour			Ivory white						
Dimensions	Unit	Height	mm	550	734	550	734			
		Width	mm	765	870	765	870	954		
		Depth	mm	285	373	285	373	401		
	Packed unit	Height	mm	612	820	612	820			
		Width	mm	906	1,050	906	1,050			
		Depth	mm	402	480	402	480			
Weight	Unit			32	49.0	32	49.0	55		
	Packed unit			34	53	34	53	60		
Packing	Weight		kg	-	4	-	4	5		

2 Specifications

1 - 1 RXM-R

2

Technical Specifications				RXM25R	RXM35R	RXM50R	RXM20R	RXM42R	RXM60R	RXM71R	
Heat exchanger	Length	mm		805		920	805	920			
	Rows	Quantity		2							
	Fin pitch	mm		1.4	1.40	1.4	1.40				
	Stages	Quantity		24	32	24	32				
	Passes	Quantity		3.1	2.2	3.1	2.2				
	Tube type			ø7 Hi-XD		7.0 Hi-XD	ø7 Hi-XD	7.0 Hi-XD		ø7 Hi-XD	
	Fin	Type		Waffle fin (PE)							
Fan	Type			Propeller fan							
	Air flow rate	Cooling	Nom.	m ³ /min	28.3	36.0	46.6	36.0	46.6		-
			cfm	999	1,271	1,645	1,271	1,645		1,730	
	Heating	Nom.	m ³ /min	-							49.0
		cfm	999	28.3	44.1	28.3	44.1		-		
	Medium	m ³ /min	-							46.2	
Medium	m ³ /min	-							46.2		
Fan motor	Model		DFC05A3VA		D55F-31	DFC05A3VA	D55F-31		D90B-37		
	Output	W	50		55	50	55		128		
	Speed	Cooling	High	rpm	860	920	760	920	760		880
			Nom.	rpm	800	860	740	800	740		780
			Low	rpm	400		640	400	640		700
	Heating	High	rpm	860		720	860	720		780	
		Nom.	rpm	800		720	800	690	720	740	
		Low	rpm	400		660	400	500	660	680	
Compressor	Model		1YC25GXD#C		2YC40JXD#C	1YC25GXD#C	2YC40JXD#C		2YC71DXD#C		
	Oil Amount	cm ³	-		650	-	650		900		
	Type		Hermetically sealed swing compressor								
Compressor	Output	W	800		1,300.0	800	1,300.0		2,400.0		
Sound power level	Oil Type		-		FW68DA	-	FW68DA				
	Cooling	dB(A)	58	61	62.0	59	62.0	63.0	66.0		
Sound pressure level	Heating	dB(A)	59	61	62.0	59	62.0	63.0	67.0		
	Cooling	Nom. dB(A)	46	49	48.0	46	48.0		47.0		
Refrigerant	Heating	Nom. dB(A)	47	49	49.0	47	48.0	49.0	48.0		
Piping connections	Type		R-32								
	Charge	kg	0.76		1.15	0.76	1.10	1.15			
	Charge	TCO2Eq	0.52		0.780	0.52	0.750	0.780			
	Control		Expansion valve		-	Expansion valve	-				
	GWP		675		675.0	675	675.0				
Capacity control	Liquid	OD	mm	635							
	Gas	OD	mm	9.50		12.7	9.50		12.7	15.9	
	Drain	OD	mm	18		16	18	16		18	
	Piping length	OU - IU	Max. m	20		30	20	30			
	Additional refrigerant charge	System	Chargeless	m	10		-	10	-		
	Level difference	IU - OU	Max. m	15		20.0	15	20.0			
	Heat insulation			Both liquid and gas pipes							
Capacity control	Method		Variable (inverter)								

Standard accessories: Drain plug; Quantity: 1;

Standard accessories: Installation manual; Quantity: 1;

Standard accessories: Refrigerant charge label; Quantity: 1;

Standard accessories: Multilingual fluorinated greenhouse gases labels; Quantity: 1;

Standard accessories: Drain cap (1); Quantity: 6;

Standard accessories: Drain cap (2); Quantity: 3;

Electrical Specifications				RXM25R	RXM35R	RXM50R	RXM60R
Power supply	Phase			1~			
	Frequency	Hz		50			
	Voltage	V		220-240			
Wiring connections	For power supply	Quantity		3			
		Remark		Earth wire included			
	For connection with indoor	Quantity		4			
	Remark		Earth wire included				

Electrical Specifications				RXM25R	RXM35R	RXM50R	RXM20R	RXM42R	RXM60R	RXM71R
Power supply	Phase			1~						
	Frequency	Hz		50						
	Voltage	V		220-240						
Wiring connections	For power supply	Quantity		3						
		Remark		Earth wire included						
	For connection with indoor	Quantity		4						
	Remark		Earth wire included							

2 Specifications

1 - 1 RXM-R

See separate drawing for operation range |
See separate drawing for electrical data |
Contains fluorinated greenhouse gases

Technical specifications			FDXM25F9 + RXM25R	FDXM35F9 + RXM35R	FDXM50F9 + RXM50R	FDXM60F9 + RXM60R	
Indoor unit			-		FDXM50F3V1B9	FDXM60F3V1B9	
Outdoor unit			-		RXM50R2V1B	RXM60R2V1B	
Cooling capacity	Min.	kW	1.30	1.40	1.70		
	Min.	Btu/h	4,435	4,800	5,800		
	Min.	kcal/h	1,117	1,204	1,462		
	Nom.	kW	2.40	3.40	5.00	6.00	
	Nom.	Btu/h	8,189	11,600	17,100	20,500	
	Nom.	kcal/h	2,064	2,923	4,299	5,159	
	Max.	kW	3.00	3.80	5.30	6.50	
	Max.	Btu/h	10,236	13,000	18,100	22,200	
	Max.	kcal/h	2,579	3,267	4,557	5,589	
Heating capacity	Min.	kW	1.30	1.40	1.70		
	Min.	Btu/h	4,435	4,800	5,800		
	Min.	kcal/h	1,117	1,200	1,500		
	Nom.	kW	3.20	4.00	5.80	7.00	
	Nom.	Btu/h	10,919	13,600	19,800	23,900	
	Nom.	kcal/h	2,752	3,439	4,987	6,019	
	Max.	kW	4.50	5.00	6.00	7.10	
	Max.	Btu/h	15,354	17,100	20,500	24,200	
	Max.	kcal/h	3,869	4,299	5,159	6,105	
Power input	Cooling	Nom. kW	0.64	1.14	1.63	2.05	
	Heating	Nom. kW	0.80	1.15	1.87	2.18	
Nominal efficiency	EER		3.77	2.98	3.06	2.93	
	COP		4.00	3.48	3.10	3.21	
	Annual energy consumption		kWh	318	570	817	1,024
	Energy labeling	Cooling Heating Directive	A A	C B	B D	C C	
Space cooling	Energy efficiency class		A+	A	A+	A	
	Capacity	Pdesign kW	2.40	3.40	5.00	6.00	
	SEER		5.68	5.26	5.77	5.56	
	Annual energy consumption		kWh/a	148	226	303	378
Space heating (Average climate)	Energy efficiency class		A+		A		
	Capacity	Pdesign kW	2.60	2.90	4.00	4.60	
	SCOP/A		4.24	3.88	3.93	3.80	
	SCOPnet/A		4.27	3.91	3.95	3.83	
Space heating (Average climate)	PdH Heating capacity at -10°		kW	2.16	2.41	3.56	3.94
	Annual energy consumption		kWh/a	858	1,046	1,424	1,693
	Required back up heating cap at design conditions		kW	0.44	0.49	0.44	0.66
	Energy efficiency class		A+++	A++		A+	
Space heating (Warm climate)	Capacity	Pdesignh kW	1.40	1.57	2.13	2.48	
	SCOP		5.38	4.88	4.40	4.47	
	SCOPnet		5.46	4.95	4.45	4.51	
	Annual energy consumption		kWh/a	365	450	679	777
Required back up heating cap at design conditions		kW	0.00				
Space cooling	A	Pdc kW	2.40	3.40	5.00	6.00	
	Condition	EERd	3.77	2.98	3.06	2.93	
	(35°C - 27/19)	Power input	kW	0.64	1.14	1.63	2.05
	B	Pdc kW	1.76	2.50	3.67	4.43	
	Condition	EERd	5.38	4.08	4.96	4.64	
	(30°C - 27/19)	Power input	kW	0.33	0.61	0.74	0.95
	C	Pdc kW	1.27	1.61	2.37	2.85	
	Condition	EERd	8.92	8.05	8.21	6.96	
	(25°C - 27/19)	Power input	kW	0.14	0.20	0.29	0.41
	D	Pdc kW	1.31	1.46	2.26		
	Condition	EERd	10.90	9.65	9.47	10.44	
	(20°C - 27/19)	Power input	kW	0.12	0.15	0.24	0.22

2 Specifications

1 - 1 RXM-R

2

Technical specifications				FDXM25F9 + RXM25R	FDXM35F9 + RXM35R	FDXM50F9 + RXM50R	FDXM60F9 + RXM60R	
Space heating (Average climate)	TOL	Tol (temperature operating limit) °C		-15				
		Pdh (declared heating cap) kW	1.93	2.15	3.59	3.72		
		COPd (declared COP)	2.20	2.01	1.89	1.91		
		Power input kW	0.88	1.07	1.90	1.95		
	TBivalent	Tbiv (bivalent temperature) °C		-7				
		Pdh (declared heating cap) kW	2.30	2.57	3.54	4.07		
		COPd (declared COP)	2.81	2.60	2.87	2.58		
		Power input kW	0.82	0.99	1.23	1.58		
	A	Pdh (declared heating cap) kW		2.30	2.57	3.54	4.07	
		Condition COPd (declared COP)	2.81	2.60	2.87	2.58		
		Power input kW (-7°C)	0.82	0.99	1.23	1.58		
	B	Pdh (declared heating cap) kW		1.40	1.57	2.13	2.48	
		Condition COPd (declared COP)	4.21	3.84	4.10	3.92		
		Power input kW (2°C)	0.33	0.41	0.52	0.63		
	C	Pdh (declared heating cap) kW		1.00	1.02	1.62		
Condition COPd (declared COP)		5.54	4.94	4.56	4.52			
Power input kW (7°C)		0.18	0.21	0.36				
Space heating (Average climate)	D	Pdh (declared heating cap) kW		1.17	1.19	1.92		
		Condition COPd (declared COP)	6.84	6.08	5.49	5.46		
		Power input kW (12°C)	0.17	0.20	0.35			
Power consumption in other than active mode	Crankcase heater	Cooling PCK kW	-		0.000			
		Heating PCK kW	-		0.000			
	Off mode	Cooling POFF kW	14.0	0.014		0.015		
		Heating POFF kW	14.0	0.014		0.015		
	Standby mode	Cooling PSB kW	14.0	0.014		0.015		
		Heating PSB kW	14.0	0.014		0.015		
	Thermostat-off mode	Cooling PTO kW	7.0	0.007		0.009		
		Heating PTO kW	7.0	0.007		0.009		
	Space heating (Warm climate)	TOL	Tol (temperature operating limit) °C		-15			
			Pdh (declared heating cap) kW	1.93	2.15	3.59	3.72	
COPd (declared COP)			2.20	2.01	1.89	1.91		
		Power input kW	0.88	1.07	1.90	1.95		
TBivalent		Tbiv (bivalent temperature) °C		2				
		Pdh (declared heating cap) kW	1.40	1.57	2.13	2.48		
		COPd (declared COP)	4.21	3.84	4.10	3.92		
		Power input kW	0.33	0.41	0.52	0.63		
B		Pdh (declared heating cap) kW		1.40	1.57	2.13	2.48	
		Condition COPd (declared COP)	4.21	3.84	4.10	3.92		
		Power input kW (2°C)	0.33	0.41	0.52	0.63		
C		Pdh (declared heating cap) kW		1.00	1.02	1.62		
		Condition COPd (declared COP)	5.54	4.94	4.56	4.52		
		Power input kW (7°C)	0.18	0.21	0.36			
D		Pdh (declared heating cap) kW		1.17	1.19	1.92		
	Condition COPd (declared COP)	6.84	6.08	5.49	5.46			
	Power input kW (12°C)	0.17	0.20	0.35				
Cooling	Cdc (Degradation cooling)		0.25					
Heating	Cdh (Degradation heating)		0.25					
Cooling function included				Yes				
Heating function included				Yes				
Average climate included				Yes				
Cold season included				No				
Warm season included				Yes				
Ecolabel logo				No		-		
Eurovent	Sound power level outdoor	Cooling	Nom.	dBa	59	61	62	63
		Heating	Nom.	dBa	53		55	56
	Piping length	Cooling	Measuring condition	m	5.0	5.00		

Nominal cooling capacities are based on: indoor temperature: 27°CDB, 19°CWB, outdoor temperature: 35°CDB, equivalent refrigerant piping: 5m, level difference: 0m. |
 Nominal heating capacities are based on: indoor temperature: 20°CDB, outdoor temperature: 7°CDB, 6°CWB, equivalent refrigerant piping: 5m, level difference: 0m. |
 See separate drawing for operation range |
 See separate drawing for electrical data

Technical specifications				FFA25A9 + RXM25R	FFA35A9 + RXM35R	FFA50A9 + RXM50R	FFA60A9 + RXM60R
Indoor unit				-	-	FFA50A2VEB9	FFA60A2VEB9
Outdoor unit				-	-	RXM50R2V1B	RXM60R2V1B

2 Specifications

1 - 1 RXM-R

Technical specifications			FFA25A9 + RXM25R	FFA35A9 + RXM35R	FFA50A9 + RXM50R	FFA60A9 + RXM60R	
Cooling capacity	Nom.	kW	2.50	3.40	5.00	5.70	
	Nom.	Btu/h	8,530	11,600	17,100	19,400	
	Nom.	kcal/h	2,150	2,923	4,299	4,901	
Heating capacity	Nom.	kW	3.20	4.20	5.80	7.00	
	Nom.	Btu/h	10,919	14,300	19,800	23,900	
	Nom.	kcal/h	2,752	3,611	4,987	6,019	
Power input	Cooling	Nom. kW	0.55	0.89	1.54	1.87	
	Heating	Nom. kW	0.82	1.20	1.66	2.05	
Nominal efficiency	EER		4.57	3.81	3.24	3.05	
	COP		3.90	3.50	3.49	3.41	
	Annual energy consumption		kWh	273	446	772	934
	Energy labeling	Cooling Heating Directive	A		B	B	
Space cooling	Energy efficiency class		A++		A+		
	Capacity	Pdesign kW	2.50	3.40	5.00	5.70	
	SEER		6.17	6.38	5.98	5.76	
	Annual energy consumption		kWh/a	142	186	292	347
Space heating (Average climate)	Energy efficiency class		A+		A	A+	
	Capacity	Pdesign kW	2.31	3.10	3.84	3.96	
	SCOP/A		4.24	4.10	3.90	4.04	
	SCOPnet/A		4.27	4.19	3.92	4.06	
	Pdh Heating capacity at -10°	kW	2.03	2.04	3.50	3.66	
	Annual energy consumption		kWh/a	762	1,058	1,377	1,372
	Required back up heating cap at design conditions		kW	0.28	1.06	0.34	0.30
	Energy efficiency class		A+++		A++		
Space heating (Warm climate)	Capacity	Pdesignh kW	1.24		2.09	2.14	
	SCOP		5.29	5.10	4.78	4.74	
	SCOPnet		5.37	5.18	4.83	4.79	
	Annual energy consumption		kWh/a	329	341	612	632
	Required back up heating cap at design conditions		kW	0.00			
Space cooling	A	Pdc kW	2.50	3.40	5.00	5.70	
	Condition	EERd	4.57	3.81	3.24	3.05	
	(35°C - 27/19)	Power input	kW	0.55	0.89	1.54	1.87
	B Condition (30°C - 27/19)	Pdc kW	1.84	2.51	3.69	4.20	
Space cooling	B Condition (30°C - 27/19)	EERd	6.60	5.79	5.38	5.34	
		Power input	kW	0.28	0.43	0.69	0.79
	C	Pdc kW	1.41	1.45	2.37	2.70	
	Condition	EERd	9.11	9.13	7.85	7.24	
	(25°C - 27/19)	Power input	kW	0.16		0.30	0.37
	D	Pdc kW	1.24	1.26	2.15	2.27	
	Condition	EERd	11.95	11.99	10.67	9.66	
	(20°C - 27/19)	Power input	kW	0.10	0.11	0.20	0.23
Space heating (Average climate)	TOL	Tol (temperature operating limit)	°C		-15		
		Pdh (declared heating cap)	kW	2.03	3.68	3.93	
		COPd (declared COP)	2.23	2.10	1.99	2.05	
		Power input	kW	0.91	0.97	1.85	1.92
	TBivalent	Tbiv (bivalent temperature)	°C		-7		
		Pdh (declared heating cap)	kW	2.04	3.40	3.50	
		COPd (declared COP)	3.00	2.89	2.62	2.84	
		Power input	kW	0.68	0.71	1.30	1.23
	A	Pdh (declared heating cap)	kW	2.04	3.40	3.50	
	Condition	COPd (declared COP)	3.00	2.89	2.62	2.84	
	(-7°C)	Power input	kW	0.68	0.71	1.30	1.23
	B	Pdh (declared heating cap)	kW	1.24	2.09	2.14	
	Condition	COPd (declared COP)	4.16	4.00	3.97	4.12	
	(2°C)	Power input	kW	0.30	0.31	0.53	0.52
	C	Pdh (declared heating cap)	kW	1.03	1.47	1.49	
	Condition	COPd (declared COP)	5.57	5.37	4.81	4.74	
(7°C)	Power input	kW	0.19	0.31			
D	Pdh (declared heating cap)	kW	1.21	1.71	1.74		
Condition	COPd (declared COP)	6.90	6.65	5.94	5.88		
(12°C)	Power input	kW	0.18	0.29	0.30		

2 Specifications

1 - 1 RXM-R

2

Technical specifications					FFA25A9 + RXM25R	FFA35A9 + RXM35R	FFA50A9 + RXM50R	FFA60A9 + RXM60R
Power consumption in other than active mode	Crankcase heater	Cooling	PCK	kW	-		0.000	
		Heating	PCK	kW	-		0.000	
	Off mode	Cooling	POFF	kW	14.0	0.014		0.015
		Heating	POFF	kW	14.0	0.014		0.015
	Standby mode	Cooling	PSB	kW	14.0	0.014		0.015
		Heating	PSB	kW	14.0	0.014		0.015
Thermostat-off mode	Cooling	PTO	kW	7.0		0.007		
	Heating	PTO	kW	7.0		0.007		
Space heating (Warm climate)	TOL	Tol (temperature operating limit) °C			-15			
Space heating (Warm climate)	TOL	Pdh (declared heating cap) kW			2.03		3.68	3.93
		COPd (declared COP)			2.23	2.10	1.99	2.05
		Power input kW			0.91	0.97	1.85	1.92
TBivalent	Tbiv (bivalent temperature) °C				2			
		Pdh (declared heating cap) kW			1.24		2.09	2.14
		COPd (declared COP)			4.16	4.00	3.97	4.12
		Power input kW			0.30	0.31	0.53	0.52
B Condition (2°C)	Pdh (declared heating cap) kW				1.24		2.09	2.14
		COPd (declared COP)			4.16	4.00	3.97	4.12
C Condition (7°C)	Power input kW				0.30	0.31	0.53	0.52
		Pdh (declared heating cap) kW			1.03		1.47	1.49
D Condition (12°C)	COPd (declared COP)				5.57	5.37	4.81	4.74
		Power input kW				0.19		0.31
Cooling	Cdc (Degradation cooling)						0.25	
		Heating					0.25	
Cooling function included					Yes			
Heating function included					Yes			
Average climate included					Yes			
Cold season included					No			
Warm season included					Yes			
Ecolabel logo					No			
Eurovent	Sound power level outdoor	Cooling	Nom.	dBa	59	61	62	63
		Heating	Nom.	dBa	48	51	56	60
	Piping length	Cooling	Measuring condition	m	5.0		5.00	

Nominal cooling capacities are based on: indoor temperature: 27°CDB, 19°CWB, outdoor temperature: 35°CDB, equivalent refrigerant piping: 5m, level difference: 0m. |

Nominal heating capacities are based on: indoor temperature: 20°CDB, outdoor temperature: 7°CDB, 6°CWB, equivalent refrigerant piping: 5m, level difference: 0m. |

See separate drawing for operation range |

See separate drawing for electrical data

Technical specifications					FNA25A9 + RXM25R	FNA35A9 + RXM35R	FNA50A9 + RXM50R	FNA60A9 + RXM60R
Indoor unit					-			
Outdoor unit					-			
Cooling capacity	Nom.	kW			2.60	3.40	5.00	6.00
		Btu/h			8,872	11,600	17,100	20,500
		kcal/h			2,236	2,923	4,299	5,159
Heating capacity	Nom.	kW			3.20	4.00	5.80	7.00
		Btu/h			10,919	13,600	19,800	23,900
		kcal/h			2,752	3,439	4,987	6,019
Power input	Cooling	Nom.	kW	0.68	1.10	1.48	2.22	
	Heating	Nom.	kW	0.80	1.15	1.74	2.25	
Nominal efficiency	EER			3.80	3.09	3.38	2.70	
	COP			4.00	3.48	3.34	3.11	
	Annual energy consumption kWh			342	550	740	1,111	
	Energy labeling Directive	Cooling				A	B	A
Heating					A	B	C	D
Space cooling	Energy efficiency class				A+			
	Capacity	Pdesign	kW	2.60	3.40	5.00	6.00	
	SEER			5.68	5.70	5.77	5.56	
	Annual energy consumption kWh/a			160	209	303	378	

2 Specifications

1 - 1 RXM-R

Technical specifications			FNA25A9 + RXM25R	FNA35A9 + RXM35R	FNA50A9 + RXM50R	FNA60A9 + RXM60R
Space heating (Average climate)	Energy efficiency class		A+			
	Capacity Pdesign	kW	2.80	2.90	4.00	4.60
	SCOP/A		4.24	4.05	4.09	4.16
	SCOPnet/A		4.28	4.08	4.12	4.19
	Pdh Heating capacity at -10°	kW	2.16	2.41	3.56	3.94
	Annual energy consumption	kWh/a	924	1,002	1,369	1,547
	Required back up heating cap at design conditions	kW	0.64	0.49	0.44	0.66
Space heating (Warm climate)	Energy efficiency class		A+++		A++	
	Capacity Pdesignh	kW	1.51	1.57	2.15	2.48
	SCOP		5.43	5.10	4.87	5.02
	SCOPnet		5.50	5.17	4.93	5.08
	Annual energy consumption	kWh/a	389	431	618	691
	Required back up heating cap at design conditions	kW	0.00			
Space cooling	A Pdc	kW	2.60	3.40	5.00	6.00
	Condition EERd		3.80	3.09	3.38	2.70
	(35°C - 27/19) Power input	kW	0.68	1.10	1.48	2.22
	B Condition (30°C - 27/19) Pdc	kW	1.92	2.50	3.68	4.42
Space cooling	B Condition (30°C - 27/19) EERd		5.17	4.41	5.02	4.64
	Power input	kW	0.37	0.57	0.73	0.95
	C Pdc	kW	1.27	1.61	2.37	2.84
	Condition EERd		8.97	9.38	7.23	7.20
	(25°C - 27/19) Power input	kW	0.14	0.17	0.33	0.39
	D Pdc	kW	1.33	1.46	1.74	2.34
	Condition EERd		10.18	10.14	10.72	10.44
	(20°C - 27/19) Power input	kW	0.13	0.14	0.16	0.22
Space heating (Average climate)	TOL Tol (temperature operating limit)	°C	-15			
	Pdh (declared heating cap)	kW	1.93	2.15	3.59	3.72
	COPd (declared COP)		2.20	2.21	1.88	1.78
	Power input	kW	0.88	0.97	1.91	2.09
	TBivalent Tbiv (bivalent temperature)	°C	-7			
	Pdh (declared heating cap)	kW	2.48	2.57	3.54	4.07
	COPd (declared COP)		2.80	2.71	2.90	2.82
	Power input	kW	0.89	0.95	1.22	1.44
	A Pdh (declared heating cap)	kW	2.48	2.57	3.54	4.07
	Condition COPd (declared COP)		2.80	2.71	2.90	2.82
	(-7°C) Power input	kW	0.89	0.95	1.22	1.44
	B Pdh (declared heating cap)	kW	1.51	1.57	2.15	2.48
	Condition COPd (declared COP)		4.18	4.01	4.13	4.22
	(2°C) Power input	kW	0.36	0.39	0.52	0.59
	C Pdh (declared heating cap)	kW	1.00	1.02	1.66	1.59
	Condition COPd (declared COP)		5.51	5.16	5.08	
	(7°C) Power input	kW	0.18	0.20	0.33	0.31
	D Pdh (declared heating cap)	kW	1.17	1.19	1.96	1.95
	Condition COPd (declared COP)		6.80	6.35	6.16	6.19
	(12°C) Power input	kW	0.17	0.19	0.32	
Power consumption in other than active mode	Crankcase heater Cooling PCK	kW	-	0.000		
	Heating PCK	kW	-	0.000		
	Off mode Cooling POFF	kW	14.0	0.014	0.015	
	Heating POFF	kW	14.0	0.014	0.015	
	Standby mode Cooling PSB	kW	14.0	0.014	0.015	
	Heating PSB	kW	14.0	0.014	0.015	
	Thermostat-off mode Cooling PTO	kW	7.0	0.007	0.009	
	Heating PTO	kW	7.0	0.007	0.009	
Space heating (Warm climate)	TOL Tol (temperature operating limit)	°C	-15			

2 Specifications

1 - 1 RXM-R

2

Technical specifications				FNA25A9 + RXM25R	FNA35A9 + RXM35R	FNA50A9 + RXM50R	FNA60A9 + RXM60R	
Space heating (Warm climate)	TOL	Pdh (declared heating cap) kW		1.93	2.15	3.59	3.72	
		COPd (declared COP)		2.20	2.21	1.88	1.78	
		Power input kW		0.88	0.97	1.91	2.09	
	TBivalent	Tbiv (bivalent temperature) °C		2				
		Pdh (declared heating cap) kW		1.51	1.57	2.15	2.48	
		COPd (declared COP)		4.18	4.01	4.13	4.22	
	B Condition (2°C)	Power input kW		0.36	0.39	0.52	0.59	
		Pdh (declared heating cap) kW		1.51	1.57	2.15	2.48	
		COPd (declared COP)		4.18	4.01	4.13	4.22	
	C Condition (7°C)	Power input kW		0.36	0.39	0.52	0.59	
		Pdh (declared heating cap) kW		1.00	1.02	1.66	1.59	
		COPd (declared COP)		5.51	5.16	5.08		
	D Condition (12°C)	Power input kW		0.18	0.20	0.33	0.31	
		Pdh (declared heating cap) kW		1.17	1.19	1.96	1.95	
COPd (declared COP)		6.80	6.35	6.16	6.19			
Cooling	Cdc (Degradation cooling)				0.25			
Heating	Cdh (Degradation heating)				0.25			
Cooling function included				Yes				
Heating function included				Yes				
Average climate included				Yes				
Cold season included				No				
Warm season included				Yes				
Ecolabel logo				No		-		
Eurovent	Sound power level outdoor	Cooling	Nom.	dBa	59	61	62	63
	Sound power level indoor	Cooling	Nom.	dBa	53		56	
	Piping length	Cooling	Measuring condition	m	5.0	5.00		

Nominal cooling capacities are based on: indoor temperature: 27°CDB, 19°CWB, outdoor temperature: 35°CDB, equivalent refrigerant piping: 5m, level difference: 0m. |
 Nominal heating capacities are based on: indoor temperature: 20°CDB, outdoor temperature: 7°CDB, 6°CWB, equivalent refrigerant piping: 5m, level difference: 0m. |
 See separate drawing for operation range |
 See separate drawing for electrical data

Technical specifications				FCAG35B + RXM35R	FCAG50B + RXM50R	FCAG60B + RXM60R	
Indoor unit				-		FCAG50BVEB	FCAG60BVEB
Outdoor unit				-		RXM50R2V1B	RXM60R2V1B
Cooling capacity	Nom.		kW	3.50	5.00	5.70	
	Nom.		Btu/h	11,900	17,100	19,400	
	Nom.		kcal/h	3,009	4,299	4,901	
Heating capacity	Nom.		kW	4.20	6.00	7.00	
	Nom.		Btu/h	14,300	20,500	23,900	
	Nom.		kcal/h	3,611	5,159	6,019	
Power input	Cooling	Nom.	kW	0.94	1.40	1.72	
	Heating	Nom.	kW	1.11	1.62	2.07	
Nominal efficiency	EER			3.72	3.58	3.31	
	COP			3.77	3.70	3.38	
	Annual energy consumption		kWh	470	698	861	
	Energy labeling Directive	Cooling		A		C	
Space cooling	Energy efficiency class			A++			
	Capacity	Pdesign	kW	3.50	5.00	5.70	
	SEER			6.35	6.54	6.40	
	Annual energy consumption		kWh/a	193	266	312	
Space heating (Average climate)	Energy efficiency class			A++	A+		
	Capacity	Pdesign	kW	3.32	4.36	4.71	
	SCOP/A			4.90	4.30	4.20	
	SCOPnet/A			4.96	4.33	4.22	
	Pdh Heating capacity at -10°		kW	2.60	3.87	4.12	
	Annual energy consumption		kWh/a	948	1,419	1,569	
	Required back up heating cap at design conditions		kW	0.72	0.49	0.59	
	Energy efficiency class			A+++			
Space heating (Warm climate)	Capacity	Pdesign	kW	1.79	2.34	2.53	
	SCOP			6.27	5.26	5.36	
	SCOPnet			6.36	5.31	5.41	
	Annual energy consumption		kWh/a	400	623	661	
	Required back up heating cap at design conditions		kW	0.00			

2 Specifications

1 - 1 RXM-R

Technical specifications				FCAG35B + RXM35R	FCAG50B + RXM50R	FCAG60B + RXM60R	
Space cooling	A	Pdc	kW	3.50	5.00	5.68	
		Condition (35°C - 27/19)	EERd	3.72	3.58	3.31	
	B	Condition (30°C - 27/19)	Pdc	kW	2.60	3.67	4.16
		EERd	5.33	5.17	4.67		
Space cooling	C	Power input	kW	0.49	0.71	0.89	
		EERd	9.52	8.52	7.87		
	D	Power input	kW	0.18	0.28	0.34	
		EERd	12.25	10.69	12.03		
	TOL	Power input	kW	0.12	0.17	0.13	
		Tol (temperature operating limit)	°C		-15		
Space heating (Average climate)	TBivalent	Pdh (declared heating cap)	kW	2.04	3.89	4.04	
		COPd (declared COP)		2.50	2.04	2.08	
		Power input	kW	0.82	1.91	1.94	
	TBivalent	Tbiv (bivalent temperature)	°C		-7		
		Pdh (declared heating cap)	kW	2.94	3.86	4.17	
		COPd (declared COP)		3.10	2.81	2.56	
	A	Power input	kW	0.95	1.37	1.63	
		Pdh (declared heating cap)	kW	2.94	3.86	4.17	
		COPd (declared COP)		3.10	2.81	2.56	
	Condition (-7°C)	Power input	kW	0.95	1.37	1.63	
		Pdh (declared heating cap)	kW	1.79	2.34	2.53	
	B	Condition (2°C)	COPd (declared COP)		4.98	4.38	4.30
		Power input	kW	0.36	0.53	0.59	
	C	Condition (7°C)	Pdh (declared heating cap)	kW	1.15	1.54	1.64
		COPd (declared COP)		6.20	5.31	5.28	
	Condition (7°C)	Power input	kW	0.19	0.29	0.31	
		Pdh (declared heating cap)	kW	1.24	1.79	1.46	
	D	Condition (12°C)	COPd (declared COP)		7.88	6.47	6.51
		Power input	kW	0.16	0.28	0.22	
	Power consumption in other than active mode	Crankcase heater	Cooling PCK	kW		0.000	
			Heating PCK	kW		0.000	
		Off mode	Cooling POFF	kW	0.014		0.007
			Heating POFF	kW	0.014		0.007
		Standby mode	Cooling PSB	kW	0.014		0.007
Heating PSB			kW	0.014		0.007	
Thermostat-off mode		Cooling PTO	kW		0.007		
		Heating PTO	kW		0.007		
Space heating (Warm climate)		TOL	Tol (temperature operating limit)	°C		-15	
Space heating (Warm climate)		TBivalent	Pdh (declared heating cap)	kW	2.04	3.89	4.04
	COPd (declared COP)			2.50	2.04	2.08	
	Power input		kW	0.82	1.91	1.94	
	TBivalent	Tbiv (bivalent temperature)	°C		2		
		Pdh (declared heating cap)	kW	1.79	2.34	2.53	
		COPd (declared COP)		4.98	4.38	4.30	
	B	Power input	kW	0.36	0.53	0.59	
		Pdh (declared heating cap)	kW	1.79	2.34	2.53	
		COPd (declared COP)		4.98	4.38	4.30	
	Condition (2°C)	Power input	kW	0.36	0.53	0.59	
		Pdh (declared heating cap)	kW	1.15	1.54	1.64	
	C	Condition (7°C)	COPd (declared COP)		6.20	5.31	5.28
		Power input	kW	0.19	0.29	0.31	
	Condition (7°C)	Pdh (declared heating cap)	kW	1.24	1.79	1.46	
		COPd (declared COP)		7.88	6.47	6.51	
	D	Condition (12°C)	Power input	kW	0.16	0.28	0.22
		Cdc (Degradation cooling)			0.25		
	Heating	Cdh (Degradation heating)			0.25		
	Cooling function included				Yes		
	Heating function included				Yes		
	Average climate included				Yes		
	Cold season included				No		
	Warm season included				Yes		

2 Specifications

1 - 1 RXM-R

2

Technical specifications					FCAG35B + RXM35R	FCAG50B + RXM50R	FCAG60B + RXM60R
Eurovent	Sound power level outdoor	Cooling	Nom.	dBa	61	62	63
	Sound power level indoor	Cooling	Nom.	dBa	49		51
	Piping length	Cooling	Measuring condition	m	5.00		

Nominal cooling capacities are based on: indoor temperature: 27°CDB, 19°CWB, outdoor temperature: 35°CDB, equivalent refrigerant piping: 5m, level difference: 0m. |
 Nominal heating capacities are based on: indoor temperature: 20°CDB, outdoor temperature: 7°CDB, 6°CWB, equivalent refrigerant piping: 5m, level difference: 0m. |
 See separate drawing for operation range |
 See separate drawing for electrical data

Technical specifications					FBA35A9 + RXM35R	FBA50A9 + RXM50R	FBA60A9 + RXM60R		
Indoor unit					-	FBA50A2VEB9	FBA60A2VEB9		
Outdoor unit					-	RXM50R2V1B	RXM60R2V1B		
Cooling capacity	Nom.			kW	3.40	5.00	5.70		
	Nom.			Btu/h	11,600	17,100	19,400		
	Nom.			kcal/h	2,923	4,299	4,901		
Heating capacity	Nom.			kW	4.00	5.50	7.00		
	Nom.			Btu/h	13,600	18,800	23,900		
	Nom.			kcal/h	3,439	4,729	6,019		
Power input	Cooling	Nom.		kW	0.85	1.41	1.64		
	Heating	Nom.		kW	1.00	1.44	1.89		
Nominal efficiency	EER				4.02	3.55	3.48		
	COP				4.02	3.83	3.71		
	Annual energy consumption				kWh	423	704	819	
	Energy labeling Directive					A	A		
Space cooling	Energy efficiency class				A++		A+		
	Capacity	Pdesign		kW	3.40	5.00	5.70		
	SEER				6.23	6.27	5.91		
	Annual energy consumption				kWh/a	191	279	337	
Space heating (Average climate)	Energy efficiency class				A+				
	Capacity	Pdesign		kW	2.90	4.40	4.60		
	SCOP/A				4.07	4.06	4.01		
	SCOPnet/A				4.11	4.08	4.03		
	Pd _h Heating capacity at -10°				kW	2.41	3.73	3.99	
	Annual energy consumption				kWh/a	996	1,517	1,607	
	Required back up heating cap at design conditions				kW	0.49	0.67	0.61	
	Energy efficiency class				A+++		A+		
Space heating (Warm climate)	Capacity	Pdesign _h		kW	1.57	2.37	2.44		
	SCOP				5.12	4.47	4.43		
	SCOPnet				5.19	4.49	4.44		
	Annual energy consumption				kWh/a	429	741	770	
	Required back up heating cap at design conditions				kW	0.00			
Space cooling	A	P _{dc}		kW	3.40	5.00	5.70		
	Condition (35°C - 27/19)	EER _d			4.02	3.55	3.48		
		Power input			kW	0.85	1.41	1.64	
	B Condition (30°C - 27/19)				P _{dc}	kW	2.51	3.64	4.20
Space cooling	B Condition (30°C - 27/19)				EER _d	5.54	5.26	5.05	
					Power input	kW	0.45	0.69	0.83
	C				P _{dc}	kW	1.73	2.36	2.70
	Condition (25°C - 27/19)	EER _d			8.13	8.41	7.97		
		Power input			kW	0.21	0.28	0.34	
	D				P _{dc}	kW	1.61	1.98	2.13
	Condition (20°C - 27/19)	EER _d			9.06	10.52	8.54		
		Power input			kW	0.18	0.19	0.25	

2 Specifications

1 - 1 RXM-R

Technical specifications				FBA35A9 + RXM35R	FBA50A9 + RXM50R	FBA60A9 + RXM60R	
Space heating (Average climate)	TOL	Tol (temperature operating limit) °C		-15			
		Pdh (declared heating cap) kW	2.15	3.47	3.85		
		COPd (declared COP)	2.37	1.95	2.11		
		Power input kW		0.91	1.78	1.82	
	TBivalent	Tbiv (bivalent temperature) °C		-7			
		Pdh (declared heating cap) kW	2.57	3.89	4.09		
		COPd (declared COP)	2.73	3.09	3.01		
		Power input kW		0.94	1.26	1.36	
	A	Pdh (declared heating cap) kW		2.57	3.89	4.09	
		COPd (declared COP)		2.73	3.09	3.01	
		Power input kW		0.94	1.26	1.36	
	Condition (-7°C)	Pdh (declared heating cap) kW		1.57	2.37	2.44	
		COPd (declared COP)		4.03	4.20	4.18	
		Power input kW		0.39	0.56	0.58	
	B	Pdh (declared heating cap) kW		1.02	1.61	1.60	
COPd (declared COP)		5.18	4.55	4.41			
Power input kW		0.20	0.35	0.36			
Condition (7°C)	Pdh (declared heating cap) kW		1.19	1.58	1.79		
	COPd (declared COP)		6.38	5.23	5.32		
	Power input kW		0.19	0.30	0.34		
Power consumption in other than active mode	Crankcase heater	Cooling PCK kW	0.000				
		Heating PCK kW	0.000				
	Off mode	Cooling POFF kW	0.007	0.013			
		Heating POFF kW	0.007	0.013			
	Standby mode	Cooling PSB kW	0.007	0.013			
		Heating PSB kW	0.007	0.013			
	Thermostat-off mode	Cooling PTO kW	0.007	0.002			
		Heating PTO kW	0.007	0.002			
	Space heating (Warm climate)	TOL	Tol (temperature operating limit) °C		-15		
	Space heating (Warm climate)	TOL	Pdh (declared heating cap) kW		2.15	3.47	3.85
COPd (declared COP)			2.37	1.95	2.11		
Power input kW			0.91	1.78	1.82		
TBivalent		Tbiv (bivalent temperature) °C		2			
		Pdh (declared heating cap) kW	1.57	2.37	2.44		
		COPd (declared COP)	4.03	4.20	4.18		
		Power input kW		0.39	0.56	0.58	
B		Pdh (declared heating cap) kW		1.57	2.37	2.44	
		COPd (declared COP)		4.03	4.20	4.18	
		Power input kW		0.39	0.56	0.58	
Condition (2°C)		Pdh (declared heating cap) kW		1.02	1.61	1.60	
		COPd (declared COP)		5.18	4.55	4.41	
		Power input kW		0.20	0.35	0.36	
C		Pdh (declared heating cap) kW		1.19	1.58	1.79	
		COPd (declared COP)		6.38	5.23	5.32	
	Power input kW		0.19	0.30	0.34		
Condition (12°C)							
Cooling	Cdc (Degradation cooling)		0.25				
Heating	Cdh (Degradation heating)		0.25				
Cooling function included			Yes				
Heating function included			Yes				
Average climate included			Yes				
Cold season included			No				
Warm season included			Yes				
Eurovent	Sound power level outdoor	Cooling	Nom.	61	62	63	
		Cooling	Nom.	60		56	
	Sound power level indoor	Cooling	Measuring condition	m			
Piping length			5.00				

Nominal cooling capacities are based on: indoor temperature: 27°CDB, 19°CWB, outdoor temperature: 35°CDB, equivalent refrigerant piping: 5m, level difference: 0m. |
 Nominal heating capacities are based on: indoor temperature: 20°CDB, outdoor temperature: 7°CDB, 6°CWB, equivalent refrigerant piping: 5m, level difference: 0m. |
 See separate drawing for operation range |
 See separate drawing for electrical data

Technical specifications				FHA35A9 + RXM35R	FHA50A9 + RXM50R	FHA60A9 + RXM60R
Outdoor unit				-	RXM50R2V1B	RXM60R2V1B
Cooling capacity	Nom.	kW		3.40	5.00	5.70
	Nom.	Btu/h		11,600	17,100	19,400
	Nom.	kcal/h		2,923	4,299	4,901

2 Specifications

1 - 1 RXM-R

2

Technical specifications			FHA35A9 + RXM35R	FHA50A9 + RXM50R	FHA60A9 + RXM60R
Heating capacity	Nom.	kW	4.00	6.00	7.20
	Nom.	Btu/h	13,600	20,500	24,600
	Nom.	kcal/h	3,439	5,159	6,191
Power input	Cooling	Nom. kW	0.91	1.56	1.73
	Heating	Nom. kW	0.98	1.79	2.17
Nominal efficiency	EER		3.73	3.21	3.29
	COP		4.08	3.35	3.32
	Annual energy consumption	kWh	456	779	866
	Energy labeling	Cooling Heating Directive	A	A	C
Space cooling	Energy efficiency class		A++		A+
	Capacity	Pdesign kW	3.40	5.00	5.70
	SEER		6.24	5.92	6.08
	Annual energy consumption	kWh/a	191	295	328
Space heating (Average climate)	Energy efficiency class		A+		A
	Capacity	Pdesign kW	3.10	4.35	4.71
	SCOP/A		4.43	3.86	3.87
	SCOPnet/A		4.47	3.88	3.89
	Pdh Heating capacity at -10°	kW	2.64	3.85	4.08
	Annual energy consumption	kWh/a	979	1,578	1,704
	Required back up heating cap at design conditions	kW	0.46	0.50	0.63
Space heating (Warm climate)	Energy efficiency class		A+++	A+	A++
	Capacity	Pdesignh kW	1.67	2.33	2.54
	SCOP		5.72	4.59	4.61
	SCOPnet		5.83	4.64	4.67
	Annual energy consumption	kWh/a	409	711	771
	Required back up heating cap at design conditions	kW		0.00	
Space cooling	A	Pdc kW	3.40	5.00	5.70
	Condition	EERd	3.73	3.21	3.29
	(35°C - 27/19)	Power input kW	0.91	1.56	1.73
	B Condition (30°C - 27/19)	Pdc kW	2.51	3.69	4.43
Space cooling	B Condition (30°C - 27/19)	EERd	5.28	5.04	4.88
	B Condition (30°C - 27/19)	Power input kW	0.48	0.73	0.91
	C	Pdc kW	1.68	2.37	2.85
	Condition	EERd	9.59	8.25	8.34
Space cooling	(25°C - 27/19)	Power input kW	0.18	0.29	0.34
	D	Pdc kW	1.64	2.31	2.26
	Condition	EERd	11.71	10.39	10.97
	(20°C - 27/19)	Power input kW	0.14	0.22	0.21
Space heating (Average climate)	TOL	Tol (temperature operating limit) °C		-15	
		Pdh (declared heating cap) kW	2.47	3.86	3.92
		COPd (declared COP)	2.23		1.97
		Power input kW	1.11	1.96	1.99
	TBivalent	Tbiv (bivalent temperature) °C		-7	
		Pdh (declared heating cap) kW	2.74	3.85	4.12
		COPd (declared COP)	2.94	2.61	2.64
		Power input kW	0.93	1.48	1.56
	A	Pdh (declared heating cap) kW	2.74	3.85	4.12
	Condition	COPd (declared COP)	2.94	2.61	2.64
	(-7°C)	Power input kW	0.93	1.48	1.56
	B	Pdh (declared heating cap) kW	1.67	2.33	2.54
	Condition	COPd (declared COP)	4.32	3.95	3.96
	(2°C)	Power input kW	0.39	0.59	0.64
	C	Pdh (declared heating cap) kW	1.14	1.54	1.63
	Condition	COPd (declared COP)	5.83	4.62	4.60
(7°C)	Power input kW	0.20	0.33	0.35	
D	Pdh (declared heating cap) kW	1.34	1.80	1.74	
Condition	COPd (declared COP)	7.24		5.65	
(12°C)	Power input kW	0.19	0.32	0.31	

2 Specifications

1 - 1 RXM-R

Technical specifications					FHA35A9 + RXM35R	FHA50A9 + RXM50R	FHA60A9 + RXM60R
Power consumption in other than active mode	Crankcase heater	Cooling	PCK	kW	0.000		
		Heating	PCK	kW	0.000		
	Off mode	Cooling	POFF	kW	0.014	0.015	
		Heating	POFF	kW	0.014	0.015	
	Standby mode	Cooling	PSB	kW	0.014	0.015	
		Heating	PSB	kW	0.014	0.015	
	Thermostat-off mode	Cooling	PTO	kW	0.010		
		Heating	PTO	kW	0.010		
Space heating (Warm climate)	TOL	Tol (temperature operating limit) °C			-15		
		PdH (declared heating cap) kW			2.47	3.86	3.92
Space heating (Warm climate)	TOL	COPd (declared COP)			2.23	1.97	
		Power input kW			1.11	1.96	1.99
	TBivalent	Tbiv (bivalent temperature) °C			2		
		PdH (declared heating cap) kW			1.67	2.33	2.54
		COPd (declared COP)			4.32	3.95	3.96
		Power input kW			0.39	0.59	0.64
	B	PdH (declared heating cap) kW			1.67	2.33	2.54
		COPd (declared COP)			4.32	3.95	3.96
	Condition (2°C)	Power input kW			0.39	0.59	0.64
		PdH (declared heating cap) kW			1.14	1.54	1.63
	Condition (7°C)	COPd (declared COP)			5.83	4.62	4.60
		Power input kW			0.20	0.33	0.35
	D	PdH (declared heating cap) kW			1.34	1.80	1.74
		COPd (declared COP)			7.24	5.65	
	Condition (12°C)	Power input kW			0.19	0.32	0.31
		Cooling	Cdc (Degradation cooling)			0.25	
Heating	Cdh (Degradation heating)			0.25			
Cooling function included					Yes		
Heating function included					Yes		
Average climate included					Yes		
Cold season included					No		
Warm season included					Yes		
Eurovent	Sound power level outdoor	Cooling	Nom.	dBa	61	62	63
	Sound power level indoor	Cooling	Nom.	dBa	53	54	
	Piping length	Cooling	Measuring condition	m	5.00		

Nominal cooling capacities are based on: indoor temperature: 27°CDB, 19°CWB, outdoor temperature: 35°CDB, equivalent refrigerant piping: 5m, level difference: 0m. |

Nominal heating capacities are based on: indoor temperature: 20°CDB, outdoor temperature: 7°CDB, 6°CWB, equivalent refrigerant piping: 5m, level difference: 0m. |

See separate drawing for operation range |

See separate drawing for electrical data

Technical specifications					FVXM25A + RXM25R	FVXM35A + RXM35R	FVXM50A + RXM50R		
Cooling capacity	Min.				kW	1.30	1.40		
	Min.				Btu/h	4,400	4,800		
	Min.				kcal/h	1,118	1,204		
	Nom.				kW	2.40	3.40	5.00	
	Nom.				Btu/h	8,200	11,600	17,100	
	Nom.				kcal/h	2,064	2,923	4,299	
	Max.				kW	3.50	4.00	5.80	
	Max.				Btu/h	11,900	13,600	19,800	
Heating capacity	Max.				kcal/h	3,009	3,439	4,987	
	Min.				kW	1.30	1.40		
	Min.				Btu/h	4,400	4,800		
	Min.				kcal/h	1,100	1,200		
	Nom.				kW	3.40	4.50	5.80	
	Nom.				Btu/h	11,600	15,400	19,800	
	Nom.				kcal/h	2,923	3,869	4,987	
	Max.				kW	4.70	5.80	8.10	
Power input	Max.				Btu/h	16,000	19,800	27,600	
	Max.				kcal/h	4,041	4,987	6,965	
	Cooling	Nom.				kW	0.52	0.83	1.26
			kW	0.75	1.18	1.49			
Nominal efficiency	EER					4.63	4.08	3.97	
	COP					4.55	3.82	3.90	
	Annual energy consumption					kWh	259	417	630
	Energy labeling Directive	Cooling				A			
Heating					A				

2 Specifications

1 - 1 RXM-R

2

Technical specifications				FVXM25A + RXM25R	FVXM35A + RXM35R	FVXM50A + RXM50R
Space cooling	Capacity Pdesign		kW	2.40	3.40	5.00
	Energy efficiency class			A+++		A++
	SEER			8.55	8.11	7.30
	Annual energy consumption		kWh/a	98	147	240
Space heating (Average climate)	Capacity Pdesign		kW	2.30	2.80	4.10
	Energy efficiency class				A++	A+
	SCOP/A			4.65	4.63	4.31
	SCOPnet/A			4.69	4.67	4.34
	Pdh Heating capacity at -10°		kW	2.00	2.34	3.55
	Annual energy consumption		kWh/a	692	847	1,332
	Required back up heating cap at design conditions		kW	0.30	0.46	0.55
	Space heating (Warm climate)	Capacity Pdesign		kW	1.24	1.51
Energy efficiency class					A+++	A++
SCOP				5.59	6.15	4.89
SCOPnet				5.73	6.29	4.95
Annual energy consumption			kWh/a	311	344	633
Required back up heating cap at design conditions			kW		0.00	
Space cooling	A	Pdc	kW	2.40	3.40	5.00
	Condition	EERd		4.63	4.08	3.97
	(35°C - 27/19)	Power input	kW	0.52	0.83	1.26
	B	Pdc	kW	1.77	2.51	3.69
	Condition	EERd		6.50	5.97	5.79
	(30°C - 27/19)	Power input	kW	0.27	0.42	0.64
	C	Pdc	kW	1.14	1.62	2.37
	Condition	EERd		10.81	9.75	8.65
	(25°C - 27/19)	Power input	kW	0.11	0.17	0.27
	D	Pdc	kW	1.15	1.63	2.29
	Condition	EERd		15.74	16.31	11.76
	(20°C - 27/19)	Power input	kW	0.07	0.10	0.19
Space heating (Average climate)	TOL	Tol (temperature operating limit)	°C		-20	
		Pdh (declared heating cap)	kW	1.87	1.89	3.31
		COPd (declared COP)		1.63	1.65	1.62
		Power input	kW		1.15	2.04
	TBivalent	Tbiv (bivalent temperature)	°C		-7	
		Pdh (declared heating cap)	kW	2.04	2.48	3.63
		COPd (declared COP)		2.81	2.40	3.14
		Power input	kW	0.73	1.03	1.16
	A	Pdh (declared heating cap)	kW	2.04	2.48	3.63
	Condition	COPd (declared COP)		2.81	2.40	3.14
	(-7°C)	Power input	kW	0.73	1.03	1.16
	B	Pdh (declared heating cap)	kW	1.24	1.51	2.21
	Condition	COPd (declared COP)		4.95	4.86	4.45
	(2°C)	Power input	kW	0.25	0.31	0.50
	C	Pdh (declared heating cap)	kW	1.05	1.06	1.78
	Condition	COPd (declared COP)		5.95	6.32	5.16
	(7°C)	Power input	kW	0.18	0.17	0.34
	D	Pdh (declared heating cap)	kW	1.16	1.17	1.81
	Condition	COPd (declared COP)		7.21	7.71	6.05
	(12°C)					
Space heating (Average climate)	D Condition (12°C)	Power input	kW	0.16	0.15	0.30

2 Specifications

1 - 1 RXM-R

Technical specifications				FVXM25A + RXM25R	FVXM35A + RXM35R	FVXM50A + RXM50R	
Space heating (Warm climate)	TOL	Tol (temperature operating °C limit)		-20			
		Pd _h (declared heating cap) kW		1.87	1.89	3.31	
		COP _d (declared COP)		1.63	1.65	1.62	
	Power input kW		1.15			2.04	
	TBivalent	T _{biv} (bivalent temperature) °C		2			
		Pd _h (declared heating cap) kW		1.24	1.51	2.21	
		COP _d (declared COP)		4.95	4.86	4.45	
		Power input kW		0.25	0.31	0.50	
	B	Pd _h (declared heating cap) kW		1.24	1.51	2.21	
		Condition COP _d (declared COP)		4.95	4.86	4.45	
	(2°C)	Power input kW		0.25	0.31	0.50	
		C		Pd _h (declared heating cap) kW		1.05	1.06
	(7°C)	Condition COP _d (declared COP)		5.95	6.32	5.16	
		Power input kW		0.18	0.17	0.34	
	D	Pd _h (declared heating cap) kW		1.16	1.17	1.81	
Condition COP _d (declared COP)		7.21	7.71	6.05			
(12°C)	Power input kW		0.16	0.15	0.30		
	Power consumption in other than active mode	Off mode	POFF	W	2		
Standby mode		Cooling	PSB	W	2		
		Heating	PSB	W	2		
Thermostat-off mode		PTO	Cooling	W	8		
	Heating		W	10			
Cooling	C _{dc} (Degradation cooling)			0.25			
Heating	C _{dh} (Degradation heating)			0.25			
Cooling function included				Yes			
Heating function included				Yes			
Average climate included				Yes			
Cold season included				No			
Warm season included				Yes			
Eurovent	Sound power level outdoor	Cooling	Nom.	dB _A	59	61	62
	Sound power level indoor	Cooling	Nom.	dB _A	52	53	61
	Piping length	Cooling	Measuring condition	m	5.00		

Nominal cooling capacities are based on: indoor temperature: 27°CDB, 19°CWB, outdoor temperature: 35°CDB, equivalent refrigerant piping: 5m, level difference: 0m. |
 Nominal heating capacities are based on: indoor temperature: 20°CDB, outdoor temperature: 7°CDB, 6°CWB, equivalent refrigerant piping: 5m, level difference: 0m. |
 See separate drawing for operation range |
 See separate drawing for electrical data

Technical specifications				FTXM20R + RXM20R	FTXM20R + RXM20R	FTXM25R + RXM25R	FTXM25R + RXM25R	FTXM35R + RXM35R	FTXM35R + RXM35R
Cooling capacity	Min.			kW		1.30		1.40	
	Min.			Btu/h		4,400		4,800	
	Min.			kcal/h		1,118		1,204	
	Nom.			kW		2.00	2.50	3.40	
	Nom.			Btu/h		6,800	8,500	11,600	
	Nom.			kcal/h		1,720	2,150	2,923	
	Max.			kW		2.60	3.20	4.00	
	Max.			Btu/h		8,900	10,900	13,600	
	Max.			kcal/h		2,236	2,752	3,439	
Heating capacity	Min.			kW		1.30		1.40	
	Min.			Btu/h		4,400		4,800	
	Min.			kcal/h		1,100		1,200	
	Nom.			kW		2.50	2.80	4.00	
	Nom.			Btu/h		8,500	9,600	13,600	
	Nom.			kcal/h		2,150	2,408	3,439	
	Max.			kW		3.50	4.70	5.20	
	Max.			Btu/h		11,900	16,000	17,700	
	Max.			kcal/h		3,009	4,041	4,471	
Power input	Cooling	Nom.	kW		0.44	0.56	0.80		
	Heating	Nom.	kW		0.50	0.56	0.99		
Nominal efficiency	EER				4.57		4.50		4.23
	COP				5.00				4.04
	Annual energy consumption		kWh		219		278		402
	Energy labeling	Cooling					A		
	Heating					A			
Space cooling	Capacity	P _{design}	kW		2.00		2.50		3.40
	Energy efficiency class						A+++		
	SEER						8.65		
	Annual energy consumption		kWh/a		81		101		137

2 Specifications

1 - 1 RXM-R

2

Technical specifications			FTXM20R + RXM20R	FTXM20R + RXM20R	FTXM25R + RXM25R	FTXM25R + RXM25R	FTXM35R + RXM35R	FTXM35R + RXM35R		
Space heating (Average climate)	Capacity Pdesign	kW	2.30		2.40		2.50			
	Energy efficiency class		A+++							
	SCOP/A		5.10							
	SCOPnet/A		5.13		5.14					
	Pdh Heating capacity at -10°	kW	2.24		2.30		2.35			
	Annual energy consumption	kWh/a	631		659		686			
	Required back up heating cap at design conditions	kW	0.06		0.10		0.15			
Space heating (Warm climate)	Capacity Pdesignh	kW	1.24		1.29		1.35			
	Energy efficiency class		A+++							
	SCOP		6.19		6.15		6.18			
	SCOPnet		6.32		6.25		6.28			
	Annual energy consumption	kWh/a	279	280	296		306			
	Required back up heating cap at design conditions	kW	0.00							
	Space cooling	A	Pdc	2.00		2.50		3.40		
Condition (35°C - 27/19)		EERd	4.57		4.50		4.23			
		Power input	0.44		0.56		0.80			
B		Pdc	1.48		1.85		2.51			
Condition (30°C - 27/19)		EERd	6.73		6.52	6.54	6.26	6.27		
		Power input	0.22		0.28		0.40			
C		Pdc	1.10		1.19		1.62			
Condition (25°C - 27/19)		EERd	10.52		10.17	10.14	10.18	10.16		
		Power input	0.10		0.12		0.16			
D		Pdc	1.05		1.17		1.04			
Condition (20°C - 27/19)		EERd	16.53		16.51		16.32			
		Power input	0.06		0.07		0.06			
Space heating (Average climate)		TOL	Tol (temperature operating limit)	°C		-20				
		TBivalent	Pdh (declared heating cap)	kW		2.14				
	COPd (declared COP)				2.29		2.50			
	Power input		kW		0.93		0.86			
	A	Tbiv (bivalent temperature)	°C		-7					
		Pdh (declared heating cap)	kW		2.04		2.13			
		COPd (declared COP)			3.51		3.60			
	Condition (-7°C)	Power input	kW		0.58		0.59			
		Pdh (declared heating cap)	kW		1.24		1.29			
		COPd (declared COP)			5.16		5.14			
	Condition (2°C)	Power input	kW		0.24		0.25			
		Pdh (declared heating cap)	kW		0.96		0.94			
		COPd (declared COP)			6.34		6.26			
	Condition (7°C)	Power input	kW		0.15					
		Pdh (declared heating cap)	kW		0.99		1.08			
		COPd (declared COP)			7.99		7.85			
	Space heating (Average climate)	D Condition (12°C)	Power input	kW		0.12		0.14		
		Space heating (Warm climate)	TOL	Tol (temperature operating limit)	°C		-20			
			TBivalent	Pdh (declared heating cap)	kW		2.14			
	COPd (declared COP)					2.29		2.50		
Power input	kW			0.93		0.86				
B	Tbiv (bivalent temperature)		°C		2					
	Pdh (declared heating cap)		kW		1.24		1.29			
	COPd (declared COP)				5.16		5.14			
Condition (2°C)	Power input		kW		0.24		0.25			
	Pdh (declared heating cap)		kW		1.24		1.29			
	COPd (declared COP)				5.16		5.14			
Condition (7°C)	Power input		kW		0.24		0.25			
	Pdh (declared heating cap)		kW		0.96		0.94			
	COPd (declared COP)				6.34		6.26			
Condition (12°C)	Power input		kW		0.15					
	Pdh (declared heating cap)		kW		0.99		1.08			
	COPd (declared COP)				7.99		7.85			
Condition (12°C)	Power input		kW		0.12		0.14			

2 Specifications

1 - 1 RXM-R

Technical specifications					FTXM20R + RXM20R	FTXM20R + RXM20R	FTXM25R + RXM25R	FTXM25R + RXM25R	FTXM35R + RXM35R	FTXM35R + RXM35R
Power consumption in other than active mode	Off mode	POFF	W							1
mode	Standby mode	Cooling	PSB	W						1
		Heating	PSB	W						1
	Thermostat-off mode	PTO	Cooling	W						6
			Heating	W						7
Cooling	Cdc (Degradation cooling)								0.25	
Heating	Cdh (Degradation heating)								0.25	
Cooling function included										Yes
Heating function included										Yes
Average climate included										Yes
Cold season included										No
Warm season included										Yes
Eurovent	Sound power level outdoor	Cooling	Nom.	dBa	59			58		61
	Sound power level indoor	Cooling	Nom.	dBa		57				58
	Piping length	Cooling	Measuring condition	m			5.00			

Technical specifications					FTXM42R + RXM42R	FTXM42R + RXM42R	FTXM50R + RXM50R	FTXM60R + RXM60R	FTXM71R + RXM71R	
Cooling capacity	Min.			kW			1.70		2.30	
	Min.			Btu/h			5,800		7,800	
	Min.			kcal/h			1,462		1,978	
	Nom.			kW	4.20		5.00	6.00	7.10	
	Nom.			Btu/h	14,300		17,100	20,500	24,200	
	Nom.			kcal/h	3,611		4,299	5,159	6,105	
	Max.			kW	5.00		6.00	7.00	8.50	
	Max.			Btu/h	17,100		20,500	23,900	29,000	
	Max.			kcal/h	4,299		5,159	6,019	7,309	
Heating capacity	Min.			kW			1.70		2.30	
	Min.			Btu/h			5,800		7,800	
	Min.			kcal/h			1,500		2,000	
	Nom.			kW	5.40		5.80	7.00	8.20	
	Nom.			Btu/h	18,400		19,800	23,900	28,000	
	Nom.			kcal/h	4,643		4,987	6,019	7,051	
	Max.			kW	6.00		7.70	8.00	10.20	
	Max.			Btu/h	20,500		26,300	27,300	34,800	
	Max.			kcal/h	5,159		6,621	6,879	8,770	
Power input	Cooling	Nom.		kW	0.97		1.36	1.77	2.34	
	Heating	Nom.		kW	1.31		1.45	1.94	2.57	
Nominal efficiency	EER				4.33		3.68	3.39	3.03	
	COP				4.12		4.00	3.61	3.19	
	Annual energy consumption			kWh	485		679	885	1,172	
	Energy labeling	Cooling			-		A		B	
	Heating					A		D		
Space cooling	Capacity	Pdesign		kW	4.20		5.00	6.00	7.10	
	Energy efficiency class						A++			
	SEER					7.85	7.41	6.90	6.20	
	Annual energy consumption				kWh/a	187	236	304	401	
Space heating (Average climate)	Capacity	Pdesign		kW	4.00		4.60	4.80	6.20	
	Energy efficiency class						A++		A+	
	SCOP/A						4.71	4.30	4.10	
	SCOPnet/A					4.76	4.75	4.34	4.13	
	PdH Heating capacity at -10°				kW	3.67	3.85	3.99	5.01	
	Annual energy consumption				kWh/a	1,189	1,368	1,562	2,117	
	Required back up heating cap at design conditions				kW	0.33	0.75	0.81	1.19	
	Space heating (Warm climate)	Capacity	Pdesignh		kW	2.15		2.48	2.63	3.34
		Energy efficiency class						A+++		
SCOP					6.15	5.82	5.51	5.74		
SCOPnet					6.24	5.93	5.60	5.81		
Annual energy consumption				kWh/a	490	596	668	814		
Required back up heating cap at design conditions				kW		0.00				

2 Specifications

1 - 1 RXM-R

2

Technical specifications				FTXM42R + RXM42R	FTXM42R + RXM42R	FTXM50R + RXM50R	FTXM60R + RXM60R	FTXM71R + RXM71R		
Space cooling	A	Pdc	kW	4.20		5.00	6.00	7.10		
		Condition	EERd	4.33		3.68	3.39	3.03		
		(35°C - 27/19)	Power input	kW	0.97		1.36	1.77	2.34	
	B	Pdc	kW	3.16		3.69	4.43	5.24		
		Condition	EERd	6.18		5.85	4.82	4.88		
		(30°C - 27/19)	Power input	kW	0.51		0.63	0.92	1.07	
	C	Pdc	kW	2.05		2.37	2.85	3.37		
		Condition	EERd	9.24		8.43	8.09	7.39		
		(25°C - 27/19)	Power input	kW	0.22		0.28	0.35	0.46	
	D	Pdc	kW	1.82		1.83	1.93	2.60		
		Condition	EERd	12.40		13.00	13.26	9.69		
		(20°C - 27/19)	Power input	kW	0.14	0.15	0.14	0.15	0.27	
Space heating (Average climate)	TOL	Tol (temperature operating limit)	°C	-20				-15		
		Pdh (declared heating cap)	kW	2.67		3.12		4.23		
		COPd (declared COP)		1.99		2.04		1.75		
		Power input	kW	1.34		1.53		2.42		
	TBivalent	Tbiv (bivalent temperature)	°C	-7						
		Pdh (declared heating cap)	kW	3.76		4.07	4.26	5.49		
		COPd (declared COP)		3.16		2.95	2.68	2.14		
		Power input	kW	1.19		1.38	1.59	2.57		
	A	Pdh (declared heating cap)	kW	3.76		4.07	4.26	5.49		
		Condition	COPd (declared COP)	3.16		2.95	2.68	2.14		
		(-7°C)	Power input	kW	1.19		1.38	1.59	2.57	
	B	Pdh (declared heating cap)	kW	2.16		2.48	2.63	3.34		
		Condition	COPd (declared COP)	4.54		4.80	4.31	4.18		
		(2°C)	Power input	kW	0.48		0.52	0.61	0.80	
	C	Pdh (declared heating cap)	kW	1.43		1.70	1.67	2.32		
		Condition	COPd (declared COP)	6.32		6.02	5.64	5.80		
		(7°C)	Power input	kW	0.23		0.28	0.30	0.40	
	D	Pdh (declared heating cap)	kW	1.54		1.98	1.96	2.38		
		Condition	COPd (declared COP)	7.69		7.18	6.82	7.17		
		(12°C)								
	Space heating (Average climate)	D Condition (12°C)	Power input	kW	0.20		0.28	0.29	0.33	
	Space heating (Warm climate)	TOL	Tol (temperature operating limit)	°C	-20				-15	
			Pdh (declared heating cap)	kW	2.67		3.12		4.23	
			COPd (declared COP)		1.99		2.04		1.75	
Power input			kW	1.34		1.53		2.42		
TBivalent		Tbiv (bivalent temperature)	°C	2						
		Pdh (declared heating cap)	kW	2.16		2.48	2.63	3.34		
		COPd (declared COP)		4.54		4.80	4.31	4.18		
		Power input	kW	0.48		0.52	0.61	0.80		
B		Pdh (declared heating cap)	kW	2.16		2.48	2.63	3.34		
		Condition	COPd (declared COP)	4.54		4.80	4.31	4.18		
		(2°C)	Power input	kW	0.48		0.52	0.61	0.80	
C		Pdh (declared heating cap)	kW	1.43		1.70	1.67	2.32		
		Condition	COPd (declared COP)	6.32		6.02	5.64	5.80		
		(7°C)	Power input	kW	0.23		0.28	0.30	0.40	
D		Pdh (declared heating cap)	kW	1.54		1.98	1.96	2.38		
		Condition	COPd (declared COP)	7.69		7.18	6.82	7.17		
		(12°C)	Power input	kW	0.20		0.28	0.29	0.33	
Power consumption in other than active mode		Off mode	POFF	W	1					
		Standby mode	Cooling	PSB	W	1				
			Heating	PSB	W	1				
		Thermostat-off mode	PTO	Cooling	W	7		12		
Heating				W	13		14		13	
Cooling		Cdc (Degradation cooling)					0.25			
Heating		Cdh (Degradation heating)					0.25			
Cooling function included				Yes						
Heating function included				Yes						
Average climate included				Yes						
Cold season included				No						
Warm season included				Yes						

2 Specifications

1 - 1 RXM-R

Technical specifications					FTXM42R + RXM42R	FTXM42R + RXM42R	FTXM50R + RXM50R	FTXM60R + RXM60R	FTXM71R + RXM71R
Eurovent	Sound power level outdoor	Cooling	Nom.	dBa	62			63	66
	Sound power level indoor	Cooling	Nom.	dBa	60	58	60	62	
	Piping length	Cooling	Measuring condition	m	5.00				

See separate drawing for operation range |

See separate drawing for electrical data |

Nominal cooling capacities are based on: indoor temperature: 27°CDB, 19°CWB, outdoor temperature: 35°CDB, equivalent refrigerant piping: 5m, level difference: 0m. |

Nominal heating capacities are based on: indoor temperature: 20°CDB, outdoor temperature: 7°CDB, 6°CWB, equivalent refrigerant piping: 5m, level difference: 0m.

Technical specifications				FVXM25F + RXM25R	FVXM35F + RXM35R	FVXM50F + RXM50R
Indoor unit				FVXM25FV1B	FVXM35FV1B	FVXM50FV1B
Outdoor unit				RXM25R5V1B	RXM35R5V1B	RXM50R2V1B
Cooling capacity	Min.		kW	1.30		1.40
	Min.		Btu/h	4,435		4,776
	Min.		kcal/h	1,117		1,203
	Nom.		kW	2.50	3.50	5.00
	Nom.		Btu/h	8,530	11,943	17,061
	Nom.		kcal/h	2,150	3,009	4,299
	Max.		kW	3.00	3.80	5.60
	Max.		Btu/h	10,236	12,966	19,107
	Max.		kcal/h	2,579	3,267	4,815
Heating capacity	Min.		kW	1.30		1.40
	Min.		Btu/h	4,435		4,776
	Min.		kcal/h	1,117		1,203
	Nom.		kW	3.40	4.50	5.80
	Nom.		Btu/h	11,601	15,355	19,790
	Nom.		kcal/h	2,923	3,869	4,987
	Max.		kW	4.50	5.00	8.10
	Max.		Btu/h	15,354	17,060	27,638
	Max.		kcal/h	3,869	4,299	6,964
Power input	Cooling	Nom.	kW	0.60	1.09	1.55
	Heating	Nom.	kW	0.77	1.19	1.60
Nominal efficiency	EER			4.20	3.21	3.23
	COP			4.42	3.78	3.63
	Annual energy consumption		kWh	298	545	773
	Energy labeling Directive	Cooling			A	
	Heating			A		
Space cooling	Capacity	Pdesign	kW	2.50	3.50	5.00
	Energy efficiency class				A++	
	SEER			7.20	6.43	6.80
	Annual energy consumption		kWh/a	120	190	257
Space heating (Average climate)	Capacity	Pdesign	kW	2.40	2.90	4.20
	Energy efficiency class				A+	
	SCOP/A			4.56		4.00
	SCOPnet/A			4.59	4.03	4.01
	Pdh Heating capacity at -10°		kW	2.23	2.40	2.23
Space heating (Average climate)	Annual energy consumption		kWh/a	737	1,015	1,471
	Required back up heating cap at design conditions		kW	0.17	0.50	1.97
Space heating (Warm climate)	Capacity	Pdesign	kW	1.29	1.56	2.27
	Energy efficiency class				A+++	A++
	SCOP			5.81	5.44	4.96
	SCOPnet			5.93	5.52	5.01
	Annual energy consumption		kWh/a	311	402	641
	Required back up heating cap at design conditions		kW		0.00	

2 Specifications

1 - 1 RXM-R

2

Technical specifications				FVXM25F + RXM25R	FVXM35F + RXM35R	FVXM50F + RXM50R	
Space cooling	A	Pdc	kW	2.50	3.50	5.00	
		Condition	EERd	4.20	3.21	3.23	
		(35°C - 27/19)	Power input	kW	0.60	1.09	1.55
	B	Pdc	kW	1.84	2.58	3.68	
		Condition	EERd	6.36	4.75	5.07	
		(30°C - 27/19)	Power input	kW	0.29	0.54	0.73
	C	Pdc	kW	1.17	1.68	2.38	
		Condition	EERd	8.43	7.62	8.44	
		(25°C - 27/19)	Power input	kW	0.14	0.22	0.28
	D	Pdc	kW	0.98	0.95	2.29	
		Condition	EERd	11.48	11.50	11.88	
		(20°C - 27/19)	Power input	kW	0.09	0.08	0.19
Space heating (Average climate)	TOL	Tol (temperature operating °C limit)		-15			
		Pdh (declared heating cap)	kW	2.09	2.12	3.96	
		COPd (declared COP)		2.24	1.94	1.82	
		Power input	kW	0.93	1.09	2.18	
	TBivalent	Tbiv (bivalent temperature) °C		-7			
		Pdh (declared heating cap)	kW	2.12	2.57	3.72	
		COPd (declared COP)		3.25	2.40	2.20	
		Power input	kW	0.65	1.07	1.69	
	A	Pdh (declared heating cap)	kW	2.12	2.57	3.72	
		Condition	COPd (declared COP)		3.25	2.40	2.20
		(-7°C)	Power input	kW	0.65	1.07	1.69
	B	Pdh (declared heating cap)	kW	1.29	1.56	2.27	
		Condition	COPd (declared COP)		4.39	4.03	4.32
		(2°C)	Power input	kW	0.29	0.39	0.53
	C	Pdh (declared heating cap)	kW	0.83	1.03	1.80	
		Condition	COPd (declared COP)		5.79	5.11	5.13
		(7°C)	Power input	kW	0.14	0.20	0.35
	Space heating (Average climate)	D	Pdh (declared heating cap)	kW	0.78	1.08	1.91
Condition			COPd (declared COP)		7.27	7.24	6.25
(12°C)			Power input	kW	0.11	0.15	0.31
Space heating (Warm climate)	TOL	Tol (temperature operating °C limit)		-15			
		Pdh (declared heating cap)	kW	2.09	2.12	3.96	
		COPd (declared COP)		2.24	1.94	1.82	
		Power input	kW	0.93	1.09	2.18	
	TBivalent	Tbiv (bivalent temperature) °C		2			
		Pdh (declared heating cap)	kW	1.29	1.56	2.27	
		COPd (declared COP)		4.39	4.03	4.32	
		Power input	kW	0.29	0.39	0.53	
	B	Pdh (declared heating cap)	kW	1.29	1.56	2.27	
		Condition	COPd (declared COP)		4.39	4.03	4.32
		(2°C)	Power input	kW	0.29	0.39	0.53
	C	Pdh (declared heating cap)	kW	0.83	1.03	1.80	
		Condition	COPd (declared COP)		5.79	5.11	5.13
		(7°C)	Power input	kW	0.14	0.20	0.35
	D	Pdh (declared heating cap)	kW	0.78	1.08	1.91	
		Condition	COPd (declared COP)		7.27	7.24	6.25
		(12°C)	Power input	kW	0.11	0.15	0.31
	Power consumption in other than active mode	Off mode	POFF	W	2.0		
Standby mode		Cooling	PSB	W	2.0		
		Heating	PSB	W	2.0		
Thermostat-off mode		PTO	Cooling	W	8.0		
			Heating	W	8.0		
Cooling	Cdc (Degradation cooling)			0.25			
Heating	Cdh (Degradation heating)			0.25			
Cooling function included				Yes			
Heating function included				Yes			
Average climate included				Yes			
Cold season included				No			
Warm season included				Yes			
Ecolabel logo				No			

2 Specifications

1 - 1 RXM-R

Technical specifications					FVXM25F + RXM25R	FVXM35F + RXM35R	FVXM50F + RXM50R
Eurovent	Sound power level outdoor	Cooling	Nom.	dBa	59	61	62
	Sound power level indoor	Cooling	Nom.	dBa	52		57
	Piping length	Cooling	Measuring condition	m	5.0		

See separate drawing for electrical data |

See separate drawing for operation range |

Nominal cooling capacities are based on: indoor temperature: 27°CDB, 19°CWB, outdoor temperature: 35°CDB, equivalent refrigerant piping: 5m, level difference: 0m. |

Nominal heating capacities are based on: indoor temperature: 20°CDB, outdoor temperature: 7°CDB, 6°CWB, equivalent refrigerant piping: 5m, level difference: 0m.

Technical specifications				FTXM20N + RXM20R	FTXM25N + RXM25R	FTXM35N + RXM35R
Indoor unit				FTXM20N2V1B	FTXM25N2V1B	FTXM35N2V1B
Outdoor unit				RXM20R5V1B	RXM25R5V1B	RXM35R5V1B
Cooling capacity	Min.		kW	1.30		1.40
	Min.		Btu/h	4,400		4,800
	Min.		kcal/h	1,118		1,204
	Nom.		kW	2.00	2.50	3.40
	Nom.		Btu/h	6,800	8,500	11,600
	Nom.		kcal/h	1,720	2,150	2,923
	Max.		kW	2.60	3.20	4.00
	Max.		Btu/h	8,900	10,900	13,600
	Max.		kcal/h	2,236	2,752	3,439
Heating capacity	Min.		kW	1.30		1.40
	Min.		Btu/h	4,400		4,800
	Min.		kcal/h	1,100		1,200
	Nom.		kW	2.50	2.80	4.00
	Nom.		Btu/h	8,500	9,600	13,600
	Nom.		kcal/h	2,150	2,408	3,439
	Max.		kW	3.50	4.70	5.20
	Max.		Btu/h	11,900	16,000	17,700
	Max.		kcal/h	3,009	4,041	4,471
Power input	Cooling	Nom.	kW	0.44	0.56	0.80
	Heating	Nom.	kW	0.50	0.56	0.99
Nominal efficiency	EER			4.57	4.50	4.23
	COP			5.00		4.04
	Annual energy consumption		kWh	219	278	402
	Energy labeling Directive	Cooling			A	
	Heating			A		
Space cooling	Capacity	Pdesign	kW	2.00	2.50	3.40
	Energy efficiency class				A+++	
	SEER				8.65	
	Annual energy consumption		kWh/a	81	101	138
Space heating (Average climate)	Capacity	Pdesign	kW	2.30	2.40	2.50
	Energy efficiency class				A+++	
	SCOP/A				5.10	
	SCOPnet/A				5.14	
	Pdh Heating capacity at -10°		kW	2.24	2.30	2.35
Space heating (Average climate)	Annual energy consumption		kWh/a	632	659	687
	Required back up heating cap at design conditions		kW	0.06	0.10	0.15
Space heating (Warm climate)	Capacity	Pdesign	kW	1.24	1.29	1.35
	Energy efficiency class				A+++	
	SCOP			6.19	6.15	6.18
	SCOPnet			6.31	6.26	6.30
	Annual energy consumption		kWh/a	280	294	305
	Required back up heating cap at design conditions		kW		0.00	

2 Specifications

1 - 1 RXM-R

2

Technical specifications				FTXM20N + RXM20R	FTXM25N + RXM25R	FTXM35N + RXM35R
Space cooling	A	Pdc	kW	2.00	2.50	3.40
		Condition	EERd	4.57	4.50	4.23
		(35°C - 27/19)	Power input	kW	0.44	0.56
	B	Pdc	kW	1.47	1.84	2.51
		Condition	EERd	6.88	6.60	6.25
		(30°C - 27/19)	Power input	kW	0.21	0.28
	C	Pdc	kW		1.18	1.61
		Condition	EERd	10.52	10.03	10.19
		(25°C - 27/19)	Power input	kW	0.11	0.12
	D	Pdc	kW		1.05	1.07
		Condition	EERd	16.53	16.37	16.36
		(20°C - 27/19)	Power input	kW	0.06	
Space heating (Average climate)	TOL	Tol (temperature operating limit)	°C		-20	
		Pdh (declared heating cap)	kW		2.14	
		COPd (declared COP)		2.29		2.49
		Power input	kW	0.93		0.86
	TBivalent	Tbiv (bivalent temperature)	°C		-7	
		Pdh (declared heating cap)	kW	2.03	2.12	2.21
		COPd (declared COP)		3.64	3.60	3.50
		Power input	kW	0.56	0.59	0.63
	A	Pdh (declared heating cap)	kW	2.03	2.12	2.21
		Condition	COPd (declared COP)	3.64	3.60	3.50
		(-7°C)	Power input	kW	0.56	0.59
	B	Pdh (declared heating cap)	kW	1.24	1.29	1.34
		Condition	COPd (declared COP)	5.10		5.13
		(2°C)	Power input	kW	0.24	0.25
	C	Pdh (declared heating cap)	kW	0.93	0.94	0.95
		Condition	COPd (declared COP)	6.28		6.22
		(7°C)	Power input	kW		0.15
	Space heating (Average climate)	D	Pdh (declared heating cap)	kW	0.97	0.98
Condition			COPd (declared COP)	7.99		7.81
(12°C)			Power input	kW	0.12	
Space heating (Warm climate)	TOL	Tol (temperature operating limit)	°C		-20	
		Pdh (declared heating cap)	kW		2.14	2.59
		COPd (declared COP)		2.29		2.49
		Power input	kW	0.93		1.04
	TBivalent	Tbiv (bivalent temperature)	°C		2	
		Pdh (declared heating cap)	kW	1.24	1.29	1.34
		COPd (declared COP)		5.10		5.13
		Power input	kW	0.24	0.25	0.26
	B	Pdh (declared heating cap)	kW	1.24	1.29	1.34
		Condition	COPd (declared COP)	5.10		5.13
		(2°C)	Power input	kW	0.24	0.25
	C	Pdh (declared heating cap)	kW	0.93	0.94	0.95
		Condition	COPd (declared COP)	6.28		6.22
		(7°C)	Power input	kW		0.15
	D	Pdh (declared heating cap)	kW	0.97	0.98	1.09
		Condition	COPd (declared COP)	7.99		7.81
		(12°C)	Power input	kW	0.12	
	Power consumption in other than active mode	Off mode	POFF	W		1
Standby mode		Cooling	PSB	W		1
		Heating	PSB	W		1
Thermostat-off mode		PTO	Cooling	W		6
			Heating	W		7
Cooling	Cdc (Degradation cooling)				0.25	
Heating	Cdh (Degradation heating)				0.25	
Cooling function included						Yes
Heating function included						Yes
Average climate included						Yes
Cold season included						No
Warm season included						Yes
Ecolabel logo						No

2 Specifications

1 - 1 RXM-R

Technical specifications					FTXM20N + RXM20R	FTXM25N + RXM25R	FTXM35N + RXM35R
Eurovent	Sound power level outdoor	Cooling	Nom.	dB(A)	59	58	61
	Sound power level indoor	Cooling	Nom.	dB(A)	57		58
	Piping length	Cooling	Measuring condition	m	5.00		

See separate drawing for operation range |

See separate drawing for electrical data |

Nominal cooling capacities are based on: indoor temperature: 27°CDB, 19°CWB, outdoor temperature: 35°CDB, equivalent refrigerant piping: 5m, level difference: 0m. |

Nominal heating capacities are based on: indoor temperature: 20°CDB, outdoor temperature: 7°CDB, 6°CWB, equivalent refrigerant piping: 5m, level difference: 0m.

3 Electrical data

3 - 1 Electrical Data

3

Unit combination restrictions		Power supply				COMP		OFM		IFM		
Outdoor unit	Indoor unit	Hz	Voltage	Voltage range	MCA	MFA	RHz	RLA	kW	FLA	kW	FLA
RXM20N5V1B9	FTXM20R2V1B	50	220	MAX. 50Hz 264V MIN. 50Hz 198V	8,93	10	32,5	1,7	0,048	0,320	0,029	0,30
		50	230									
		50	240									
RXM25N5V1B9	FTXM25R2V1B	50	220	MAX. 50Hz 264V MIN. 50Hz 198V	9,71	13	46,0	2,3	0,040	0,280	0,025	0,30
		50	230									
		50	240									
RXM35N5V1B9	FTXM35R2V1B	50	220	MAX. 50Hz 264V MIN. 50Hz 198V	9,76	13	60,0	3,3	0,048	0,320	0,030	0,30
		50	230									
		50	240									
ARXM25N5V1B9	ATXM25R2V1B	50	220	MAX. 50Hz 264V MIN. 50Hz 198V	9,71	13	46,0	2,3	0,040	0,280	0,025	0,30
		50	230									
		50	240									
ARXM35N5V1B9	ATXM35R2V1B	50	220	MAX. 50Hz 264V MIN. 50Hz 198V	9,76	13	60,0	3,3	0,048	0,320	0,030	0,30
		50	230									
		50	240									
RXM20N5V1B9	FTXM20R5V1B	50	220	MAX. 50Hz 264V MIN. 50Hz 198V	8,93	10	32,5	1,7	0,048	0,320	0,029	0,30
		50	230									
		50	240									
RXM25N5V1B9	FTXM25R5V1B	50	220	MAX. 50Hz 264V MIN. 50Hz 198V	9,71	13	46,0	2,3	0,040	0,280	0,025	0,30
		50	230									
		50	240									
RXM35N5V1B9	FTXM35R5V1B	50	220	MAX. 50Hz 264V MIN. 50Hz 198V	9,76	13	60,0	3,3	0,048	0,320	0,030	0,30
		50	230									
		50	240									
ARXM25N5V1B9	ATXM25R5V1B	50	220	MAX. 50Hz 264V MIN. 50Hz 198V	9,71	13	46,0	2,3	0,040	0,280	0,025	0,30
		50	230									
		50	240									
ARXM35N5V1B9	ATXM35R5V1B	50	220	MAX. 50Hz 264V MIN. 50Hz 198V	9,76	13	60,0	3,3	0,048	0,320	0,030	0,30
		50	230									
		50	240									
RXM20R5V1B	FTXM20N2V1B	50	220	MAX. 50Hz 264V MIN. 50Hz 198V	8,84	10	35,0	2,0	0,048	0,320	0,022	0,22
		50	230									
		50	240									
RXM25R5V1B	FTXM25N2V1B	50	220	MAX. 50Hz 264V MIN. 50Hz 198V	9,63	13	46,0	2,6	0,040	0,280	0,022	0,22
		50	230									
		50	240									
RXM35R5V1B	FTXM35N2V1B	50	220	MAX. 50Hz 264V MIN. 50Hz 198V	9,70	13	60,0	4,2	0,048	0,320	0,027	0,25
		50	230									
		50	240									
ARXM25R5V1B	ATXM25N2V1B	50	220	MAX. 50Hz 264V MIN. 50Hz 198V	9,63	13	46,0	2,6	0,040	0,280	0,022	0,22
		50	230									
		50	240									
ARXM35R5V1B	ATXM35N2V1B	50	220	MAX. 50Hz 264V MIN. 50Hz 198V	9,70	13	60,0	4,2	0,048	0,320	0,027	0,25
		50	230									
		50	240									

Symbols
MCA: Minimum Circuit Ampere [A]
MFA: Maximum Fuse Ampere [A]
RLA: Rated load amps [A]
OFM: Outdoor fan motor
IFM: Indoor fan motor
FLA: Full load amps [A]
kW: Fan motor rated output [kW]
RHz: Rated operating frequency [Hz]

Notes
1) The ·RLA· is based on the following conditions.
Outdoor temperature ·35·°C DB
Indoor temperature ·27·°C DB / ·19·°C WB
2) Select the wire size according to the MCA.
3) The maximum allowable voltage that is unbalanced between phases is ·2·%.
4) Use a circuit breaker instead of a fuse.

4D130653

3 Electrical data

3 - 1 Electrical Data

RXM20-42R

Unit combination restrictions		Power supply				COMP		OFM		IFM		
Indoor unit	Outdoor unit	Hz	Voltage	Voltage range	MCA	MFA	RHz	RLA	kW	FLA	kW	FLA
RXM20R5V1B	FTXM20R2V1B	50	220	Maximum ·50-Hz ·264-V	8,93	10	32,5	1,7	0,048	0,320	0,029	0,30
		50	230					1,6				
		50	240	Minimum ·50-Hz ·198-V				1,6				
RXM25R5V1B	FTXM25R2V1B	50	220	Maximum ·50-Hz ·264-V	9,71	13	46,0	2,3	0,040	0,280	0,025	0,30
		50	230					2,2				
		50	240	Minimum ·50-Hz ·198-V				2,1				
RXM25R5V1B	FFA25A2VEB9	50	220	Maximum ·50-Hz ·264-V	10,79	13	40,0	2,3	0,040	0,280	0,050	0,20
		50	230					2,5				
		50	240	Minimum ·50-Hz ·198-V				2,6				
RXM25R5V1B	FDXM25F3V1B9	50	220	Maximum ·50-Hz ·264-V	10,92	13	39,0	2,1	0,040	0,280	0,034	0,30
		50	230					2,2				
		50	240	Minimum ·50-Hz ·198-V				2,3				
RXM25R5V1B	FNA25A2VEB9	50	220	Maximum ·50-Hz ·264-V	11,17	13	43,0	2,3	0,040	0,280	0,034	0,50
		50	230					2,4				
		50	240	Minimum ·50-Hz ·198-V				2,5				
RXM35R5V1B	FTXM35R2V1B	50	220	Maximum ·50-Hz ·264-V	9,76	13	60,0	3,3	0,048	0,320	0,030	0,30
		50	230					3,2				
		50	240	Minimum ·50-Hz ·198-V				3,0				
RXM35R5V1B	FCAG35BVEB	50	220	Maximum ·50-Hz ·264-V	10,92	13	63,0	3,6	0,048	0,320	0,048	0,30
		50	230					3,8				
		50	240	Minimum ·50-Hz ·198-V				4,0				
RXM35R5V1B	FBA35A2VEB9	50	220	Maximum ·50-Hz ·264-V	12,29	13	56,0	3,3	0,048	0,320	0,089	1,40
		50	230					3,5				
		50	240	Minimum ·50-Hz ·198-V				3,6				
RXM35R5V1B	FHA35AVEB9	50	220	Maximum ·50-Hz ·264-V	11,29	13	64,0	3,8	0,048	0,320	0,090	0,60
		50	230					4,0				
		50	240	Minimum ·50-Hz ·198-V				4,2				
RXM35R5V1B	FFA35A2VEB9	50	220	Maximum ·50-Hz ·264-V	10,79	13	64,0	3,6	0,048	0,320	0,050	0,20
		50	230					3,8				
		50	240	Minimum ·50-Hz ·198-V				4,0				
RXM35R5V1B	FDXM35F3V1B9	50	220	Maximum ·50-Hz ·264-V	10,92	13	65,0	3,6	0,048	0,320	0,034	0,30
		50	230					3,8				
		50	240	Minimum ·50-Hz ·198-V				3,9				
RXM35R5V1B	FNA35A2VEB9	50	220	Maximum ·50-Hz ·264-V	11,17	13	65,0	3,6	0,048	0,320	0,034	0,50
		50	230					3,8				
		50	240	Minimum ·50-Hz ·198-V				3,9				
ARXM25R5V1B	ATXM25R2V1B	50	220	Maximum ·50-Hz ·264-V	9,71	13	46,0	2,3	0,040	0,280	0,025	0,30
		50	230					2,2				
		50	240	Minimum ·50-Hz ·198-V				2,1				
ARXM35R5V1B	ATXM35R2V1B	50	220	Maximum ·50-Hz ·264-V	9,76	13	60,0	3,3	0,048	0,320	0,030	0,30
		50	230					3,2				
		50	240	Minimum ·50-Hz ·198-V				3,0				
RXM42R2V1B	FTXM42R2V1B	50	220	Maximum ·50-Hz ·264-V	10,36	13	47,5	4,3	0,056	0,370	0,034	0,30
		50	230					4,1				
		50	240	Minimum ·50-Hz ·198-V				4,0				
RXM20R5V1B	FTXM20R5V1B	50	220	Maximum ·50-Hz ·264-V	8,93	10	32,5	1,7	0,048	0,320	0,029	0,30
		50	230					1,6				
		50	240	Minimum ·50-Hz ·198-V				1,6				
RXM25R5V1B	FTXM25R5V1B	50	220	Maximum ·50-Hz ·264-V	9,71	13	46,0	2,3	0,040	0,280	0,025	0,30
		50	230					2,2				
		50	240	Minimum ·50-Hz ·198-V				2,1				
RXM35R5V1B	FTXM35R5V1B	50	220	Maximum ·50-Hz ·264-V	9,76	13	60,0	3,3	0,048	0,320	0,030	0,30
		50	230					3,2				
		50	240	Minimum ·50-Hz ·198-V				3,0				
RXM42R2V1B	FTXM42R5V1B	50	220	Maximum ·50-Hz ·264-V	10,36	13	47,5	4,3	0,056	0,370	0,034	0,30
		50	230					4,1				
		50	240	Minimum ·50-Hz ·198-V				4,0				
ARXM25R5V1B	ATXM25R5V1B	50	220	Maximum ·50-Hz ·264-V	9,71	13	46,0	2,3	0,040	0,280	0,025	0,30
		50	230					2,2				
		50	240	Minimum ·50-Hz ·198-V				2,1				
ARXM35R5V1B	ATXM35R5V1B	50	220	Maximum ·50-Hz ·264-V	9,76	13	60,0	3,3	0,048	0,320	0,030	0,30
		50	230					3,2				
		50	240	Minimum ·50-Hz ·198-V				3,0				
RXM25R5V1B	FVXM25A2V1B	50	220	Maximum ·50-Hz ·264-V	9,54	13	41,0	2,6	0,040	0,280	0,037	0,14
		50	230					2,5				
		50	240	Minimum ·50-Hz ·198-V				2,4				
RXM35R5V1B	FVXM35A2V1B	50	220	Maximum ·50-Hz ·264-V	9,58	13	62,0	3,8	0,048	0,320	0,037	0,14
		50	230					3,7				
		50	240	Minimum ·50-Hz ·198-V				3,6				

The ·RLA· is based on the following conditions.

Outdoor temperature ·35·°C DB

Indoor temperature ·27·°C DB / ·19·°C WB

Select the wire size according to the MCA.

The maximum allowable voltage that is unbalanced between phases is ·2·%.

Use a circuit breaker instead of a fuse.

Symbols

MCA: Minimum Circuit Ampere [A]

MFA: Maximum Fuse Ampere [A]

RLA: Rated load amps [A]

OFM: Outdoor fan motor

IFM: Indoor fan motor

RHz: Rated operating frequency [Hz]

FLA: Full Load Ampere [A]

kW: Fan motor rated output [kW]

4D130519B

3 Electrical data

3 - 1 Electrical Data

RXM42-71R

Unit combination restrictions		Power supply				COMP		OFM		IFM		
Outdoor unit	Indoor unit	Hz	Voltage	Voltage range	MCA	MFA	RHz	RLA	kW	FLA	kW	FLA
ARXM50R2V1B	ADEA50A2VEB	50	220	MAX. 50Hz 264V MIN. 50Hz 198V	15,42	16	55	5,2	0,056	0,37	0,089	1,40
		50	230					5,0				
		50	240					4,8				
ARXM60R2V1B	ADEA60A2VEB	50	220	MAX. 50Hz 264V MIN. 50Hz 198V	15,86	16	66	6,2	0,056	0,37	0,070	1,30
		50	230					6,0				
		50	240					5,7				
ARXM71R2V1B	ADEA71A2VEB	50	220	MAX. 50Hz 264V MIN. 50Hz 198V	15,83	16	81	8,2	0,056	0,37	0,070	1,30
		50	230					7,8				
		50	240					7,5				
ARXM71R2V1B	FCAG71BVEB	50	220	MAX. 50Hz 264V MIN. 50Hz 198V	14,93	16	81	8,1	0,056	0,37	0,054	0,40
		50	230					7,7				
		50	240					7,4				
ARXM71R2V1B	FBA71A2VEB9	50	220	MAX. 50Hz 264V MIN. 50Hz 198V	15,83	16	81	8,2	0,056	0,37	0,070	1,30
		50	230					7,8				
		50	240					7,5				
ARXM71R2V1B	FAA71AUVEB	50	220	MAX. 50Hz 264V MIN. 50Hz 198V	14,93	16	83	8,3	0,056	0,37	0,048	0,40
		50	230					7,9				
		50	240					7,6				
RXM42R2V1B	FTXM42R2V1B	50	220	MAX. 50Hz 264V MIN. 50Hz 198V	10,36	13	48	4,3	0,056	0,37	0,034	0,30
		50	230					4,1				
		50	240					4,0				
RXM42R2V1B	FTXM42R5V1B	50	220	MAX. 50Hz 264V MIN. 50Hz 198V	10,36	13	48	4,3	0,056	0,37	0,034	0,30
		50	230					4,1				
		50	240					4,0				
RXM50R2V1B	FTXM50R2V1B	50	220	MAX. 50Hz 264V MIN. 50Hz 198V	14,54	16	54	4,7	0,056	0,37	0,046	0,60
		50	230					4,5				
		50	240					4,3				
ARXM50R2V1B	ATXM50R2V1B	50	220	MAX. 50Hz 264V MIN. 50Hz 198V	14,54	16	54	4,7	0,056	0,37	0,046	0,60
		50	230					4,5				
		50	240					4,3				
RXM50R2V1B	FCAG50BVEB	50	220	MAX. 50Hz 264V MIN. 50Hz 198V	14,21	16	58	5,2	0,056	0,37	0,048	0,30
		50	230					5,0				
		50	240					4,8				
RXM50R2V1B	FBA50A2VEB9	50	220	MAX. 50Hz 264V MIN. 50Hz 198V	15,42	16	55	5,2	0,056	0,37	0,089	1,40
		50	230					5,0				
		50	240					4,8				
RXM50R2V1B	FHA50AVEB9	50	220	MAX. 50Hz 264V MIN. 50Hz 198V	14,54	16	64	5,5	0,056	0,37	0,090	0,60
		50	230					5,3				
		50	240					5,2				
RXM50R2V1B	FFA50A2VEB9	50	220	MAX. 50Hz 264V MIN. 50Hz 198V	14,32	16	62	5,6	0,056	0,37	0,050	0,40
		50	230					5,4				
		50	240					5,3				
RXM50R2V1B	FDXM50F3V1B9	50	220	MAX. 50Hz 264V MIN. 50Hz 198V	14,87	16	55	4,9	0,056	0,37	0,060	0,90
		50	230					4,7				
		50	240					4,5				
RXM50R2V1B	FNA50A2VEB9	50	220	MAX. 50Hz 264V MIN. 50Hz 198V	14,43	16	55	4,9	0,056	0,37	0,060	0,50
		50	230					4,7				
		50	240					4,5				
RXM50R2V1B	FVXM50FV1B9	50	220	MAX. 50Hz 264V MIN. 50Hz 198V	14,32	16	60	5,4	0,056	0,37	0,048	0,10
		50	230					5,2				
		50	240					5,0				
RXM60R2V1B	FTXM60R2V1B	50	220	MAX. 50Hz 264V MIN. 50Hz 198V	15,09	16	70	6,6	0,056	0,37	0,046	0,60
		50	230					6,3				
		50	240					6,0				
RXM60R2V1B	FCAG60BVEB	50	220	MAX. 50Hz 264V MIN. 50Hz 198V	14,76	16	71	6,5	0,056	0,37	0,048	0,30
		50	230					6,3				
		50	240					6,2				
RXM60R2V1B	FBA60A2VEB9	50	220	MAX. 50Hz 264V MIN. 50Hz 198V	15,86	16	66	6,1	0,056	0,37	0,070	1,30
		50	230					6,0				
		50	240					5,8				
RXM60R2V1B	FHA60AVEB9	50	220	MAX. 50Hz 264V MIN. 50Hz 198V	15,09	16	62	5,5	0,056	0,37	0,091	0,60
		50	230					5,3				
		50	240					5,1				
RXM60R2V1B	FFA60A2VEB9	50	220	MAX. 50Hz 264V MIN. 50Hz 198V	15,09	16	70	6,5	0,056	0,37	0,050	0,60
		50	230					6,3				
		50	240					6,2				
RXM60R2V1B	FDXM60F3V1B9	50	220	MAX. 50Hz 264V MIN. 50Hz 198V	15,42	16	73	6,7	0,056	0,37	0,060	0,90
		50	230					6,5				
		50	240					6,4				
RXM60R2V1B	FNA60A2VEB9	50	220	MAX. 50Hz 264V MIN. 50Hz 198V	15,09	16	73	6,7	0,056	0,37	0,060	0,60
		50	230					6,5				
		50	240					6,4				
RXM71R2V1B	FTXM71R2V1B	50	220	MAX. 50Hz 264V MIN. 50Hz 198V	19,78	20	54	9,4	0,128	0,38	0,052	0,60
		50	230					8,9				
		50	240					8,6				

Notes

- The ·RLA· is based on the following conditions.
Outdoor temperature ·35·°C DB
Indoor temperature ·27·°C DB / ·19·°C WB
- Select the wire size according to the MCA.
- The maximum allowable voltage that is unbalanced between phases is ·2·%.
- Use a circuit breaker instead of a fuse.

Symbols

- MCA: Minimum Circuit Ampere [A]
MFA: Maximum Fuse Ampere [A]
RLA: Rated load amps [A]
OFM: Outdoor fan motor
IFM: Indoor fan motor
FLA: Full load amps [A]
kW: Fan motor rated output [kW]
RHz: Rated operating frequency [Hz]

4D131055

3 Electrical data

3 - 1 Electrical Data

Unit combination restrictions		Power supply					COMP		OFM		IFM	
Indoor unit	Outdoor unit	Hz	Voltage	Voltage range	MCA	MFA	RHz	RLA	kW	FLA	kW	FLA
RXM42N2V1B9	FTXM42N2V1B	50	220	Maximum ·50·Hz ·264·V	11,62	13	49	4,4	0,056	0,37	0,028	0,22
		50	230					4,2				
		50	240	3,9								
RXM50N2V1B9	FTXM50N2V1B	50	220	Maximum ·50·Hz ·264·V	12,00	13	52	3,8	0,056	0,37	0,046	0,6
		50	230					3,5				
		50	240	3,2								
ARXM50N2V1B9	ATXM50N2V1B	50	220	Maximum ·50·Hz ·264·V	12,00	13	52	3,8	0,056	0,37	0,046	0,6
		50	230					3,5				
		50	240	3,2								
RXM50N2V1B9	FCAG50AVEB	50	220	Maximum ·50·Hz ·264·V	11,70	13	58	5,2	0,056	0,37	0,048	0,3
		50	230					5,0				
		50	240	4,8								
RXM50N2V1B9	FBA50AVEB	50	220	Maximum ·50·Hz ·264·V	12,80	13	55	5,2	0,056	0,37	0,089	1,4
		50	230					5,0				
		50	240	4,8								
RXM50N2V1B9	FHA50AVEB	50	220	Maximum ·50·Hz ·264·V	12,00	13	64	5,5	0,056	0,37	0,090	0,6
		50	230					5,3				
		50	240	5,2								
RXM50N2V1B9	FFA50A2VEB	50	220	Maximum ·50·Hz ·264·V	11,80	13	62	5,6	0,056	0,37	0,050	0,4
		50	230					5,4				
		50	240	5,3								
RXM50N2V1B9	FDXM50F3V1B	50	220	Maximum ·50·Hz ·264·V	12,30	13	55	4,9	0,056	0,37	0,060	0,9
		50	230					4,7				
		50	240	4,5								
RXM50N2V1B9	FNA50A2VEB	50	220	Maximum ·50·Hz ·264·V	11,90	13	55	4,9	0,056	0,37	0,060	0,5
		50	230					4,7				
		50	240	4,5								
RXM50N2V1B9	FVXM50FV1B	50	220	Maximum ·50·Hz ·264·V	11,50	13	60	5,4	0,056	0,37	0,048	0,1
		50	230					5,2				
		50	240	5,0								
RXM60N2V1B9	FTXM60N2V1B	50	220	Maximum ·50·Hz ·264·V	15,13	16	66	5,9	0,056	0,37	0,046	0,6
		50	230					5,7				
		50	240	5,5								
RXM60N2V1B9	FCAG60AVEB	50	220	Maximum ·50·Hz ·264·V	14,83	16	71	6,5	0,056	0,37	0,048	0,3
		50	230					6,3				
		50	240	6,2								
RXM60N2V1B9	FBA60AVEB	50	220	Maximum ·50·Hz ·264·V	15,83	16	66	6,1	0,056	0,37	0,070	1,3
		50	230					6,0				
		50	240	5,8								
RXM60N2V1B9	FHA60AVEB	50	220	Maximum ·50·Hz ·264·V	15,13	16	62	5,5	0,056	0,37	0,091	0,6
		50	230					5,3				
		50	240	5,1								
RXM60N2V1B9	FFA60A2VEB	50	220	Maximum ·50·Hz ·264·V	15,13	16	70	6,5	0,056	0,37	0,050	0,6
		50	230					6,3				
		50	240	6,2								
RXM60N2V1B9	FDXM60F3V1B	50	220	Maximum ·50·Hz ·264·V	15,43	16	73	6,7	0,056	0,37	0,060	0,9
		50	230					6,5				
		50	240	6,4								
RXM60N2V1B9	FNA60A2VEB	50	220	Maximum ·50·Hz ·264·V	15,13	16	73	6,7	0,056	0,37	0,060	0,6
		50	230					6,5				
		50	240	6,4								
RXM50R2V1B	FVXM50A2V1B	50	220	Maximum ·50·Hz ·264·V	14,04	16	58	5,3	0,056	0,37	0,037	0,14
		50	230					5,1				
		50	240	4,9								
RXM50N2V1B9	FTXM50R2V1B	50	220	Maximum ·50·Hz ·264·V	10,69	13	54	4,7	0,056	0,37	0,046	0,6
		50	230					4,5				
		50	240	4,3								
ARXM50N2V1B9	ATXM50R2V1B	50	220	Maximum ·50·Hz ·264·V	10,69	13	54	4,7	0,056	0,37	0,046	0,6
		50	230					4,5				
		50	240	4,3								
RXM60N2V1B9	FTXM60R2V1B	50	220	Maximum ·50·Hz ·264·V	13,44	16	70	6,6	0,056	0,37	0,046	0,6
		50	230					6,3				
		50	240	6,0								
RXM71N2V1B	FTXM71R2V1B	50	220	Maximum ·50·Hz ·264·V	18,30	20	54	7,9	0,128	0,38	0,052	0,34
		50	230					7,2				
		50	240	6,9								

- Notes
- The ·RLA· is based on the following conditions.
Outdoor temperature ·35·°C DB
Indoor temperature ·27·°C DB / ·19·°C WB
 - Select the wire size according to the MCA.
 - The maximum allowable voltage that is unbalanced between phases is ·2·%.
 - Use a circuit breaker instead of a fuse.

- Symbols
- MCA: Minimum Circuit Ampere [A]
 - MFA: Maximum Fuse Ampere [A]
 - RLA: Rated load amps [A]
 - OFM: Outdoor fan motor
 - IFM: Indoor fan motor
 - RHz: Rated operating frequency [Hz]
 - FLA: Full Load Ampere [A]
 - kW: Fan motor rated output [kW] **3D120639B**

4 Capacity tables

4 - 1 Cooling/Heating Capacity Tables

4

FTXM20R / RXM20R

Cooling

50Hz 220-240V

AFR	10,48
BF	0,08

INDOOR		Outdoor temperature [° C DB]																	
EWB	EDB	20			25			30			32			35			40		
°C	°C	TC	SHC	PI	TC	SHC	PI	TC	SHC	PI	TC	SHC	PI	TC	SHC	PI	TC	SHC	PI
14	20	2,05	2,05	0,34	1,96	1,96	0,37	1,86	1,86	0,40	1,83	1,83	0,41	1,77	1,77	0,43	1,68	1,68	0,47
16	22	2,14	1,95	0,34	2,05	1,98	0,37	1,95	1,95	0,40	1,92	1,92	0,42	1,86	1,86	0,43	1,77	1,77	0,47
18	25	2,23	2,23	0,34	2,14	2,14	0,37	2,05	2,05	0,40	2,01	2,01	0,42	1,95	1,95	0,44	1,86	1,86	0,47
19	27	2,28	2,28	0,34	2,19	2,19	0,37	2,09	2,09	0,41	2,06	2,06	0,42	2,00	2,00	0,44	1,91	1,91	0,47
22	30	2,42	2,32	0,34	2,32	2,32	0,38	2,23	2,23	0,41	2,19	2,19	0,42	2,14	2,14	0,44	2,05	2,05	0,47
24	32	2,51	2,07	0,35	2,42	2,14	0,38	2,32	2,25	0,41	2,29	2,29	0,42	2,23	2,23	0,44	2,14	2,14	0,47

Heating

50Hz 220-240V

AFR	9,33
-----	------

INDOOR		Outdoor temperature [° C WB]											
EDB		-15		-10		-5		0		7		10	
°C		TC	PI	TC	PI	TC	PI	TC	PI	TC	PI	TC	PI
15		1,19	0,32	1,43	0,34	1,67	0,36	1,94	0,46	2,59	0,49	2,81	0,51
20		1,12	0,33	1,36	0,35	1,60	0,37	1,86	0,47	2,50	0,50	2,73	0,52
22		1,09	0,34	1,33	0,36	1,57	0,37	1,83	0,48	2,47	0,50	2,69	0,52
24		1,06	0,34	1,30	0,36	1,54	0,38	1,80	0,48	2,43	0,51	2,66	0,53
25		1,04	0,34	1,28	0,36	1,52	0,38	1,78	0,49	2,41	0,51	2,64	0,53
27		1,01	0,35	1,25	0,37	1,49	0,38	1,76	0,49	2,38	0,52	2,61	0,54

Symbols

- AFR: Air flow rate [m³/min]
- BF: Bypass factor
- EWB: Entering wet-bulb temperature [° C WB]
- EDB: Entering dry-bulb temperature [° C DB]
- TC: Total capacity [kW]
- SHC: Sensible heat capacity [kW]
- PI: Power input [kW]

Notes

- The ratings shown are net capacities which include a deduction for indoor fan motor heat.
- Nominal capacity and nominal input
- The total capacity, power input and sensible heat capacity must be calculated by interpolation, using the figures in the table (figures not in the table may not be used in the calculation).
- In case the sensible heat capacity is not mentioned in the table, please calculate it using an approximation between two values in direct proportion.
- The capacities are based on the following conditions:
Corresponding refrigerant piping length: ·5· m
Level difference: ·0· m
- The air flow rate and bypass factor are mentioned in the table.

4D130634

FTXM20N / RXM20R

Cooling ·220-240V 50Hz·

AFR	11,1
BF	0,16

①	②	③																	
		20			25			30			32			35			40		
		TC	SHC	PI	TC	SHC	PI	TC	SHC	PI	TC	SHC	PI	TC	SHC	PI	TC	SHC	PI
14	20	2,05	1,76	0,34	1,96	1,72	0,37	1,86	1,68	0,40	1,83	1,66	0,42	1,77	1,64	0,44	1,68	1,59	0,47
16	22	2,14	1,76	0,34	2,05	1,69	0,37	1,95	1,65	0,41	1,92	1,64	0,42	1,86	1,62	0,44	1,77	1,58	0,47
18	25	2,23	1,85	0,34	2,14	1,81	0,38	2,05	1,78	0,41	2,01	1,76	0,42	1,95	1,74	0,44	1,86	1,70	0,47
19	27	2,28	1,98	0,34	2,19	1,95	0,38	2,09	1,91	0,41	2,06	1,90	0,42	2,00	1,88	0,44	1,91	1,84	0,47
22	30	2,42	1,92	0,35	2,32	1,89	0,38	2,23	1,86	0,41	2,19	1,85	0,42	2,14	1,83	0,44	2,05	1,80	0,47
24	32	2,51	1,88	0,35	2,42	1,86	0,38	2,32	1,83	0,41	2,29	1,82	0,43	2,23	1,80	0,44	2,14	1,77	0,48

Symbols

- TC: Total capacity [kW]
- PI: Power input [kW]
- SHC: Sensible heat capacity [kW]
- AFR: Air flow rate [m³/min]
- BF: Bypass factor

Heating ·220-240V 50Hz·

AFR	10,4
-----	------

②	④											
	-15		-10		-5		0		6		10	
	TC	PI	TC	PI	TC	PI	TC	PI	TC	PI	TC	PI
15	1,19	0,32	1,43	0,34	1,67	0,36	2,25	0,46	2,59	0,49	2,81	0,51
20	1,12	0,33	1,36	0,35	1,60	0,37	2,16	0,47	2,50	0,50	2,73	0,52
22	1,09	0,34	1,33	0,36	1,57	0,37	2,13	0,48	2,47	0,50	2,69	0,52
24	1,06	0,34	1,30	0,36	1,54	0,38	2,09	0,48	2,43	0,51	2,66	0,53
25	1,04	0,34	1,28	0,36	1,52	0,38	2,07	0,49	2,41	0,51	2,64	0,53
27	1,01	0,35	1,25	0,37	1,49	0,38	2,04	0,49	2,38	0,52	2,61	0,54

- ① Indoor air temperature [°C WB]
- ② Indoor air temperature [°C DB]
- ③ Outdoor air temperature [°C DB]
- ④ Outdoor air temperature [°C WB]

Notes

- The capacities are based on the following conditions:
Corresponding refrigerant piping length: ·5,0· m
Level difference: ·0· m
- The bold cells indicate the standard conditions.
Rated operating frequency [Hz]

3D099850F

4 Capacity tables

4 - 1 Cooling/Heating Capacity Tables

FVXM25F / RXM25R

Cooling

50Hz 220 - 240V

AFR	8,2
BF	0,1

Indoor temperature		Outdoor temperature [°C DB]																	
EWB	EDB	20			25			30			32			35			40		
°C	°C	TC	SHC	PI	TC	SHC	PI	TC	SHC	PI	TC	SHC	PI	TC	SHC	PI	TC	SHC	PI
14,0	20	2,56	2,00	0,46	2,44	1,95	0,50	2,33	1,89	0,55	2,28	1,87	0,56	2,21	1,84	0,59	2,10	1,78	0,64
16,0	22	2,68	1,97	0,46	2,56	1,92	0,51	2,44	1,87	0,55	2,40	1,84	0,57	2,33	1,81	0,59	2,21	1,76	0,64
18,0	25	2,79	2,08	0,46	2,68	2,03	0,51	2,56	1,98	0,55	2,51	1,96	0,57	2,44	1,93	0,60	2,33	1,89	0,64
19,0	27	2,85	2,21	0,47	2,73	2,16	0,51	2,62	2,11	0,55	2,57	2,09	0,57	2,50	2,07	0,60	2,38	2,02	0,64
22,0	30	3,02	2,13	0,47	2,91	2,09	0,51	2,79	2,05	0,56	2,74	2,03	0,58	2,67	2,01	0,60	2,56	1,97	0,65
24,0	32	3,14	2,08	0,47	3,02	2,04	0,52	2,90	2,01	0,56	2,86	1,99	0,58	2,79	1,97	0,60	2,67	1,93	0,65

Heating

50Hz 220 - 240V

AFR	8,8
-----	-----

Indoor temperature		Outdoor temperature [°C WB]											
EDB	°C	-15		-10		-5		0		6		10	
°C	°C	TC	PI	TC	PI	TC	PI	TC	PI	TC	PI	TC	PI
15,0	15,0	1,58	0,62	1,90	0,65	2,22	0,68	2,54	0,71	3,52	0,75	3,82	0,78
20,0	20,0	1,48	0,64	1,80	0,67	2,12	0,70	2,44	0,73	3,40	0,77	3,71	0,79
22,0	22,0	1,44	0,64	1,76	0,67	2,08	0,71	2,40	0,74	3,35	0,78	3,66	0,80
24,0	24,0	1,41	0,65	1,72	0,68	2,04	0,71	2,36	0,75	3,31	0,78	3,61	0,81
25,0	25,0	1,39	0,65	1,70	0,69	2,02	0,72	2,34	0,75	3,28	0,79	3,59	0,81
27,0	27,0	1,35	0,66	1,67	0,69	1,98	0,72	2,30	0,76	3,24	0,79	3,54	0,82

Symbols

- AFR: Air flow rate [m³/min]
- BF: Bypass factor
- EWB: Entering wet-bulb temperature (°C WB)
- EDB: Entering dry-bulb temperature (°C DB)
- TC: Total capacity [kW]
- SHC: Sensible heat capacity [kW]
- PI: Power input [kW]

Notes

- The ratings shown are net capacities which include a deduction for indoor fan motor heat.
- On the figure the □ mark shows the rated capacity and rated coefficient of the power input.
- The total capacity, power input and sensible heat capacity must be calculated by interpolation, using the figures in the table (figures not in the table may not be used in the calculation).
- In case the sensible heat capacity is not mentioned in the table, please calculate it using an approximation between two values in direct proportion.
- The capacities are based on the following conditions:
Corresponding refrigerant piping length: ·5· m
Level difference: ·0· m
- The air flow rate and bypass factor are mentioned in the table.

3D110093B

FDXM25F9 / RXM25R

Cooling

50Hz 220-240V

AFR	8,7
BF	0,17

Indoor temperature		Outdoor temperature [°C DB]																	
EWB	EDB	20			25			30			32			35			40		
°C	°C	TC	SHC	PI	TC	SHC	PI	TC	SHC	PI	TC	SHC	PI	TC	SHC	PI	TC	SHC	PI
14,0	20	2,46	1,94	0,49	2,35	1,88	0,54	2,24	1,83	0,59	2,19	1,81	0,61	2,12	1,78	0,63	2,01	1,73	0,68
16,0	22	2,57	1,91	0,50	2,46	1,86	0,54	2,35	1,81	0,59	2,30	1,79	0,61	2,23	1,76	0,64	2,12	1,71	0,68
18,0	25	2,68	2,01	0,50	2,57	1,97	0,55	2,46	1,92	0,59	2,41	1,90	0,61	2,34	1,87	0,64	2,23	1,83	0,69
19,0	27	2,74	2,14	0,50	2,62	2,09	0,55	2,51	2,05	0,59	2,47	2,03	0,61	2,40	2,00	0,64	2,29	1,96	0,69
22,0	30	2,90	2,07	0,50	2,79	2,03	0,55	2,68	1,99	0,60	2,63	1,97	0,62	2,57	1,95	0,65	2,45	1,91	0,69
24,0	32	3,01	2,02	0,51	2,90	1,98	0,55	2,79	1,95	0,60	2,74	1,93	0,62	2,68	1,91	0,65	2,56	1,88	0,70

Heating

50Hz 220-240V

AFR	8,7
-----	-----

Indoor temperature		Outdoor temperature [°C WB]											
EDB	°C	-15		-10		-5		0		6		10	
°C	°C	TC	PI	TC	PI	TC	PI	TC	PI	TC	PI	TC	PI
15,0	15,0	1,49	0,64	1,79	0,68	2,09	0,71	2,39	0,74	3,31	0,78	3,60	0,81
20,0	20,0	1,40	0,66	1,70	0,69	2,00	0,73	2,30	0,76	3,20	0,80	3,49	0,83
22,0	22,0	1,36	0,67	1,66	0,70	1,96	0,73	2,26	0,77	3,16	0,81	3,44	0,83
24,0	24,0	1,32	0,68	1,62	0,71	1,92	0,74	2,22	0,77	3,11	0,81	3,40	0,84
25,0	25,0	1,30	0,68	1,60	0,71	1,90	0,75	2,20	0,78	3,09	0,82	3,38	0,84
27,0	27,0	1,27	0,69	1,57	0,72	1,87	0,75	2,17	0,79	3,05	0,83	3,33	0,85

Symbols

- AFR: Air flow rate [m³/min]
- BF: Bypass factor
- EWB: Entering wet-bulb temperature (°C WB)
- EDB: Entering dry-bulb temperature (°C DB)
- TC: Total capacity [kW]
- SHC: Sensible heat capacity [kW]
- PI: Power input [kW]

Notes

- The ratings shown are net capacities which include a deduction for indoor fan motor heat.
- On the figure the □ mark shows the rated capacity and rated coefficient of the power input.
- The total capacity, power input and sensible heat capacity must be calculated by interpolation, using the figures in the table (figures not in the table may not be used in the calculation).
- In case the sensible heat capacity is not mentioned in the table, please calculate it using an approximation between two values in direct proportion.
- The capacities are based on the following conditions:
Corresponding refrigerant piping length: ·5· m
Level difference: ·0· m
- The air flow rate and bypass factor are mentioned in the table.

3D110078B

4 Capacity tables

4 - 1 Cooling/Heating Capacity Tables

FVXM25A / RXM25R

AFR	8,7
BF	0,09

Cooling ·220-240V 50Hz·

Indoor air temperature [°C WB]	Indoor air temperature [°C DB]	Outdoor air temperature [°C DB]																	
		20			25			30			32			35			40		
		TC	SHC	PI	TC	SHC	PI	TC	SHC	PI	TC	SHC	PI	TC	SHC	PI	TC	SHC	PI
14	20	2,46	1,87	0,40	2,35	1,84	0,44	2,24	1,81	0,47	2,19	1,80	0,49	2,12	1,79	0,51	2,01	1,78	0,55
16	22	2,57	1,78	0,40	2,46	1,74	0,44	2,35	1,71	0,48	2,30	1,70	0,49	2,23	1,68	0,51	2,12	1,66	0,55
18	25	2,68	1,88	0,40	2,57	1,85	0,44	2,46	1,83	0,48	2,41	1,82	0,49	2,34	1,82	0,52	2,23	1,82	0,56
19	27	2,74	2,04	0,40	2,62	2,03	0,44	2,51	2,03	0,48	2,47	2,04	0,50	2,40	2,05	0,52	2,29	2,08	0,56
22	30	2,90	1,84	0,41	2,79	1,82	0,44	2,68	1,81	0,48	2,63	1,80	0,50	2,57	1,80	0,52	2,45	1,81	0,56
24	32	3,01	1,72	0,41	2,90	1,70	0,45	2,79	1,68	0,49	2,74	1,67	0,50	2,68	1,67	0,52	2,56	1,66	0,56

Heating ·220-240V 50Hz·

AFR	9,2
-----	-----

Indoor air temperature [°C DB]	Outdoor air temperature [°C DB]													
	-20		-15		-10		-5		0		7		10	
	TC	PI	TC	PI	TC	PI	TC	PI	TC	PI	TC	PI	TC	PI
15	1,61	0,54	1,98	0,57	2,35	0,60	2,26	0,63	2,56	0,66	3,61	0,69	3,83	0,71
20	1,40	0,59	1,77	0,62	2,14	0,65	2,51	0,68	2,39	0,71	3,40	0,75	3,62	0,76
22	1,31	0,61	1,68	0,64	2,05	0,67	2,43	0,70	1,81	0,73	3,32	0,76	3,54	0,78
24	1,23	0,63	1,60	0,66	1,97	0,69	2,34	0,72	1,73	0,75	3,23	0,77	3,45	0,81
25	1,19	0,65	1,56	0,67	1,93	0,70	2,30	0,73	1,70	0,76	3,19	0,77	3,41	0,82
27	1,08	0,66	1,47	0,69	1,84	0,72	2,22	0,75	1,62	0,78	3,11	0,78	3,33	0,84

Heating capacity at nominal operating frequency, measured according to ·EN 14511·.

Notes

- The capacities are based on the following conditions:
Corresponding refrigerant piping length: ·5,0· m
Level difference: ·0·m
- The bold cells indicate the standard conditions.

Symbols

- TC: Total capacity [kW]
PI: Power input [kW]
SHC: Sensible heat capacity [kW]
AFR: Air flow rate [m³/min]
BF: Bypass factor

3D130939

FFA25A9 / RXM25R

Cooling 50Hz 220-240V

AFR	9,0
BF	0,24

Indoor temperature		Outdoor temperature [°C DB]																	
°C	EDB	20			25			30			32			35			40		
		TC	SHC	PI	TC	SHC	PI	TC	SHC	PI	TC	SHC	PI	TC	SHC	PI	TC	SHC	PI
14,0	20	2,56	1,95	0,42	2,44	1,89	0,46	2,33	1,84	0,50	2,28	1,81	0,52	2,21	1,78	0,54	2,10	1,72	0,58
16,0	22	2,68	1,92	0,42	2,56	1,86	0,46	2,44	1,81	0,50	2,40	1,79	0,52	2,33	1,76	0,54	2,21	1,71	0,58
18,0	25	2,79	2,01	0,42	2,68	1,96	0,46	2,56	1,92	0,51	2,51	1,90	0,52	2,44	1,87	0,55	2,33	1,82	0,59
19,0	27	2,85	2,13	0,43	2,73	2,08	0,47	2,62	2,04	0,51	2,57	2,02	0,52	2,50	1,99	0,55	2,38	1,94	0,59
22,0	30	3,02	2,06	0,43	2,91	2,02	0,47	2,79	1,97	0,51	2,74	1,96	0,53	2,67	1,93	0,55	2,56	1,89	0,59
24,0	32	3,14	2,01	0,43	3,02	1,97	0,47	2,90	1,93	0,51	2,86	1,91	0,53	2,79	1,89	0,55	2,67	1,85	0,59

Heating 50Hz 220-240V

AFR	9,0
-----	-----

Indoor temperature		Outdoor temperature [°C WB]													
°C	EDB	-15		-10		-5		0		6		10			
		TC	PI	TC	PI	TC	PI	TC	PI	TC	PI	TC	PI		
15,0	1,49	0,66	1,79	0,69	2,09	0,73	2,39	0,76	3,31	0,80	3,60	0,83			
20,0	1,40	0,68	1,70	0,71	2,00	0,75	2,30	0,78	3,20	0,82	3,49	0,85			
22,0	1,36	0,69	1,66	0,72	1,96	0,75	2,26	0,79	3,16	0,83	3,44	0,85			
24,0	1,32	0,69	1,62	0,73	1,92	0,76	2,22	0,79	3,11	0,84	3,40	0,86			
25,0	1,30	0,70	1,60	0,73	1,90	0,76	2,20	0,80	3,09	0,84	3,38	0,87			
27,0	1,27	0,70	1,57	0,74	1,87	0,77	2,17	0,81	3,05	0,85	3,33	0,87			

Symbols

- AFR: Air flow rate [m³/min]
BF: Bypass factor
EWB: Entering wet-bulb temperature (°C WB)
EDB: Entering dry-bulb temperature (°C DB)
TC: Total capacity [kW]
SHC: Sensible heat capacity [kW]
PI: Power input [kW]

Notes

- The ratings shown are net capacities which include a deduction for indoor fan motor heat.
- On the figure the □ mark shows the rated capacity and rated coefficient of the power input.
- The total capacity, power input and sensible heat capacity must be calculated by interpolation, using the figures in the table (figures not in the table may not be used in the calculation).
- In case the sensible heat capacity is not mentioned in the table, please calculate it using an approximation between two values in direct proportion.
- The capacities are based on the following conditions:
Corresponding refrigerant piping length: ·5· m
Level difference: ·0·m
- The air flow rate and bypass factor are mentioned in the table.

3D110082B

4 Capacity tables

4 - 1 Cooling/Heating Capacity Tables

FTXM25R / RXM25R

Cooling

50Hz 220 -240V

AFR	10,49
BF	0,25

INDOOR		Outdoor temperature [° C DB]																	
°C	°C	20			25			30			32			35			40		
		TC	SHC	PI	TC	SHC	PI	TC	SHC	PI	TC	SHC	PI	TC	SHC	PI	TC	SHC	PI
14	20	2,56	1,90	0,43	2,44	1,86	0,47	2,33	1,82	0,51	2,28	1,81	0,52	2,21	1,79	0,55	2,10	1,77	0,59
16	22	2,68	1,81	0,43	2,56	1,77	0,47	2,44	1,73	0,51	2,40	1,72	0,53	2,33	1,70	0,55	2,21	1,67	0,59
18	25	2,79	1,90	0,43	2,68	1,87	0,47	2,56	1,84	0,51	2,51	1,83	0,53	2,44	1,82	0,55	2,33	1,81	0,60
19	27	2,85	2,05	0,43	2,73	2,03	0,47	2,62	2,02	0,51	2,57	2,02	0,53	2,50	2,02	0,56	2,38	2,03	0,60
22	30	3,02	1,86	0,44	2,91	1,83	0,48	2,79	1,81	0,52	2,74	1,80	0,53	2,67	1,80	0,56	2,56	1,79	0,60
24	32	3,14	1,74	0,44	3,02	1,71	0,48	2,90	1,69	0,52	2,86	1,68	0,54	2,79	1,67	0,56	2,67	1,66	0,60

Heating

50Hz 220 -240V

AFR	9,78
-----	------

INDOOR		Outdoor temperature [° C WB]											
°C	EDB	-15		-10		-5		0		7		10	
		TC	PI	TC	PI	TC	PI	TC	PI	TC	PI	TC	PI
15	1,33	0,36	1,60	0,38	1,87	0,40	2,09	0,52	2,90	0,55	3,15	0,57	
20	1,25	0,37	1,52	0,39	1,79	0,41	1,98	0,53	2,80	0,56	3,05	0,58	
22	1,22	0,37	1,49	0,40	1,76	0,42	1,95	0,53	2,76	0,57	3,01	0,59	
24	1,19	0,38	1,45	0,40	1,72	0,42	1,92	0,54	2,72	0,57	2,98	0,59	
25	1,17	0,38	1,44	0,40	1,71	0,42	1,90	0,54	2,70	0,57	2,96	0,59	
27	1,14	0,39	1,41	0,41	1,67	0,42	1,88	0,55	2,66	0,58	2,92	0,60	

Symbols

- AFR: Air flow rate [m³/min]
- BF: Bypass factor
- EWB: Entering wet-bulb temperature [° C WB]
- EDB: Entering dry-bulb temperature [° C DB]
- TC: Total capacity [kW]
- SHC: Sensible heat capacity [kW]
- PI: Power input [kW]

Notes

- The ratings shown are net capacities which include a deduction for indoor fan motor heat.
- Nominal capacity and nominal input
- The total capacity, power input and sensible heat capacity must be calculated by interpolation, using the figures in the table (figures not in the table may not be used in the calculation).
- In case the sensible heat capacity is not mentioned in the table, please calculate it using an approximation between two values in direct proportion.
- The capacities are based on the following conditions:
Corresponding refrigerant piping length: ·5 m
Level difference: ·0m
- The air flow rate and bypass factor are mentioned in the table.

4D130635

FNA25A9 / RXM25R

Cooling

50Hz 220 - 240V

AFR	8,7
BF	0,17

Indoor temperature		Outdoor temperature [°C DB]																	
°C	°C	20			25			30			32			35			40		
		TC	SHC	PI	TC	SHC	PI	TC	SHC	PI	TC	SHC	PI	TC	SHC	PI	TC	SHC	PI
14,0	20	2,66	2,04	0,52	2,54	1,98	0,58	2,42	1,92	0,63	2,37	1,90	0,65	2,30	1,86	0,68	2,18	1,81	0,73
16,0	22	2,78	2,00	0,53	2,66	1,95	0,58	2,54	1,89	0,63	2,49	1,87	0,65	2,42	1,84	0,68	2,30	1,78	0,73
18,0	25	2,90	2,11	0,53	2,78	2,06	0,58	2,66	2,00	0,63	2,61	1,98	0,65	2,54	1,95	0,68	2,42	1,90	0,73
19,0	27	2,96	2,23	0,53	2,84	2,18	0,58	2,72	2,13	0,63	2,67	2,11	0,65	2,60	2,08	0,68	2,48	2,04	0,73
22,0	30	3,14	2,16	0,54	3,02	2,11	0,59	2,90	2,07	0,64	2,85	2,05	0,66	2,78	2,02	0,69	2,66	1,98	0,74
24,0	32	3,26	2,10	0,54	3,14	2,06	0,59	3,02	2,02	0,64	2,97	2,01	0,66	2,90	1,98	0,69	2,78	1,94	0,74

Heating

50Hz 220 - 240V

AFR	8,7
-----	-----

Indoor temperature		Outdoor temperature [°C WB]											
°C	EDB	-15		-10		-5		0		6		10	
		TC	PI	TC	PI	TC	PI	TC	PI	TC	PI	TC	PI
15,0	1,49	0,64	1,79	0,68	2,09	0,71	2,39	0,74	3,31	0,78	3,60	0,81	
20,0	1,40	0,66	1,70	0,69	2,00	0,73	2,30	0,76	3,20	0,80	3,49	0,83	
22,0	1,36	0,67	1,66	0,70	1,96	0,73	2,26	0,77	3,16	0,81	3,44	0,83	
24,0	1,32	0,68	1,62	0,71	1,92	0,74	2,22	0,77	3,11	0,81	3,40	0,84	
25,0	1,30	0,68	1,60	0,71	1,90	0,75	2,20	0,78	3,09	0,82	3,38	0,84	
27,0	1,27	0,69	1,57	0,72	1,87	0,75	2,17	0,79	3,05	0,83	3,33	0,85	

Symbols

- AFR: Air flow rate [m³/min]
- BF: Bypass factor
- EWB: Entering wet-bulb temperature (°C WB)
- EDB: Entering dry-bulb temperature (°C DB)
- TC: Total capacity [kW]
- SHC: Sensible heat capacity [kW]
- PI: Power input [kW]

Notes

- The ratings shown are net capacities which include a deduction for indoor fan motor heat.
- On the figure the mark shows the rated capacity and rated coefficient of the power input.
- The total capacity, power input and sensible heat capacity must be calculated by interpolation, using the figures in the table (figures not in the table may not be used in the calculation).
- In case the sensible heat capacity is not mentioned in the table, please calculate it using an approximation between two values in direct proportion.
- The capacities are based on the following conditions:
Corresponding refrigerant piping length: ·5 m
Level difference: ·0m
- The air flow rate and bypass factor are mentioned in the table.

3D110089B

4 Capacity tables

4 - 1 Cooling/Heating Capacity Tables

4

FTXM25N / RXM25R

Cooling ·220-240V 50Hz·

AFR	11,1
BF	0,21

①	②	③																	
		20			25			30			32			35			40		
		TC	SHC	PI	TC	SHC	PI	TC	SHC	PI	TC	SHC	PI	TC	SHC	PI	TC	SHC	PI
14	20	2,56	1,95	0,40	2,44	1,90	0,45	2,32	1,85	0,51	2,28	1,83	0,53	2,21	1,79	0,55	2,09	1,74	0,60
16	22	2,68	1,92	0,43	2,56	1,87	0,47	2,44	1,82	0,51	2,40	1,80	0,53	2,33	1,76	0,56	2,21	1,71	0,60
18	25	2,79	2,02	0,43	2,68	1,97	0,47	2,56	1,92	0,52	2,51	1,90	0,53	2,44	1,88	0,56	2,33	1,83	0,60
19	27	2,85	2,14	0,43	2,73	2,09	0,48	2,62	2,05	0,52	2,57	2,03	0,53	2,50	2,00	0,56	2,38	1,95	0,60
22	30	3,02	2,07	0,44	2,91	2,03	0,48	2,79	1,98	0,52	2,74	1,97	0,54	2,67	1,94	0,56	2,56	1,90	0,61
24	32	3,14	2,02	0,44	3,02	1,98	0,48	2,90	1,94	0,52	2,86	1,92	0,54	2,79	1,90	0,57	2,67	1,87	0,61

Symbols

- TC: Total capacity [kW]
- PI: Power input [kW]
- SHC: Sensible heat capacity [kW]
- AFR: Air flow rate [m³/min]
- BF: Bypass factor

Heating ·220-240V 50Hz·

AFR	10,8
-----	------

②	④											
	-15		-10		-5		0		6		10	
	TC	PI	TC	PI	TC	PI	TC	PI	TC	PI	TC	PI
15	1,33	0,36	1,60	0,38	1,87	0,40	2,52	0,52	2,90	0,55	3,15	0,57
20	1,25	0,37	1,52	0,39	1,79	0,41	2,42	0,53	2,80	0,56	3,05	0,58
22	1,22	0,37	1,49	0,40	1,76	0,42	2,38	0,53	2,76	0,57	3,01	0,59
24	1,19	0,38	1,45	0,40	1,72	0,42	2,34	0,54	2,72	0,57	2,98	0,59
25	1,17	0,38	1,44	0,40	1,71	0,42	2,32	0,54	2,70	0,57	2,96	0,59
27	1,14	0,39	1,41	0,41	1,67	0,42	2,29	0,55	2,66	0,58	2,92	0,60

- ① Indoor air temperature [°C WB]
- ② Indoor air temperature [°C DB]
- ③ Outdoor air temperature [°C DB]
- ④ Outdoor air temperature [°C WB]

Notes

- The capacities are based on the following conditions:
Corresponding refrigerant piping length: ·5.0· m
Level difference: ·0·m
- The bold cells indicate the standard conditions.
Rated operating frequency [Hz]

3D120715A

FNA35A9 / RXM35R

Cooling ·220-240V 50Hz·

AFR	8,7
BF	0,17

Indoor		Outdoor temperature [°C DB]																	
EWB °C	EDB °C	20			25			30			32			35			40		
		TC	SHC	PI	TC	SHC	PI	TC	SHC	PI	TC	SHC	PI	TC	SHC	PI	TC	SHC	PI
14	20	2,96	2,19	0,75	2,96	2,19	0,85	2,96	2,19	0,96	2,96	2,19	1,01	2,96	2,19	1,08	2,85	2,13	1,17
16	22	3,64	2,42	0,85	3,48	2,34	0,93	3,32	2,26	1,01	3,26	2,23	1,04	3,17	2,18	1,09	3,01	2,11	1,17
18	25	3,80	2,51	0,85	3,64	2,43	0,93	3,48	2,36	1,02	3,42	2,33	1,05	3,32	2,29	1,10	3,16	2,22	1,18
19	27	3,87	2,63	0,86	3,72	2,55	0,94	3,56	2,48	1,02	3,49	2,46	1,05	3,40	2,42	1,10	3,24	2,35	1,18
22	30	4,11	2,52	0,86	3,95	2,46	0,94	3,79	2,40	1,03	3,73	2,38	1,06	3,63	2,34	1,11	3,48	2,28	1,19
24	32	4,27	2,45	0,87	4,11	2,39	0,95	3,95	2,34	1,03	3,89	2,32	1,06	3,79	2,28	1,11	3,63	2,23	1,19

Heating ·220-240V 50Hz·

AFR	8,7
-----	-----

Indoor		Outdoor temperature [°C WB]												
EDB °C	TC	PI	-15		-10		-5		0		6		10	
			TC	PI	TC	PI	TC	PI	TC	PI	TC	PI		
15	1,86	0,92	2,23	0,97	2,61	1,02	2,98	1,07	4,14	1,12	4,50	1,16		
20	1,75	0,95	2,12	1,00	2,50	1,05	2,87	1,09	4,00	1,15	4,36	1,19		
22	1,70	0,96	2,07	1,01	2,45	1,06	2,82	1,10	3,94	1,16	4,31	1,20		
24	1,65	0,97	2,03	1,02	2,40	1,07	2,78	1,11	3,89	1,17	4,25	1,21		
25	1,63	0,98	2,01	1,02	2,38	1,07	2,76	1,12	3,86	1,18	4,22	1,21		
27	1,59	0,99	1,96	1,03	2,33	1,08	2,71	1,13	3,81	1,19	4,02	1,21		

Symbols

- TC: Total capacity [kW]
- PI: Power input [kW]
- SHC: Sensible heat capacity [kW]
- AFR: Air flow rate [m³/min]
- BF: Bypass factor
- EWB: Entering wet-bulb temperature (°C WB)
- EDB: Entering dry-bulb temperature (°C DB)

Notes

- The ratings shown are net capacities which include a deduction for indoor fan motor heat.
- The bold cells indicate the standard conditions.
- The total capacity, power input and sensible heat capacity must be calculated by interpolation, using the figures in the table (figures not in the table may not be used in the calculation).
- In case the sensible heat capacity is not mentioned in the table, please calculate it using an approximation between two values in direct proportion.
- The capacities are based on the following conditions:
Corresponding refrigerant piping length: ·5· m
Level difference: ·0·m
- The air flow rate and bypass factor are mentioned in the table.

3D110090B

4 Capacity tables

4 - 1 Cooling/Heating Capacity Tables

FBA35A9 / RXM35R

Cooling · 220-240V 50Hz ·

AFR	15,0
BF	0,08

Indoor		Outdoor temperature [°C DB]																	
EwB	EDB	20			25			30			32			35			40		
		°C	TC	SHC	PI	TC	SHC	PI	TC	SHC	PI	TC	SHC	PI	TC	SHC	PI	TC	SHC
14	20	3,59	3,18	0,67	3,42	3,11	0,73	3,26	3,03	0,80	3,19	3,00	0,82	3,10	2,96	0,86	2,93	2,89	0,93
16	22	3,75	3,13	0,67	3,58	3,06	0,74	3,42	2,99	0,80	3,36	2,97	0,83	3,26	2,92	0,86	3,10	2,86	0,93
18	25	3,91	3,35	0,68	3,75	3,29	0,74	3,58	3,22	0,80	3,52	3,20	0,83	3,42	3,16	0,87	3,26	3,10	0,93
19	27	3,99	3,60	0,68	3,83	3,54	0,74	3,66	3,48	0,81	3,60	3,45	0,83	3,50	3,42	0,87	3,34	3,36	0,93
22	30	4,23	3,50	0,68	4,07	3,44	0,75	3,90	3,39	0,81	3,84	3,37	0,84	3,74	3,34	0,88	3,58	3,28	0,94
24	32	4,39	3,43	0,69	4,23	3,38	0,75	4,07	3,33	0,82	4,00	3,31	0,84	3,90	3,28	0,88	3,74	3,23	0,94

Heating · 220-240V 50Hz ·

AFR	15,0
-----	------

Indoor		Outdoor temperature [°C WB]											
EDB	°C	-15		-10		-5		0		6		10	
		TC	PI	TC	PI	TC	PI	TC	PI	TC	PI	TC	PI
15	1,86	0,80	2,23	0,84	2,61	0,88	2,98	0,92	4,14	0,97	4,50	1,01	
20	1,75	0,82	2,12	0,86	2,50	0,90	2,87	0,95	4,00	1,00	4,36	1,03	
22	1,70	0,83	2,07	0,87	2,45	0,91	2,82	0,95	3,94	1,00	4,31	1,04	
24	1,65	0,84	2,03	0,88	2,40	0,92	2,78	0,96	3,89	1,01	4,25	1,05	
25	1,63	0,85	2,01	0,89	2,38	0,93	2,76	0,97	3,86	1,02	4,22	1,05	
27	1,59	0,85	1,96	0,90	2,33	0,94	2,71	0,98	3,81	1,03	4,17	1,06	

Symbols

TC: Total capacity [kW]

PI: Power input [kW]

SHC: Sensible heat capacity [kW]

AFR: Air flow rate [m³/min]

BF: Bypass factor

EwB: Entering wet-bulb temperature (°C WB)

EDB: Entering dry-bulb temperature (°C DB)

Notes

- The ratings shown are net capacities which include a deduction for indoor fan motor heat.
- The bold cells indicate the standard conditions.
- The total capacity, power input and sensible heat capacity must be calculated by interpolation, using the figures in the table (figures not in the table may not be used in the calculation).
- In case the sensible heat capacity is not mentioned in the table, please calculate it using an approximation between two values in direct proportion.
- The capacities are based on the following conditions:
Corresponding refrigerant piping length: ·5· m
Level difference: ·0· m
- The air flow rate and bypass factor are mentioned in the table.

3D110072B

FVXM35F / RXM35R

Cooling · 220-240V 50Hz ·

AFR	8,5
BF	0,11

Indoor		Outdoor temperature [°C DB]																	
EwB	EDB	20			25			30			32			35			40		
		°C	TC	SHC	PI	TC	SHC	PI	TC	SHC	PI	TC	SHC	PI	TC	SHC	PI	TC	SHC
14	20	3,11	2,29	0,75	3,11	2,29	0,86	3,11	2,29	0,96	3,11	2,29	1,01	3,10	2,29	1,08	2,93	2,21	1,16
16	22	3,75	2,50	0,84	3,58	2,42	0,92	3,42	2,34	1,00	3,36	2,31	1,03	3,26	2,26	1,08	3,10	2,18	1,16
18	25	3,91	2,60	0,85	3,75	2,52	0,93	3,58	2,45	1,01	3,52	2,42	1,04	3,42	2,37	1,09	3,26	2,30	1,17
19	27	3,99	2,72	0,85	3,83	2,65	0,93	3,66	2,57	1,01	3,60	2,55	1,04	3,50	2,50	1,09	3,34	2,43	1,17
22	30	4,23	2,61	0,86	4,07	2,55	0,94	3,90	2,49	1,02	3,84	2,46	1,05	3,74	2,43	1,10	3,58	2,36	1,18
24	32	4,39	2,54	0,86	4,23	2,48	0,94	4,07	2,42	1,02	4,00	2,40	1,05	3,90	2,37	1,10	3,74	2,31	1,18

Heating · 220-240V 50Hz ·

AFR	9,4
-----	-----

Indoor		Outdoor temperature [°C WB]											
EDB	°C	-15		-10		-5		0		6		10	
		TC	PI	TC	PI	TC	PI	TC	PI	TC	PI	TC	PI
15	2,09	0,96	2,51	1,01	2,94	1,06	3,36	1,10	4,66	1,16	5,06	1,20	
20	1,96	0,98	2,39	1,03	2,81	1,08	3,23	1,13	4,50	1,19	4,91	1,23	
22	1,91	1,00	2,33	1,04	2,76	1,09	3,18	1,14	4,44	1,20	4,84	1,24	
24	1,86	1,01	2,28	1,06	2,70	1,10	3,13	1,15	4,38	1,21	4,78	1,25	
25	1,83	1,01	2,26	1,06	2,68	1,11	3,10	1,16	4,34	1,22	4,75	1,26	
27	1,78	1,02	2,20	1,07	2,63	1,12	3,05	1,17	4,28	1,23	4,49	1,26	

Symbols

TC: Total capacity [kW]

PI: Power input [kW]

SHC: Sensible heat capacity [kW]

AFR: Air flow rate [m³/min]

BF: Bypass factor

EwB: Entering wet-bulb temperature (°C WB)

EDB: Entering dry-bulb temperature (°C DB)

Notes

- The ratings shown are net capacities which include a deduction for indoor fan motor heat.
- The bold cells indicate the standard conditions.
- The total capacity, power input and sensible heat capacity must be calculated by interpolation, using the figures in the table (figures not in the table may not be used in the calculation).
- In case the sensible heat capacity is not mentioned in the table, please calculate it using an approximation between two values in direct proportion.
- The capacities are based on the following conditions:
Corresponding refrigerant piping length: ·5· m
Level difference: ·0· m
- The air flow rate and bypass factor are mentioned in the table.

3D110094B

4 Capacity tables

4 - 1 Cooling/Heating Capacity Tables

4

FHA35A9 / RXM35R

Cooling · 220-240V 50Hz ·

AFR	14,0
BF	0,17

Indoor		Outdoor temperature [°C DB]																	
EWB	EDB	20			25			30			32			35			40		
		TC	SHC	PI	TC	SHC	PI	TC	SHC	PI	TC	SHC	PI	TC	SHC	PI	TC	SHC	PI
14	20	3,48	2,89	0,70	3,33	2,82	0,77	3,17	2,75	0,83	3,10	2,72	0,86	3,01	2,67	0,90	2,85	2,60	0,97
16	22	3,64	2,85	0,70	3,48	2,78	0,77	3,32	2,71	0,84	3,26	2,68	0,87	3,17	2,64	0,91	3,01	2,57	0,97
18	25	3,80	3,03	0,71	3,64	2,96	0,77	3,48	2,90	0,84	3,42	2,87	0,87	3,32	2,83	0,91	3,16	2,77	0,98
19	27	3,87	3,23	0,71	3,72	3,17	0,78	3,56	3,11	0,84	3,49	3,08	0,87	3,40	3,05	0,91	3,24	2,99	0,98
22	30	4,11	3,13	0,72	3,95	3,08	0,78	3,79	3,02	0,85	3,73	3,00	0,88	3,63	2,97	0,92	3,48	2,92	0,98
24	32	4,27	3,06	0,72	4,11	3,01	0,79	3,95	2,96	0,85	3,89	2,95	0,88	3,79	2,92	0,92	3,63	2,87	0,99

Heating · 220-240V 50Hz ·

AFR	14,0
-----	------

Indoor		Outdoor temperature [°C WB]											
EDB	°C	-15		-10		-5		0		6		10	
		TC	PI	TC	PI	TC	PI	TC	PI	TC	PI	TC	PI
15	1,86	0,79	2,23	0,83	2,61	0,87	2,98	0,91	4,14	0,96	4,50	0,99	
20	1,75	0,81	2,12	0,85	2,50	0,89	2,87	0,93	4,00	0,98	4,36	1,01	
22	1,70	0,82	2,07	0,86	2,45	0,90	2,82	0,94	3,94	0,99	4,31	1,02	
24	1,65	0,83	2,03	0,87	2,40	0,91	2,78	0,95	3,89	1,00	4,25	1,03	
25	1,63	0,83	2,01	0,87	2,38	0,91	2,76	0,95	3,86	1,00	4,22	1,03	
27	1,59	0,84	1,96	0,88	2,33	0,92	2,71	0,96	3,81	1,01	4,17	1,04	

Symbols
 TC: Total capacity [kW]
 PI: Power input [kW]
 SHC: Sensible heat capacity [kW]
 AFR: Air flow rate [m³/min]
 BF: Bypass factor
 EWB: Entering wet-bulb temperature (°C WB)
 EDB: Entering dry-bulb temperature (°C DB)

Notes

- The ratings shown are net capacities which include a deduction for indoor fan motor heat.
- The bold cells indicate the standard conditions.
- The total capacity, power input and sensible heat capacity must be calculated by interpolation, using the figures in the table (figures not in the table may not be used in the calculation).
- In case the sensible heat capacity is not mentioned in the table, please calculate it using an approximation between two values in direct proportion.
- The capacities are based on the following conditions:
 Corresponding refrigerant piping length: ·5· m
 Level difference: ·0·m
- The air flow rate and bypass factor are mentioned in the table.

3D110086B

FDXM35F9 / RXM35R

Cooling · 220-240V 50Hz ·

AFR	8,7
BF	0,17

Indoor		Outdoor temperature [°C DB]																	
EWB	EDB	20			25			30			32			35			40		
		TC	SHC	PI	TC	SHC	PI	TC	SHC	PI	TC	SHC	PI	TC	SHC	PI	TC	SHC	PI
14	20	2,96	2,19	0,78	2,96	2,19	0,89	2,96	2,19	1,01	2,96	2,19	1,05	2,96	2,19	1,13	2,85	2,13	1,22
16	22	3,64	2,42	0,89	3,48	2,34	0,97	3,32	2,26	1,06	3,26	2,23	1,09	3,17	2,18	1,14	3,01	2,11	1,23
18	25	3,80	2,51	0,89	3,64	2,43	0,98	3,48	2,36	1,06	3,42	2,33	1,10	3,32	2,29	1,15	3,16	2,22	1,23
19	27	3,87	2,63	0,89	3,72	2,55	0,98	3,56	2,48	1,06	3,49	2,46	1,10	3,40	2,42	1,15	3,24	2,35	1,23
22	30	4,11	2,52	0,90	3,95	2,46	0,99	3,79	2,40	1,07	3,73	2,38	1,11	3,63	2,34	1,16	3,48	2,28	1,24
24	32	4,27	2,45	0,91	4,11	2,39	0,99	3,95	2,34	1,08	3,89	2,32	1,11	3,79	2,28	1,16	3,63	2,23	1,25

Heating · 220-240V 50Hz ·

AFR	8,7
-----	-----

Indoor		Outdoor temperature [°C WB]											
EDB	°C	-15		-10		-5		0		6		10	
		TC	PI	TC	PI	TC	PI	TC	PI	TC	PI	TC	PI
15	1,86	0,92	2,23	0,97	2,61	1,02	2,98	1,07	4,14	1,12	4,50	1,16	
20	1,75	0,95	2,12	1,00	2,50	1,05	2,87	1,09	4,00	1,15	4,36	1,19	
22	1,70	0,96	2,07	1,01	2,45	1,06	2,82	1,10	3,94	1,16	4,31	1,20	
24	1,65	0,97	2,03	1,02	2,40	1,07	2,78	1,11	3,89	1,17	4,25	1,21	
25	1,63	0,98	2,01	1,02	2,38	1,07	2,76	1,12	3,86	1,18	4,22	1,21	
27	1,59	0,99	1,96	1,03	2,33	1,08	2,71	1,13	3,81	1,19	4,02	1,21	

Symbols
 TC: Total capacity [kW]
 PI: Power input [kW]
 SHC: Sensible heat capacity [kW]
 AFR: Air flow rate [m³/min]
 BF: Bypass factor
 EWB: Entering wet-bulb temperature (°C WB)
 EDB: Entering dry-bulb temperature (°C DB)

Notes

- The ratings shown are net capacities which include a deduction for indoor fan motor heat.
- The bold cells indicate the standard conditions.
- The total capacity, power input and sensible heat capacity must be calculated by interpolation, using the figures in the table (figures not in the table may not be used in the calculation).
- In case the sensible heat capacity is not mentioned in the table, please calculate it using an approximation between two values in direct proportion.
- The capacities are based on the following conditions:
 Corresponding refrigerant piping length: ·5· m
 Level difference: ·0·m
- The air flow rate and bypass factor are mentioned in the table.

3D110079B

4 Capacity tables

4 - 1 Cooling/Heating Capacity Tables

4

FFA35A9 / RXM35R

Cooling · 220-240V 50Hz·

AFR	10,0
BF	0,25

Indoor		Outdoor temperature [°C DB]																	
°C	EDB	20			25			30			32			35			40		
		TC	SHC	PI	TC	SHC	PI	TC	SHC	PI	TC	SHC	PI	TC	SHC	PI	TC	SHC	PI
14	20	3,08	2,27	0,62	3,08	2,27	0,71	3,08	2,27	0,80	3,08	2,27	0,84	3,01	2,24	0,88	2,85	2,16	0,95
16	22	3,64	2,44	0,69	3,48	2,36	0,75	3,32	2,28	0,82	3,26	2,25	0,85	3,17	2,21	0,89	3,01	2,13	0,95
18	25	3,80	2,54	0,69	3,64	2,46	0,76	3,48	2,39	0,82	3,42	2,36	0,85	3,32	2,32	0,89	3,16	2,25	0,96
19	27	3,87	2,66	0,69	3,72	2,59	0,76	3,56	2,52	0,83	3,49	2,49	0,85	3,40	2,45	0,89	3,24	2,39	0,96
22	30	4,11	2,56	0,70	3,95	2,50	0,77	3,79	2,44	0,83	3,73	2,41	0,86	3,63	2,38	0,90	3,48	2,32	0,96
24	32	4,27	2,49	0,70	4,11	2,43	0,77	3,95	2,37	0,84	3,89	2,35	0,86	3,79	2,32	0,90	3,63	2,26	0,97

Heating · 220-240V 50Hz·

AFR	10,0
-----	------

Indoor		Outdoor temperature [°C WB]											
°C	EDB	-15		-10		-5		0		6		10	
		TC	PI	TC	PI	TC	PI	TC	PI	TC	PI	TC	PI
15	1,95	0,97	2,35	1,01	2,74	1,06	3,13	1,11	4,34	1,17	4,72	1,21	
20	1,83	0,99	2,23	1,04	2,62	1,09	3,01	1,14	4,20	1,20	4,58	1,24	
22	1,78	1,00	2,18	1,05	2,57	1,10	2,97	1,15	4,14	1,21	4,52	1,25	
24	1,74	1,01	2,13	1,06	2,52	1,11	2,92	1,16	4,08	1,22	4,46	1,26	
25	1,71	1,02	2,11	1,07	2,50	1,12	2,89	1,17	4,06	1,23	4,43	1,27	
27	1,66	1,03	2,06	1,08	2,45	1,13	2,85	1,18	4,00	1,24	4,38	1,28	

Symbols

- TC: Total capacity [kW]
- PI: Power input [kW]
- SHC: Sensible heat capacity [kW]
- AFR: Air flow rate [m³/min]
- BF: Bypass factor
- EWB: Entering wet-bulb temperature [°C WB]
- EDB: Entering dry-bulb temperature [°C DB]

Notes

- The ratings shown are net capacities which include a deduction for indoor fan motor heat.
- The bold cells indicate the standard conditions.
- The total capacity, power input and sensible heat capacity must be calculated by interpolation, using the figures in the table (figures not in the table may not be used in the calculation).
- In case the sensible heat capacity is not mentioned in the table, please calculate it using an approximation between two values in direct proportion.
- The capacities are based on the following conditions:
Corresponding refrigerant piping length: ·5· m
Level difference: ·0·m
- The air flow rate and bypass factor are mentioned in the table.

3D110083B

FTXM35R / RXM35R

Cooling 50Hz 220 -240V

AFR	11,33
BF	0,20

INDOOR		Outdoor temperature [° C DB]																	
°C	EDB	20			25			30			32			35			40		
		TC	SHC	PI	TC	SHC	PI	TC	SHC	PI	TC	SHC	PI	TC	SHC	PI	TC	SHC	PI
14	20	3,48	2,54	0,62	3,33	2,48	0,68	3,17	2,42	0,74	3,10	2,40	0,76	3,01	2,38	0,79	2,85	2,34	0,85
16	22	3,64	2,43	0,62	3,48	2,37	0,68	3,32	2,31	0,74	3,26	2,29	0,76	3,17	2,26	0,80	3,01	2,21	0,86
18	25	3,80	2,54	0,62	3,64	2,48	0,68	3,48	2,44	0,74	3,42	2,42	0,77	3,32	2,40	0,80	3,16	2,38	0,86
19	27	3,87	2,71	0,63	3,72	2,68	0,68	3,56	2,65	0,74	3,49	2,65	0,77	3,40	2,64	0,80	3,24	2,65	0,86
22	30	4,11	2,48	0,63	3,95	2,43	0,69	3,79	2,40	0,75	3,73	2,39	0,77	3,63	2,37	0,81	3,48	2,35	0,87
24	32	4,27	2,33	0,63	4,11	2,28	0,69	3,95	2,24	0,75	3,89	2,23	0,78	3,79	2,21	0,81	3,63	2,19	0,87

Heating 50Hz 220 -240V

AFR	9,78
-----	------

INDOOR		Outdoor temperature [° C WB]											
°C	EDB	-15		-10		-5		0		7		10	
		TC	PI	TC	PI	TC	PI	TC	PI	TC	PI	TC	PI
15	2,31	0,75	2,74	0,79	3,13	0,84	3,35	0,88	4,21	0,94	4,47	0,96	
20	2,10	0,80	2,53	0,85	2,96	0,89	3,16	0,93	4,00	0,99	4,26	1,02	
22	2,02	0,82	2,45	0,87	2,88	0,91	3,08	0,95	3,92	1,01	4,18	1,04	
24	1,93	0,84	2,36	0,89	2,80	0,93	3,01	0,97	3,83	1,02	4,09	1,06	
25	1,89	0,86	2,32	0,90	2,75	0,94	2,97	0,98	3,79	1,02	4,05	1,07	
27	1,81	0,88	2,24	0,92	2,67	0,96	2,90	1,00	3,71	1,03	3,97	1,09	

Symbols

- AFR: Air flow rate [m³/min]
- BF: Bypass factor
- EWB: Entering wet-bulb temperature [° C WB]
- EDB: Entering dry-bulb temperature [° C DB]
- TC: Total capacity [kW]
- SHC: Sensible heat capacity [kW]
- PI: Power input [kW]

Notes

- The ratings shown are net capacities which include a deduction for indoor fan motor heat.
- Nominal capacity and nominal input
- The total capacity, power input and sensible heat capacity must be calculated by interpolation, using the figures in the table (figures not in the table may not be used in the calculation).
- In case the sensible heat capacity is not mentioned in the table, please calculate it using an approximation between two values in direct proportion.
- The capacities are based on the following conditions:
Corresponding refrigerant piping length: ·5· m
Level difference: ·0·m
- The air flow rate and bypass factor are mentioned in the table.

4D130636

4 Capacity tables

4 - 1 Cooling/Heating Capacity Tables

4

FCAG35B / RXM35R

Cooling ·220-240V 50Hz·

AFR	12,5
BF	0,4

Indoor		Outdoor temperature [°C DB]																	
°C	EDB	20			25			30			32			35			40		
		TC	SHC	PI	TC	SHC	PI	TC	SHC	PI	TC	SHC	PI	TC	SHC	PI	TC	SHC	PI
14	20	3,08	2,27	0,63	3,08	2,27	0,72	3,08	2,27	0,81	3,08	2,27	0,85	3,01	2,24	0,89	2,85	2,16	0,96
16	22	3,64	2,44	0,70	3,48	2,36	0,76	3,32	2,28	0,83	3,26	2,25	0,86	3,17	2,21	0,90	3,01	2,13	0,96
18	25	3,80	2,54	0,70	3,64	2,46	0,77	3,48	2,39	0,83	3,42	2,36	0,86	3,32	2,32	0,90	3,16	2,25	0,97
19	27	3,87	2,66	0,70	3,72	2,59	0,77	3,56	2,52	0,84	3,49	2,49	0,86	3,40	2,45	0,90	3,24	2,39	0,97
22	30	4,11	2,56	0,71	3,95	2,50	0,77	3,79	2,44	0,84	3,73	2,41	0,87	3,63	2,38	0,91	3,48	2,32	0,97
24	32	4,27	2,49	0,71	4,11	2,43	0,78	3,95	2,37	0,85	3,89	2,35	0,87	3,79	2,32	0,91	3,63	2,26	0,98

Heating ·220-240V 50Hz·

AFR	12,5
-----	------

Indoor		Outdoor temperature [°C WB]											
°C	EDB	-15		-10		-5		0		6		10	
		TC	PI	TC	PI	TC	PI	TC	PI	TC	PI	TC	PI
15	1,95	0,97	2,35	1,01	2,74	1,06	3,13	1,11	4,34	1,17	4,72	1,21	
20	1,83	0,99	2,23	1,04	2,62	1,09	3,01	1,14	4,20	1,20	4,58	1,24	
22	1,78	1,00	2,18	1,05	2,57	1,10	2,97	1,15	4,14	1,21	4,52	1,25	
24	1,74	1,01	2,13	1,06	2,52	1,11	2,92	1,16	4,08	1,22	4,46	1,26	
25	1,71	1,02	2,11	1,07	2,50	1,12	2,89	1,17	4,06	1,23	4,43	1,27	
27	1,66	1,03	2,06	1,08	2,45	1,13	2,85	1,18	4,00	1,24	4,38	1,28	

Symbols

TC: Total capacity [kW]

PI: Power input [kW]

SHC: Sensible heat capacity [kW]

AFR: Air flow rate [m³/min]

BF: Bypass factor

EWB: Entering wet-bulb temperature (°C WB)

EDB: Entering dry-bulb temperature (°C DB)

Notes

- The ratings shown are net capacities which include a deduction for indoor fan motor heat.
- The bold cells indicate the standard conditions.
- The total capacity, power input and sensible heat capacity must be calculated by interpolation, using the figures in the table (figures not in the table may not be used in the calculation).
- In case the sensible heat capacity is not mentioned in the table, please calculate it using an approximation between two values in direct proportion.
- The capacities are based on the following conditions:
Corresponding refrigerant piping length: ·5· m
Level difference: ·0·m
- The air flow rate and bypass factor are mentioned in the table.

3D110075C

FTXM35N / RXM35R

Cooling ·220-240V 50Hz·

AFR	12,3
BF	0,21

Indoor		Outdoor temperature [°C DB]																	
°C	EDB	20			25			30			32			35			40		
		TC	SHC	PI	TC	SHC	PI	TC	SHC	PI	TC	SHC	PI	TC	SHC	PI	TC	SHC	PI
14	20	3,48	2,66	0,59	3,32	2,60	0,67	3,16	2,52	0,73	3,11	2,49	0,75	3,01	2,45	0,79	2,85	2,38	0,85
16	22	3,64	2,63	0,62	3,48	2,57	0,68	3,32	2,49	0,73	3,27	2,46	0,76	3,17	2,42	0,79	3,01	2,35	0,86
18	25	3,80	2,77	0,62	3,64	2,70	0,68	3,48	2,64	0,74	3,42	2,61	0,76	3,32	2,58	0,80	3,17	2,51	0,86
19	27	3,88	2,93	0,62	3,72	2,88	0,69	3,56	2,81	0,74	3,50	2,78	0,76	3,40	2,74	0,80	3,25	2,68	0,86
22	30	4,11	2,84	0,63	3,96	2,78	0,69	3,79	2,72	0,74	3,73	2,70	0,77	3,63	2,67	0,81	3,48	2,61	0,87
24	32	4,27	2,77	0,63	4,11	2,71	0,70	3,96	2,66	0,75	3,89	2,64	0,77	3,79	2,61	0,81	3,63	2,57	0,87

Heating ·220-240V 50Hz·

AFR	10,8
-----	------

Indoor		Outdoor temperature [°C WB]											
°C	EDB	-15		-10		-5		0		6		10	
		TC	PI	TC	PI	TC	PI	TC	PI	TC	PI	TC	PI
15	1,90	0,64	2,29	0,67	2,67	0,71	3,60	0,92	4,14	0,97	4,50	1,00	
20	1,79	0,66	2,17	0,68	2,56	0,72	3,46	0,94	4,00	0,99	4,36	1,03	
22	1,74	0,66	2,12	0,70	2,51	0,73	3,40	0,96	3,94	1,00	4,31	1,04	
24	1,69	0,67	2,08	0,71	2,46	0,73	3,35	0,96	3,89	1,01	4,25	1,04	
25	1,67	0,67	2,05	0,71	2,44	0,74	3,32	0,97	3,86	1,01	4,22	1,05	
27	1,62	0,68	2,01	0,71	2,39	0,74	3,26	0,97	3,81	1,03	4,17	1,05	

Symbols

TC: Total capacity [kW]

PI: Power input [kW]

SHC: Sensible heat capacity [kW]

AFR: Air flow rate [m³/min]

BF: Bypass factor

EWB: Entering wet-bulb temperature (°C WB)

EDB: Entering dry-bulb temperature (°C DB)

Notes

- The capacities are based on the following conditions:
Corresponding refrigerant piping length: ·5· m
Level difference: ·0·m
- The bold cells indicate the standard conditions.
Rated operating frequency [Hz]

3D120716A

4 Capacity tables

4 - 1 Cooling/Heating Capacity Tables

FVXM35A / RXM35R

AFR	9,2
BF	0,11

Cooling ·220-240V 50Hz·

Indoor air temperature [°C WB]	Indoor air temperature [°C DB]	Outdoor air temperature [°C DB]																	
		20			25			30			32			35			40		
		TC	SHC	PI	TC	SHC	PI	TC	SHC	PI	TC	SHC	PI	TC	SHC	PI	TC	SHC	PI
14	20	3,35	2,39	0,63	3,33	2,38	0,70	3,17	2,32	0,76	3,10	2,29	0,79	3,01	2,26	0,82	2,85	2,20	0,89
16	22	3,64	2,36	0,64	3,48	2,29	0,70	3,32	2,22	0,77	3,26	2,20	0,79	3,17	2,16	0,83	3,01	2,10	0,89
18	25	3,80	2,44	0,65	3,64	2,38	0,71	3,48	2,32	0,77	3,42	2,30	0,79	3,32	2,27	0,83	3,16	2,23	0,89
19	27	3,87	2,58	0,65	3,72	2,53	0,71	3,56	2,49	0,77	3,49	2,47	0,80	3,40	2,45	0,83	3,24	2,43	0,89
22	30	4,11	2,38	0,65	3,95	2,32	0,72	3,79	2,27	0,78	3,73	2,26	0,80	3,63	2,23	0,84	3,48	2,19	0,90
24	32	4,27	2,25	0,66	4,11	2,20	0,72	3,95	2,15	0,78	3,89	2,13	0,81	3,79	2,10	0,84	3,63	2,06	0,90

Heating ·220-240V 50Hz·

AFR	9,8
-----	-----

Indoor air temperature [°C DB]	Outdoor air temperature [°C DB]													
	-20		-15		-10		-5		0		7		10	
	TC	PI	TC	PI	TC	PI	TC	PI	TC	PI	TC	PI	TC	PI
15	2,71	0,97	3,08	1,00	3,45	1,03	3,17	1,06	3,47	1,09	4,71	1,13	4,93	1,15
20	2,14	1,02	2,87	1,05	3,24	1,08	3,00	1,11	3,30	1,14	4,50	1,18	4,72	1,20
22	1,78	1,05	2,78	1,08	3,15	1,10	2,93	1,13	1,81	1,16	4,42	1,20	4,64	1,22
24	1,42	1,07	2,70	1,10	3,07	1,12	3,44	1,15	1,73	1,18	4,33	1,21	4,55	1,24
25	1,24	1,08	2,66	1,11	3,03	1,14	3,40	1,16	1,70	1,19	4,29	1,22	4,51	1,25
27	0,89	1,10	2,49	1,13	2,94	1,16	3,32	1,18	1,62	1,21	4,21	1,23	4,43	1,27

Heating capacity at nominal operating frequency, measured according to ·EN 14511·.

Notes

- The capacities are based on the following conditions:
Corresponding refrigerant piping length: ·5,0· m
Level difference: ·0· m
- The bold cells indicate the standard conditions.

Symbols

- TC: Total capacity [kW]
PI: Power input [kW]
SHC: Sensible heat capacity [kW]
AFR: Air flow rate [m³/min]
BF: Bypass factor

3D130940

FTXM42R / RXM42R

AFR	11,93
BF	0,21

Cooling 50Hz 220 -240V

INDOOR		Outdoor temperature [°C DB]																	
EWB	EDB	20			25			30			32			35			40		
		TC	SHC	PI	TC	SHC	PI	TC	SHC	PI	TC	SHC	PI	TC	SHC	PI	TC	SHC	PI
14	20	3,86	2,83	0,71	3,86	2,83	0,79	3,86	2,83	0,88	3,83	2,82	0,92	3,72	2,77	0,96	3,52	2,71	1,03
16	22	4,50	2,91	0,75	4,30	2,82	0,82	4,11	2,74	0,89	4,03	2,70	0,92	3,91	2,66	0,96	3,71	2,58	1,04
18	25	4,69	3,01	0,75	4,49	2,93	0,82	4,30	2,86	0,90	4,22	2,83	0,92	4,10	2,79	0,97	3,91	2,73	1,04
19	27	4,79	3,17	0,75	4,59	3,11	0,83	4,40	3,05	0,90	4,32	3,03	0,93	4,20	3,00	0,97	4,00	2,97	1,04
22	30	5,08	2,93	0,76	4,88	2,86	0,83	4,69	2,80	0,90	4,61	2,77	0,93	4,49	2,74	0,98	4,29	2,69	1,05
24	32	5,27	2,77	0,77	5,07	2,70	0,84	4,88	2,64	0,91	4,80	2,61	0,94	4,68	2,58	0,98	4,49	2,53	1,05

Heating 50Hz 220 -240V

AFR	12,42
-----	-------

INDOOR		Outdoor temperature [°C WB]													
EDB	°C	-15		-10		-5		0		7		10			
		TC	PI	TC	PI	TC	PI	TC	PI	TC	PI	TC	PI		
15	2,66	0,79	3,33	0,89	4,00	1,00	3,87	1,11	5,61	1,26	6,01	1,32			
20	2,45	0,84	3,12	0,95	3,79	1,05	3,70	1,16	5,40	1,31	5,80	1,38			
22	2,36	0,86	3,03	0,97	3,70	1,07	3,63	1,18	5,32	1,33	5,72	1,40			
24	2,28	0,88	2,95	0,99	3,62	1,09	3,56	1,20	5,23	1,35	5,63	1,42			
25	2,24	0,89	2,91	1,00	3,58	1,10	3,52	1,21	5,19	1,35	5,59	1,43			
27	2,15	0,91	2,82	1,02	3,49	1,13	3,45	1,23	5,11	1,36	5,51	1,45			

Symbols

- AFR: Air flow rate [m³/min]
BF: Bypass factor
EWB: Entering wet-bulb temperature [°C WB]
EDB: Entering dry-bulb temperature [°C DB]
TC: Total capacity [kW]
SHC: Sensible heat capacity [kW]
PI: Power input [kW]

Notes

- The ratings shown are net capacities which include a deduction for indoor fan motor heat.
- Nominal capacity and nominal input
- The total capacity, power input and sensible heat capacity must be calculated by interpolation, using the figures in the table (figures not in the table may not be used in the calculation).
- In case the sensible heat capacity is not mentioned in the table, please calculate it using an approximation between two values in direct proportion.
- The capacities are based on the following conditions:
Corresponding refrigerant piping length: ·5· m
Level difference: ·0· m
- The air flow rate and bypass factor are mentioned in the table.

4D130637

4 Capacity tables

4 - 1 Cooling/Heating Capacity Tables

4

FTXM50R / RXM50R

Cooling

·50· Hz ·220-240· V

AFR	15,45
BF	0,21

Indoor		Outdoor temperature [°C DB]																	
EWB	EDB	20			25			30			32			35			40		
		TC	SHC	PI	TC	SHC	PI	TC	SHC	PI	TC	SHC	PI	TC	SHC	PI	TC	SHC	PI
14	20	5,12	3,89	1,04	4,89	3,82	1,14	4,66	3,76	1,24	4,56	3,74	1,28	4,42	3,71	1,34	4,19	3,69	1,44
16	22	5,35	3,70	1,05	5,12	3,62	1,15	4,89	3,55	1,25	4,79	3,53	1,29	4,65	3,50	1,35	4,42	3,45	1,45
18	25	5,58	3,90	1,05	5,35	3,84	1,15	5,12	3,80	1,26	5,02	3,79	1,30	4,88	3,78	1,36	4,65	3,77	1,46
19	27	5,70	4,24	1,06	5,47	4,21	1,16	5,23	4,22	1,26	5,14	4,22	1,30	5,00	4,25	1,36	4,77	4,31	1,46
22	30	6,04	3,82	1,07	5,81	3,78	1,17	5,58	3,75	1,27	5,49	3,75	1,31	5,35	3,74	1,37	5,11	3,76	1,47
24	32	6,27	3,57	1,07	6,04	3,53	1,17	5,81	3,49	1,27	5,72	3,48	1,31	5,58	3,46	1,37	5,34	3,45	1,47

Heating

·50· Hz ·220-240· V

AFR	15,33
-----	-------

Indoor		Outdoor temperature [°C WB]											
EDB	TC	-15		-10		-5		0		7		10	
		TC	PI	TC	PI	TC	PI	TC	PI	TC	PI	TC	PI
15	2,76	0,93	3,32	0,98	3,88	1,03	4,03	1,35	6,00	1,42	6,52	1,47	
20	2,59	0,96	3,15	1,01	3,71	1,05	3,88	1,38	5,80	1,45	6,32	1,50	
22	2,52	0,97	3,08	1,02	3,64	1,07	3,81	1,39	5,72	1,46	6,24	1,51	
24	2,46	0,98	3,01	1,03	3,57	1,08	3,75	1,40	5,64	1,48	6,16	1,52	
25	2,42	0,99	2,98	1,03	3,54	1,08	3,68	1,41	5,60	1,48	6,12	1,53	
27	2,35	1,00	2,91	1,04	3,47	1,09	3,62	1,42	5,52	1,50	6,04	1,54	

Symbols

- AFR: Air flow rate [m³/min]
- BF: Bypass factor
- EWB: Entering wet-bulb temperature (°C WB)
- EDB: Entering dry-bulb temperature (°C DB)
- TC: Total capacity [kW]
- SHC: Sensible heat capacity [kW]
- PI: Power input [kW]

Notes

- 1) The ratings shown are net capacities which include a deduction for indoor fan motor heat.
- 2) On the figure the □ mark shows the rated capacity and rated coefficient of the power input.
- 3) The total capacity, power input and sensible heat capacity must be calculated by interpolation, using the figures in the table (figures not in the table may not be used in the calculation).
- 4) In case the sensible heat capacity is not mentioned in the table, please calculate it using an approximation between two values in direct proportion.
- 5) The capacities are based on the following conditions:
Corresponding refrigerant piping length: ·5· m
Level difference: ·0· m
- 6) The air flow rate and bypass factor are mentioned in the table.

3D131701

FTXM50N / RXM50R

FTXM50R / RXM50R

Cooling

·50· Hz ·220 - 240· V

AFR	16,1
BF	0,13

Indoor temperature		Outdoor temperature [°C DB]																	
EWB	EDB	20			25			30			32			35			40		
		TC	SHC	PI	TC	SHC	PI	TC	SHC	PI	TC	SHC	PI	TC	SHC	PI	TC	SHC	PI
14,0	20	4,11	3,04	1,07	3,88	2,93	1,14	3,65	2,83	1,21	3,55	2,78	1,28	3,41	2,72	1,34	3,18	2,62	1,44
16,0	22	5,26	3,46	1,08	5,03	3,35	1,15	4,80	3,25	1,22	4,70	3,20	1,29	4,56	3,14	1,35	4,33	3,04	1,44
18,0	25	5,58	3,66	1,08	5,35	3,55	1,15	5,12	3,45	1,22	5,02	3,40	1,29	4,88	3,34	1,36	4,65	3,24	1,45
19,0	27	5,70	3,83	1,09	5,47	3,72	1,16	5,23	3,62	1,23	5,14	3,58	1,30	5,00	3,52	1,36	4,77	3,42	1,45
22,0	30	6,04	3,68	1,09	5,81	3,59	1,16	5,58	3,50	1,23	5,49	3,46	1,30	5,35	3,40	1,37	5,11	3,32	1,46
24,0	32	6,27	3,57	1,09	6,04	3,49	1,16	5,81	3,40	1,23	5,72	3,37	1,30	5,58	3,32	1,38	5,34	3,24	1,47

Heating

·50· Hz ·220 - 240· V

AFR	17,1
-----	------

Indoor temperature		Outdoor temperature [°C WB]											
EDB	TC	-15		-10		-5		0		6		10	
		TC	PI	TC	PI	TC	PI	TC	PI	TC	PI	TC	PI
15,0	2,76	0,93	3,32	0,98	3,88	1,03	4,43	1,35	6,00	1,42	6,52	1,47	
20,0	2,59	0,96	3,15	1,01	3,71	1,05	4,26	1,38	5,80	1,45	6,32	1,50	
22,0	2,52	0,97	3,08	1,02	3,64	1,07	4,19	1,39	5,72	1,46	6,24	1,51	
24,0	2,46	0,98	3,01	1,03	3,57	1,08	4,12	1,40	5,64	1,48	6,16	1,52	
25,0	2,42	0,99	2,98	1,03	3,54	1,08	4,09	1,41	5,60	1,48	6,12	1,53	
27,0	2,35	1,00	2,91	1,04	3,47	1,09	4,02	1,42	5,52	1,50	6,04	1,54	

Symbols

- AFR: Air flow rate [m³/min]
- BF: Bypass factor
- EWB: Entering wet-bulb temperature (°C WB)
- EDB: Entering dry-bulb temperature (°C DB)
- TC: Total capacity [kW]
- SHC: Sensible heat capacity [kW]
- PI: Power input [kW]

Notes

1. The ratings shown are net capacities which include a deduction for indoor fan motor heat.
2. On the figure the □ mark shows the rated capacity and rated coefficient of the power input.
3. The total capacity, power input and sensible heat capacity must be calculated by interpolation, using the figures in the table (figures not in the table may not be used in the calculation).
4. In case the sensible heat capacity is not mentioned in the table, please calculate it using an approximation between two values in direct proportion.
5. The capacities are based on the following conditions:
Corresponding refrigerant piping length: ·5· m
Level difference: ·0· m
6. The air flow rate and bypass factor are mentioned in the table.

3D120632A

4 Capacity tables

4 - 1 Cooling/Heating Capacity Tables

FBA50A9 / RXM50R

Cooling

·50· Hz ·220 - 240· V

AFR	15,0
BF	0,13

Indoor temperature		Outdoor temperature [°C DB]																	
EWB	EDB	20			25			30			32			35			40		
		TC	SHC	PI	TC	SHC	PI	TC	SHC	PI	TC	SHC	PI	TC	SHC	PI	TC	SHC	PI
14,0	20	5,12	3,84	1,08	4,89	3,72	1,18	4,66	3,61	1,29	4,56	3,56	1,33	4,42	3,49	1,39	4,19	3,38	1,50
16,0	22	5,35	3,77	1,09	5,12	3,66	1,19	4,89	3,55	1,29	4,79	3,51	1,34	4,65	3,45	1,40	4,42	3,34	1,50
18,0	25	5,58	3,95	1,09	5,35	3,85	1,20	5,12	3,75	1,30	5,02	3,71	1,34	4,88	3,66	1,40	4,65	3,56	1,51
19,0	27	5,70	4,18	1,10	5,47	4,08	1,20	5,23	3,98	1,30	5,14	3,94	1,35	5,00	3,89	1,41	4,77	3,79	1,51
22,0	30	6,04	4,03	1,11	5,81	3,94	1,21	5,58	3,86	1,31	5,49	3,82	1,35	5,35	3,77	1,42	5,11	3,69	1,52
24,0	32	6,27	3,92	1,11	6,04	3,85	1,22	5,81	3,77	1,32	5,72	3,74	1,36	5,58	3,69	1,42	5,34	3,62	1,53

Heating

·50· Hz ·220 - 240· V

AFR	15,0
-----	------

Indoor temperature		Outdoor temperature [°C WB]											
EDB	°C	-15		-10		-5		0		6		10	
		TC	PI	TC	PI	TC	PI	TC	PI	TC	PI	TC	PI
15,0	2,56	1,16	3,07	1,21	3,59	1,27	4,10	1,33	5,69	1,40	6,19	1,45	
20,0	2,40	1,19	2,92	1,25	3,43	1,31	3,95	1,37	5,50	1,44	6,00	1,48	
22,0	2,34	1,20	2,85	1,26	3,37	1,32	3,88	1,38	5,42	1,45	5,92	1,50	
24,0	2,27	1,21	2,79	1,27	3,30	1,33	3,82	1,39	5,35	1,46	5,84	1,51	
25,0	2,24	1,22	2,76	1,28	3,27	1,34	3,79	1,40	5,31	1,47	5,81	1,52	
27,0	2,18	1,23	2,69	1,29	3,21	1,35	3,73	1,41	5,23	1,48	5,73	1,53	

Symbols

- AFR: Air flow rate [m³/min]
- BF: Bypass factor
- EWB: Entering wet-bulb temperature (°C WB)
- EDB: Entering dry-bulb temperature (°C DB)
- TC: Total capacity [kW]
- SHC: Sensible heat capacity [kW]
- PI: Power input [kW]

Notes

- The ratings shown are net capacities which include a deduction for indoor fan motor heat.
- On the figure the □ mark shows the rated capacity and rated coefficient of the power input.
- The total capacity, power input and sensible heat capacity must be calculated by interpolation, using the figures in the table (figures not in the table may not be used in the calculation).
- In case the sensible heat capacity is not mentioned in the table, please calculate it using an approximation between two values in direct proportion.
- The capacities are based on the following conditions:
Corresponding refrigerant piping length: ·5· m
Level difference: ·0·m
- The air flow rate and bypass factor are mentioned in the table.

3D110073C

FDXM50F9 / RXM50R

Cooling

·50· Hz ·220 - 240· V

AFR	15,8
BF	0,11

Indoor temperature		Outdoor temperature [°C DB]																	
EWB	EDB	20			25			30			32			35			40		
		TC	SHC	PI	TC	SHC	PI	TC	SHC	PI	TC	SHC	PI	TC	SHC	PI	TC	SHC	PI
14,0	20	4,38	3,24	1,15	4,38	3,24	1,30	4,38	3,24	1,46	4,38	3,24	1,53	4,38	3,24	1,61	4,17	3,13	1,75
16,0	22	5,35	3,56	1,27	5,12	3,44	1,40	4,89	3,53	1,52	4,79	3,28	1,57	4,65	3,22	1,62	4,37	3,08	1,75
18,0	25	5,58	3,70	1,28	5,35	3,59	1,40	5,12	3,48	1,52	5,02	3,44	1,57	4,88	3,38	1,63	4,58	3,24	1,75
19,0	27	5,70	3,87	1,28	5,47	3,76	1,41	5,23	3,66	1,53	5,14	3,62	1,58	5,00	3,56	1,63	4,68	3,42	1,75
22,0	30	6,04	3,72	1,30	5,81	3,63	1,42	5,58	3,54	1,54	5,49	3,50	1,59	5,35	3,45	1,65	4,97	3,31	1,75
24,0	32	6,27	3,61	1,30	6,04	3,53	1,42	5,81	3,45	1,55	5,72	3,41	1,60	5,58	3,36	1,66	5,17	3,22	1,75

Heating

·50· Hz ·220 - 240· V

AFR	15,8
-----	------

Indoor temperature		Outdoor temperature [°C WB]											
EDB	°C	-15		-10		-5		0		6		10	
		TC	PI	TC	PI	TC	PI	TC	PI	TC	PI	TC	PI
15,0	2,70	1,51	3,24	1,58	3,78	1,66	4,33	1,74	6,00	1,83	6,52	1,89	
20,0	2,53	1,55	3,07	1,62	3,62	1,70	4,16	1,78	5,80	1,87	6,32	1,93	
22,0	2,46	1,56	3,01	1,64	3,55	1,72	4,10	1,80	5,72	1,89	6,24	1,95	
24,0	2,40	1,58	2,94	1,66	3,49	1,74	4,03	1,81	5,64	1,90	5,96	1,97	
25,0	2,36	1,59	2,91	1,67	3,45	1,74	4,00	1,82	5,60	1,91	5,73	1,97	
27,0	2,30	1,61	2,84	1,68	3,39	1,76	3,93	1,84	5,27	1,93	5,27	1,99	

Symbols

- AFR: Air flow rate [m³/min]
- BF: Bypass factor
- EWB: Entering wet-bulb temperature (°C WB)
- EDB: Entering dry-bulb temperature (°C DB)
- TC: Total capacity [kW]
- SHC: Sensible heat capacity [kW]
- PI: Power input [kW]

Notes

- The ratings shown are net capacities which include a deduction for indoor fan motor heat.
- On the figure the □ mark shows the rated capacity and rated coefficient of the power input.
- The total capacity, power input and sensible heat capacity must be calculated by interpolation, using the figures in the table (figures not in the table may not be used in the calculation).
- In case the sensible heat capacity is not mentioned in the table, please calculate it using an approximation between two values in direct proportion.
- The capacities are based on the following conditions:
Corresponding refrigerant piping length: ·5· m
Level difference: ·0·m
- The air flow rate and bypass factor are mentioned in the table.

3D110080C

4 Capacity tables

4 - 1 Cooling/Heating Capacity Tables

4

FVXM50F / RXM50R

Cooling 50· Hz 220 - 240· V

AFR	10,1
BF	0,13

Indoor temperature		Outdoor temperature [°C DB]																	
EWB	EDB	20			25			30			32			35			40		
		TC	SHC	PI	TC	SHC	PI	TC	SHC	PI	TC	SHC	PI	TC	SHC	PI	TC	SHC	PI
14,0	20	3,82	2,82	0,98	3,82	2,82	1,12	3,82	2,82	1,27	3,82	2,82	1,33	3,82	2,82	1,42	3,82	2,82	1,57
16,0	22	4,86	3,20	1,12	4,86	3,20	1,27	4,86	3,20	1,42	4,79	3,16	1,47	4,65	3,09	1,54	4,42	2,98	1,65
18,0	25	5,58	3,56	1,20	5,35	3,45	1,32	5,12	3,34	1,43	5,02	3,29	1,48	4,88	3,23	1,54	4,65	3,12	1,66
19,0	27	5,70	3,71	1,20	5,47	3,60	1,32	5,23	3,49	1,43	5,14	3,45	1,48	5,00	3,39	1,55	4,77	3,28	1,66
22,0	30	6,04	3,56	1,21	5,81	3,46	1,33	5,58	3,37	1,44	5,49	3,33	1,49	5,35	3,27	1,56	5,11	3,18	1,67
24,0	32	6,27	3,45	1,22	6,04	3,36	1,34	5,81	3,27	1,45	5,72	3,24	1,50	5,58	3,19	1,57	5,34	3,10	1,68

AFR	11,8
-----	------

Heating 50· Hz 220 - 240· V

Indoor temperature		Outdoor temperature [°C WB]											
EDB	°C	-15		-10		-5		0		6		10	
		TC	PI	TC	PI	TC	PI	TC	PI	TC	PI	TC	PI
15,0	2,70	1,29	3,24	1,35	3,78	1,42	4,33	1,48	6,00	1,56	6,52	1,61	
20,0	2,53	1,32	3,07	1,39	3,62	1,45	4,16	1,52	5,80	1,60	6,32	1,65	
22,0	2,46	1,34	3,01	1,40	3,55	1,47	4,10	1,53	5,72	1,61	6,24	1,66	
24,0	2,40	1,35	2,94	1,42	3,49	1,48	4,03	1,55	5,64	1,63	6,16	1,68	
25,0	2,36	1,36	2,91	1,42	3,45	1,49	4,00	1,55	5,57	1,63	6,09	1,69	
27,0	2,30	1,37	2,84	1,44	3,39	1,50	3,93	1,57	5,13	1,65	5,13	1,70	

Symbols

- AFR: Air flow rate [m³/min]
- BF: Bypass factor
- EWB: Entering wet-bulb temperature (°C WB)
- EDB: Entering dry-bulb temperature (°C DB)
- TC: Total capacity [kW]
- SHC: Sensible heat capacity [kW]
- PI: Power input [kW]

Notes

- The ratings shown are net capacities which include a deduction for indoor fan motor heat.
- On the figure the □ mark shows the rated capacity and rated coefficient of the power input.
- The total capacity, power input and sensible heat capacity must be calculated by interpolation, using the figures in the table (figures not in the table may not be used in the calculation).
- In case the sensible heat capacity is not mentioned in the table, please calculate it using an approximation between two values in direct proportion.
- The capacities are based on the following conditions:
Corresponding refrigerant piping length: 5· m
Level difference: 0· m
- The air flow rate and bypass factor are mentioned in the table.

3D110095C

FFA50A9 / RXM50R

Cooling 50· Hz 220 - 240· V

AFR	12,7
BF	0,16

Indoor temperature		Outdoor temperature [°C DB]																	
EWB	EDB	20			25			30			32			35			40		
		TC	SHC	PI	TC	SHC	PI	TC	SHC	PI	TC	SHC	PI	TC	SHC	PI	TC	SHC	PI
14,0	20	4,14	3,06	1,03	4,14	3,06	1,17	4,14	3,06	1,32	4,14	3,06	1,38	4,14	3,06	1,47	4,14	3,06	1,63
16,0	22	5,26	3,46	1,18	5,12	3,39	1,30	4,89	3,27	1,42	4,79	3,23	1,46	4,65	3,16	1,53	4,42	3,05	1,65
18,0	25	5,58	3,64	1,20	5,35	3,53	1,31	5,12	3,42	1,43	5,02	3,37	1,47	4,88	3,31	1,54	4,65	3,21	1,65
19,0	27	5,70	3,80	1,20	5,47	3,69	1,31	5,23	3,59	1,43	5,14	3,54	1,47	5,00	3,48	1,54	4,77	3,38	1,66
22,0	30	6,04	3,65	1,21	5,81	3,55	1,33	5,58	3,46	1,44	5,49	3,42	1,48	5,35	3,37	1,55	5,11	3,28	1,67
24,0	32	6,27	3,54	1,22	6,04	3,45	1,33	5,81	3,37	1,45	5,72	3,34	1,49	5,58	3,29	1,56	5,34	3,20	1,67

AFR	12,7
-----	------

Heating 50· Hz 220 - 240· V

Indoor temperature		Outdoor temperature [°C WB]											
EDB	°C	-15		-10		-5		0		6		10	
		TC	PI	TC	PI	TC	PI	TC	PI	TC	PI	TC	PI
15,0	2,70	1,34	3,24	1,41	3,78	1,47	4,33	1,54	6,00	1,62	6,52	1,68	
20,0	2,53	1,37	3,07	1,44	3,62	1,51	4,16	1,58	5,80	1,66	6,32	1,72	
22,0	2,46	1,39	3,01	1,46	3,55	1,53	4,10	1,59	5,72	1,68	6,21	1,73	
24,0	2,40	1,40	2,94	1,47	3,49	1,54	4,03	1,61	5,64	1,69	6,16	1,75	
25,0	2,36	1,41	2,91	1,48	3,45	1,55	4,00	1,62	5,55	1,70	6,09	1,75	
27,0	2,30	1,43	2,84	1,50	3,39	1,56	3,93	1,63	5,10	1,71	5,10	1,77	

Symbols

- AFR: Air flow rate [m³/min]
- BF: Bypass factor
- EWB: Entering wet-bulb temperature (°C WB)
- EDB: Entering dry-bulb temperature (°C DB)
- TC: Total capacity [kW]
- SHC: Sensible heat capacity [kW]
- PI: Power input [kW]

Notes

- The ratings shown are net capacities which include a deduction for indoor fan motor heat.
- On the figure the □ mark shows the rated capacity and rated coefficient of the power input.
- The total capacity, power input and sensible heat capacity must be calculated by interpolation, using the figures in the table (figures not in the table may not be used in the calculation).
- In case the sensible heat capacity is not mentioned in the table, please calculate it using an approximation between two values in direct proportion.
- The capacities are based on the following conditions:
Corresponding refrigerant piping length: 5· m
Level difference: 0· m
- The air flow rate and bypass factor are mentioned in the table.

3D110085C

4 Capacity tables

4 - 1 Cooling/Heating Capacity Tables

FCAG50B / RXM50R

Cooling

·50· Hz ·220 - 240· V

AFR	12,6
BF	0,22

Indoor temperature		Outdoor temperature [°C DB]																	
		20			25			30			32			35			40		
EWB	EDB	TC	SHC	PI	TC	SHC	PI	TC	SHC	PI	TC	SHC	PI	TC	SHC	PI	TC	SHC	PI
14,0	20	4,03	2,98	0,91	4,03	2,98	1,04	4,03	2,98	1,17	4,03	2,98	1,23	4,03	2,98	1,31	4,03	2,98	1,46
16,0	22	5,13	3,37	1,05	5,12	3,37	1,18	4,89	3,25	1,28	4,79	3,21	1,33	4,65	3,14	1,39	4,42	3,03	1,49
18,0	25	5,58	3,61	1,08	5,35	3,50	1,19	5,12	3,39	1,29	5,02	3,35	1,33	4,88	3,28	1,39	4,65	3,18	1,50
19,0	27	5,70	3,77	1,09	5,47	3,66	1,19	5,23	3,55	1,29	5,14	3,51	1,34	5,00	3,45	1,40	4,77	3,35	1,50
22,0	30	6,04	3,62	1,10	5,81	3,52	1,20	5,58	3,43	1,30	5,49	3,39	1,34	5,35	3,34	1,41	5,11	3,25	1,51
24,0	32	6,27	3,51	1,10	6,04	3,42	1,21	5,81	3,34	1,31	5,72	3,30	1,35	5,58	3,25	1,41	5,34	3,17	1,52

Heating

·50· Hz ·220 - 240· V

AFR	12,6
-----	------

Indoor temperature		Outdoor temperature [°C WB]											
		-15		-10		-5		0		6		10	
EDB	°C	TC	PI	TC	PI	TC	PI	TC	PI	TC	PI	TC	PI
15,0	20	2,79	1,30	3,35	1,37	3,91	1,44	4,48	1,50	6,21	1,59	6,75	1,64
20,0	22	2,62	1,34	3,18	1,41	3,74	1,47	4,31	1,54	6,00	1,62	6,54	1,68
22,0	25	2,55	1,36	3,11	1,42	3,67	1,49	4,24	1,56	5,92	1,64	6,31	1,69
24,0	28	2,48	1,37	3,04	1,44	3,61	1,50	4,17	1,57	5,83	1,65	6,16	1,70
25,0	30	2,45	1,38	3,01	1,44	3,57	1,51	4,13	1,58	5,63	1,66	6,03	1,71
27,0	32	2,38	1,39	2,94	1,46	3,50	1,53	4,06	1,59	5,18	1,67	5,18	1,73

Symbols

- AFR: Air flow rate [m³/min]
- BF: Bypass factor
- EWB: Entering wet-bulb temperature (°C WB)
- EDB: Entering dry-bulb temperature (°C DB)
- TC: Total capacity [kW]
- SHC: Sensible heat capacity [kW]
- PI: Power input [kW]

Notes

- The ratings shown are net capacities which include a deduction for indoor fan motor heat.
- On the figure the □ mark shows the rated capacity and rated coefficient of the power input.
- The total capacity, power input and sensible heat capacity must be calculated by interpolation, using the figures in the table (figures not in the table may not be used in the calculation).
- In case the sensible heat capacity is not mentioned in the table, please calculate it using an approximation between two values in direct proportion.
- The capacities are based on the following conditions:
Corresponding refrigerant piping length: ·5· m
Level difference: ·0· m
- The air flow rate and bypass factor are mentioned in the table.

3D110076D

FNA50A9 / RXM50R

Cooling

·50· Hz ·220 - 240· V

AFR	16,0
BF	0,12

Indoor temperature		Outdoor temperature [°C DB]																	
		20			25			30			32			35			40		
EWB	EDB	TC	SHC	PI	TC	SHC	PI	TC	SHC	PI	TC	SHC	PI	TC	SHC	PI	TC	SHC	PI
14,0	20	5,12	3,94	1,13	4,89	3,83	1,24	4,66	3,71	1,35	4,56	3,67	1,40	4,42	3,60	1,46	4,19	3,49	1,57
16,0	22	5,35	3,87	1,14	5,12	3,77	1,25	4,89	3,66	1,36	4,79	3,62	1,40	4,65	3,56	1,47	4,42	3,45	1,58
18,0	25	5,58	4,08	1,15	5,35	3,98	1,26	5,12	3,88	1,37	5,02	3,84	1,41	4,88	3,78	1,48	4,65	3,69	1,59
19,0	27	5,70	4,32	1,15	5,47	4,22	1,26	5,23	4,13	1,37	5,14	4,09	1,41	5,00	4,04	1,48	4,77	3,94	1,59
22,0	30	6,04	4,17	1,16	5,81	4,09	1,27	5,58	4,00	1,38	5,49	3,97	1,42	5,35	3,92	1,49	5,11	3,84	1,60
24,0	32	6,27	4,07	1,17	6,04	3,99	1,28	5,81	3,92	1,39	5,72	3,89	1,43	5,58	3,84	1,50	5,34	3,77	1,60

Heating

·50· Hz ·220 - 240· V

AFR	16,0
-----	------

Indoor temperature		Outdoor temperature [°C WB]											
		-15		-10		-5		0		6		10	
EDB	°C	TC	PI	TC	PI	TC	PI	TC	PI	TC	PI	TC	PI
15,0	20	2,70	1,40	3,24	1,47	3,78	1,54	4,33	1,61	6,00	1,70	6,52	1,75
20,0	22	2,53	1,44	3,07	1,51	3,62	1,58	4,16	1,65	5,80	1,74	6,32	1,79
22,0	25	2,46	1,45	3,01	1,52	3,55	1,59	4,10	1,67	5,72	1,75	6,24	1,81
24,0	28	2,40	1,47	2,94	1,54	3,49	1,61	4,03	1,68	5,64	1,77	6,16	1,83
25,0	30	2,36	1,48	2,91	1,55	3,45	1,62	4,00	1,69	5,60	1,78	6,12	1,83
27,0	32	2,30	1,49	2,84	1,56	3,39	1,63	3,93	1,71	5,52	1,79	6,04	1,85

Symbols

- AFR: Air flow rate [m³/min]
- BF: Bypass factor
- EWB: Entering wet-bulb temperature (°C WB)
- EDB: Entering dry-bulb temperature (°C DB)
- TC: Total capacity [kW]
- SHC: Sensible heat capacity [kW]
- PI: Power input [kW]

Notes

- The ratings shown are net capacities which include a deduction for indoor fan motor heat.
- On the figure the □ mark shows the rated capacity and rated coefficient of the power input.
- The total capacity, power input and sensible heat capacity must be calculated by interpolation, using the figures in the table (figures not in the table may not be used in the calculation).
- In case the sensible heat capacity is not mentioned in the table, please calculate it using an approximation between two values in direct proportion.
- The capacities are based on the following conditions:
Corresponding refrigerant piping length: ·5· m
Level difference: ·0· m
- The air flow rate and bypass factor are mentioned in the table.

3D110091C

4 Capacity tables

4 - 1 Cooling/Heating Capacity Tables

4

FDXM60F9 / RXM60R

Cooling ·50· Hz ·220-240· V

AFR	16,0
BF	0,12

Indoor temperature		Outdoor temperature [°C DB]																	
EWB	EDB	20			25			30			32			35			40		
		TC	SHC	PI	TC	SHC	PI	TC	SHC	PI	TC	SHC	PI	TC	SHC	PI	TC	SHC	PI
14,0	20	5,78	4,27	1,53	5,78	4,27	1,72	5,59	4,17	1,89	5,48	4,11	1,95	5,31	4,03	2,03	4,37	3,58	2,01
16,0	22	6,42	4,38	1,59	6,14	4,24	1,74	5,86	4,11	1,90	5,75	4,06	1,96	5,59	3,98	2,04	4,59	3,53	2,01
18,0	25	6,70	4,57	1,60	6,42	4,44	1,75	6,14	4,32	1,91	6,03	4,27	1,97	5,86	4,20	2,05	4,81	3,75	2,01
19,0	27	6,84	4,80	1,60	6,56	4,68	1,76	6,28	4,56	1,91	6,17	4,51	1,97	6,00	4,44	2,05	4,92	4,00	2,01
22,0	30	7,25	4,62	1,62	6,97	4,52	1,77	6,69	4,41	1,92	6,58	4,37	1,98	6,41	4,31	2,07	5,24	3,89	2,01
24,0	32	7,53	4,50	1,63	7,25	4,40	1,78	6,97	4,30	1,93	6,86	4,26	1,99	6,69	4,21	2,07	5,46	3,80	2,01

Heating ·50· Hz ·220-240· V

AFR	16,0
-----	------

Indoor temperature		Outdoor temperature [°C WB]											
EDB	°C	-15		-10		-5		0		6		10	
		TC	PI	TC	PI	TC	PI	TC	PI	TC	PI	TC	PI
15,0		3,39	1,75	4,08	1,84	4,76	1,93	5,44	2,02	7,24	2,13	7,87	2,20
20,0		3,18	1,80	3,87	1,89	4,55	1,98	5,23	2,07	7,00	2,18	7,63	2,25
22,0		3,10	1,82	3,78	1,91	4,47	2,00	5,15	2,09	6,90	2,20	7,54	2,27
24,0		3,02	1,84	3,70	1,93	4,38	2,02	5,07	2,11	6,81	2,22	7,44	2,29
25,0		2,97	1,85	3,66	1,94	4,34	2,03	5,03	2,12	6,76	2,23	7,39	2,30
27,0		2,89	1,87	3,57	1,96	4,26	2,05	4,94	2,14	6,66	2,25	7,29	2,32

Symbols

- AFR: Air flow rate [m³/min]
- BF: Bypass factor
- EWB: Entering wet-bulb temperature (°C WB)
- EDB: Entering dry-bulb temperature (°C DB)
- TC: Total capacity [kW]
- SHC: Sensible heat capacity [kW]
- PI: Power input [kW]

Notes

- The ratings shown are net capacities which include a deduction for indoor fan motor heat.
- On the figure the □ mark shows the rated capacity and rated coefficient of the power input.
- The total capacity, power input and sensible heat capacity must be calculated by interpolation, using the figures in the table (figures not in the table may not be used in the calculation).
- In case the sensible heat capacity is not mentioned in the table, please calculate it using an approximation between two values in direct proportion.
- The capacities are based on the following conditions:
Corresponding refrigerant piping length: ·5· m
Level difference: ·0· m
- The air flow rate and bypass factor are mentioned in the table.

3D110081C

FHA50A9 / RXM50R

Cooling ·50· Hz ·220-240· V

AFR	15,0
BF	0,18

Indoor temperature		Outdoor temperature [°C DB]																	
EWB	EDB	20			25			30			32			35			40		
		TC	SHC	PI	TC	SHC	PI	TC	SHC	PI	TC	SHC	PI	TC	SHC	PI	TC	SHC	PI
14,0	20	5,05	3,73	1,18	4,89	3,65	1,31	4,66	3,53	1,43	4,56	3,49	1,47	4,42	3,42	1,54	4,19	3,30	1,66
16,0	22	5,35	3,70	1,20	5,12	3,59	1,32	4,89	3,48	1,43	4,79	3,44	1,48	4,65	3,37	1,55	4,42	3,27	1,66
18,0	25	5,58	3,87	1,21	5,35	3,77	1,32	5,12	3,66	1,44	5,02	3,62	1,49	4,88	3,56	1,55	4,65	3,47	1,67
19,0	27	5,70	4,08	1,21	5,47	3,98	1,33	5,23	3,88	1,44	5,14	3,84	1,49	5,00	3,78	1,56	4,77	3,69	1,67
22,0	30	6,04	3,93	1,22	5,81	3,84	1,34	5,58	3,75	1,45	5,49	3,72	1,50	5,35	3,67	1,57	5,11	3,58	1,68
24,0	32	6,27	3,82	1,23	6,04	3,74	1,34	5,81	3,66	1,46	5,72	3,63	1,51	5,58	3,59	1,58	5,34	3,51	1,69

Heating ·50· Hz ·220-240· V

AFR	15,0
-----	------

Indoor temperature		Outdoor temperature [°C WB]											
EDB	°C	-15		-10		-5		0		6		10	
		TC	PI	TC	PI	TC	PI	TC	PI	TC	PI	TC	PI
15,0		2,79	1,44	3,35	1,51	3,91	1,59	4,48	1,66	6,21	1,75	6,75	1,81
20,0		2,62	1,48	3,18	1,56	3,74	1,63	4,31	1,70	6,00	1,79	6,54	1,85
22,0		2,55	1,50	3,11	1,57	3,67	1,64	4,24	1,72	5,92	1,81	6,46	1,87
24,0		2,48	1,51	3,04	1,59	3,61	1,66	4,17	1,73	5,83	1,82	6,38	1,88
25,0		2,45	1,52	3,01	1,60	3,57	1,67	4,13	1,74	5,79	1,83	6,33	1,89
27,0		2,38	1,54	2,94	1,61	3,50	1,69	4,06	1,76	5,71	1,85	6,25	1,91

Symbols

- AFR: Air flow rate [m³/min]
- BF: Bypass factor
- EWB: Entering wet-bulb temperature (°C WB)
- EDB: Entering dry-bulb temperature (°C DB)
- TC: Total capacity [kW]
- SHC: Sensible heat capacity [kW]
- PI: Power input [kW]

Notes

- The ratings shown are net capacities which include a deduction for indoor fan motor heat.
- On the figure the □ mark shows the rated capacity and rated coefficient of the power input.
- The total capacity, power input and sensible heat capacity must be calculated by interpolation, using the figures in the table (figures not in the table may not be used in the calculation).
- In case the sensible heat capacity is not mentioned in the table, please calculate it using an approximation between two values in direct proportion.
- The capacities are based on the following conditions:
Corresponding refrigerant piping length: ·5· m
Level difference: ·0· m
- The air flow rate and bypass factor are mentioned in the table.

3D110087C

4 Capacity tables

4 - 1 Cooling/Heating Capacity Tables

FTXM60R / RXM60R

Cooling

·50· Hz ·220-240· V

AFR	16,22
BF	0,21

Indoor		Outdoor temperature [°C DB]																	
EWB	EDB	20			25			30			32			35			40		
		TC	SHC	PI	TC	SHC	PI	TC	SHC	PI	TC	SHC	PI	TC	SHC	PI	TC	SHC	PI
14	20	6,15	4,26	1,36	5,87	4,12	1,49	5,59	3,99	1,62	5,48	3,94	1,67	5,31	3,87	1,75	5,03	3,76	1,88
16	22	6,42	4,11	1,37	6,14	3,97	1,50	5,86	3,84	1,63	5,75	3,79	1,68	5,59	3,72	1,76	5,31	3,60	1,89
18	25	6,70	4,23	1,37	6,42	4,10	1,50	6,14	3,99	1,64	6,03	3,95	1,69	5,86	3,89	1,77	5,58	3,79	1,90
19	27	6,84	4,43	1,38	6,56	4,33	1,51	6,28	4,23	1,64	6,17	4,20	1,69	6,00	4,15	1,77	5,72	4,08	1,90
22	30	7,25	4,11	1,39	6,97	4,00	1,52	6,69	3,90	1,65	6,58	3,87	1,70	6,41	3,81	1,78	6,14	3,73	1,91
24	32	7,53	3,91	1,40	7,25	3,80	1,53	6,97	3,70	1,66	6,86	3,66	1,71	6,69	3,60	1,79	6,41	3,52	1,92

Heating

·50· Hz ·220-240· V

AFR	15,88
-----	-------

Indoor	Outdoor temperature [°C WB]											
	-15		-10		-5		0		7		10	
EDB	TC	PI	TC	PI	TC	PI	TC	PI	TC	PI	TC	PI
15	3,33	1,24	4,01	1,31	4,68	1,38	5,04	1,81	7,24	1,90	7,87	1,97
20	3,13	1,29	3,80	1,35	4,48	1,41	4,87	1,85	7,00	1,94	7,63	2,01
22	3,04	1,30	3,72	1,37	4,39	1,43	4,80	1,86	6,90	1,95	7,53	2,02
24	2,97	1,31	3,63	1,38	4,31	1,45	4,73	1,87	6,81	1,98	7,43	2,03
25	2,92	1,33	3,60	1,38	4,27	1,45	4,69	1,89	6,76	1,98	7,39	2,05
27	2,84	1,34	3,51	1,39	4,19	1,46	4,62	1,90	6,66	2,01	7,29	2,06

Symbols

- AFR: Air flow rate [m³/min]
- BF: Bypass factor
- EWB: Entering wet-bulb temperature (°C WB)
- EDB: Entering dry-bulb temperature (°C DB)
- TC: Total capacity [kW]
- SHC: Sensible heat capacity [kW]
- PI: Power input [kW]

Notes

- 1) The ratings shown are net capacities which include a deduction for indoor fan motor heat.
- 2) On the figure the □ mark shows the rated capacity and rated coefficient of the power input.
- 3) The total capacity, power input and sensible heat capacity must be calculated by interpolation, using the figures in the table (figures not in the table may not be used in the calculation).
- 4) In case the sensible heat capacity is not mentioned in the table, please calculate it using an approximation between two values in direct proportion.
- 5) The capacities are based on the following conditions:
Corresponding refrigerant piping length: ·5· m
Level difference: ·0· m
- 6) The air flow rate and bypass factor are mentioned in the table.

3D131702

FBA60A9 / RXM60R

Cooling

·50· Hz ·220 - 240· V

AFR	18,0
BF	0,15

Indoor temperature		Outdoor temperature [°C DB]																	
EWB	EDB	20			25			30			32			35			40		
		TC	SHC	PI	TC	SHC	PI	TC	SHC	PI	TC	SHC	PI	TC	SHC	PI	TC	SHC	PI
14,0	20	5,84	4,42	1,26	5,57	4,28	1,38	5,31	4,16	1,50	5,20	4,10	1,55	5,04	4,03	1,62	4,78	3,90	1,74
16,0	22	6,10	4,34	1,26	5,84	4,22	1,38	5,57	4,09	1,51	5,47	4,05	1,55	5,31	3,97	1,63	5,04	3,86	1,75
18,0	25	6,36	4,56	1,27	6,10	4,44	1,39	5,83	4,33	1,51	5,73	4,29	1,56	5,57	4,22	1,63	5,30	4,11	1,76
19,0	27	6,50	4,82	1,27	6,23	4,71	1,40	5,97	4,60	1,52	5,86	4,56	1,57	5,70	4,49	1,64	5,43	4,39	1,76
22,0	30	6,89	4,65	1,29	6,62	4,55	1,41	6,36	4,46	1,53	6,25	4,42	1,58	6,09	4,36	1,65	5,83	4,27	1,77
24,0	32	7,15	4,53	1,29	6,89	4,44	1,41	6,62	4,36	1,54	6,52	4,32	1,58	6,36	4,27	1,66	6,09	4,18	1,78

Heating

·50· Hz ·220 - 240· V

AFR	18,0
-----	------

Indoor temperature	Outdoor temperature [°C WB]											
	-15		-10		-5		0		6		10	
EDB	TC	PI	TC	PI	TC	PI	TC	PI	TC	PI	TC	PI
15,0	3,39	1,52	4,08	1,60	4,76	1,67	5,44	1,75	7,24	1,84	7,87	1,91
20,0	3,18	1,56	3,87	1,64	4,55	1,72	5,23	1,79	7,00	1,89	7,63	1,95
22,0	3,10	1,58	3,78	1,66	4,47	1,73	5,15	1,81	6,90	1,90	7,54	1,97
24,0	3,02	1,59	3,70	1,67	4,38	1,75	5,07	1,83	6,81	1,92	7,44	1,98
25,0	2,97	1,60	3,66	1,68	4,34	1,76	5,03	1,84	6,76	1,93	7,39	1,99
27,0	2,89	1,62	3,57	1,70	4,26	1,78	4,94	1,85	6,66	1,95	7,29	2,01

Symbols

- AFR: Air flow rate [m³/min]
- BF: Bypass factor
- EWB: Entering wet-bulb temperature (°C WB)
- EDB: Entering dry-bulb temperature (°C DB)
- TC: Total capacity [kW]
- SHC: Sensible heat capacity [kW]
- PI: Power input [kW]

Notes

1. The ratings shown are net capacities which include a deduction for indoor fan motor heat.
2. On the figure the □ mark shows the rated capacity and rated coefficient of the power input.
3. The total capacity, power input and sensible heat capacity must be calculated by interpolation, using the figures in the table (figures not in the table may not be used in the calculation).
4. In case the sensible heat capacity is not mentioned in the table, please calculate it using an approximation between two values in direct proportion.
5. The capacities are based on the following conditions:
Corresponding refrigerant piping length: ·5· m
Level difference: ·0· m
6. The air flow rate and bypass factor are mentioned in the table.

3D110074C

4 Capacity tables

4 - 1 Cooling/Heating Capacity Tables

4

FTXM60N / RXM60R
FTXM60R / RXM60R

Cooling 50· Hz 220 - 240· V

AFR	17,1
BF	0,17

Indoor temperature		Outdoor temperature [°C DB]																	
EWB	EDB	20			25			30			32			35			40		
		TC	SHC	PI	TC	SHC	PI	TC	SHC	PI	TC	SHC	PI	TC	SHC	PI	TC	SHC	PI
14,0	20	5,10	3,76	0,19	4,82	3,63	0,31	4,55	3,51	0,80	4,38	3,45	1,66	4,26	3,38	1,75	4,09	3,26	1,88
16,0	22	6,31	4,18	0,20	6,04	4,05	0,33	5,76	3,93	0,81	5,64	3,87	1,67	5,47	3,80	1,76	5,30	3,68	1,88
18,0	25	6,70	4,39	0,20	6,42	4,26	0,34	6,14	4,14	0,82	6,02	4,08	1,67	5,86	4,00	1,77	5,58	3,88	1,89
19,0	27	6,84	4,59	0,22	6,56	4,46	0,34	6,28	4,34	0,82	6,17	4,29	1,69	6,00	4,22	1,77	5,72	4,10	1,89
22,0	30	7,25	4,41	0,22	6,97	4,30	0,34	6,70	4,20	0,83	6,59	4,15	1,70	6,42	4,08	1,78	6,13	3,98	1,90
24,0	32	7,52	4,28	0,22	7,25	4,18	0,34	6,97	4,08	0,83	6,86	4,04	1,70	6,70	3,98	1,79	6,41	3,88	1,92

AFR	17,7
-----	------

Heating 50· Hz 220 - 240· V

Indoor temperature		Outdoor temperature [°C WB]											
EDB	°C	-15		-10		-5		0		6		10	
		TC	PI	TC	PI	TC	PI	TC	PI	TC	PI	TC	PI
15,0	3,33	1,24	4,01	1,31	4,68	1,38	6,29	1,81	7,24	1,90	7,87	1,97	
20,0	3,13	1,29	3,80	1,35	4,48	1,41	6,05	1,85	7,00	1,94	7,63	2,01	
22,0	3,04	1,30	3,72	1,37	4,39	1,43	5,95	1,86	6,90	1,95	7,53	2,02	
24,0	2,97	1,31	3,63	1,38	4,31	1,45	5,85	1,87	6,81	1,98	7,43	2,03	
25,0	2,92	1,33	3,60	1,38	4,27	1,45	5,80	1,89	6,76	1,98	7,39	2,05	
27,0	2,84	1,34	3,51	1,39	4,19	1,46	5,71	1,90	6,66	2,01	7,29	2,06	

Symbols

- AFR: Air flow rate [m³/min]
- BF: Bypass factor
- EWB: Entering wet-bulb temperature (°C WB)
- EDB: Entering dry-bulb temperature (°C DB)
- TC: Total capacity [kW]
- SHC: Sensible heat capacity [kW]
- PI: Power input [kW]

Notes

1. The ratings shown are net capacities which include a deduction for indoor fan motor heat.
2. On the figure the □ mark shows the rated capacity and rated coefficient of the power input.
3. The total capacity, power input and sensible heat capacity must be calculated by interpolation, using the figures in the table (figures not in the table may not be used in the calculation).
4. In case the sensible heat capacity is not mentioned in the table, please calculate it using an approximation between two values in direct proportion.
5. The capacities are based on the following conditions:
Corresponding refrigerant piping length: 5· m
Level difference: 0· m
6. The air flow rate and bypass factor are mentioned in the table.

3D117546B

FFA60A9 / RXM60R

Cooling 50· Hz 220 - 240· V

AFR	14,5
BF	0,11

Indoor temperature		Outdoor temperature [°C DB]																	
EWB	EDB	20			25			30			32			35			40		
		TC	SHC	PI	TC	SHC	PI	TC	SHC	PI	TC	SHC	PI	TC	SHC	PI	TC	SHC	PI
14,0	20	5,30	3,91	1,36	5,30	3,91	1,53	5,30	3,91	1,71	5,20	3,86	1,77	5,04	3,78	1,85	4,78	3,65	1,99
16,0	22	6,10	4,12	1,44	5,84	3,99	1,58	5,57	3,86	1,72	5,47	3,81	1,77	5,31	3,73	1,86	5,04	3,61	1,99
18,0	25	6,36	4,29	1,45	6,10	4,17	1,59	5,83	4,05	1,73	5,73	4,00	1,78	5,57	3,93	1,86	5,30	3,82	2,00
19,0	27	6,50	4,50	1,45	6,23	4,38	1,59	5,97	4,27	1,73	5,86	4,22	1,79	5,70	4,16	1,87	5,43	4,05	2,01
22,0	30	6,89	4,33	1,47	6,62	4,23	1,61	6,36	4,13	1,74	6,25	4,09	1,80	6,09	4,03	1,88	5,78	3,91	2,01
24,0	32	7,15	4,21	1,48	6,89	4,12	1,61	6,62	4,02	1,75	6,52	3,99	1,81	6,36	3,93	1,89	6,01	3,82	2,01

AFR	14,5
-----	------

Heating 50· Hz 220 - 240· V

Indoor temperature		Outdoor temperature [°C WB]											
EDB	°C	-15		-10		-5		0		6		10	
		TC	PI	TC	PI	TC	PI	TC	PI	TC	PI	TC	PI
15,0	3,39	1,65	4,08	1,74	4,76	1,82	5,44	1,91	7,24	2,01	7,87	2,07	
20,0	3,18	1,70	3,87	1,78	4,55	1,87	5,23	1,95	7,00	2,05	7,63	2,12	
22,0	3,10	1,72	3,78	1,80	4,47	1,89	5,15	1,97	6,90	2,07	7,54	2,14	
24,0	3,02	1,73	3,70	1,82	4,38	1,90	5,07	1,99	6,81	2,09	7,44	2,16	
25,0	2,97	1,74	3,66	1,83	4,34	1,91	5,03	2,00	6,76	2,10	7,39	2,17	
27,0	2,89	1,76	3,57	1,85	4,26	1,93	4,94	2,02	6,66	2,12	7,29	2,19	

Symbols

- AFR: Air flow rate [m³/min]
- BF: Bypass factor
- EWB: Entering wet-bulb temperature (°C WB)
- EDB: Entering dry-bulb temperature (°C DB)
- TC: Total capacity [kW]
- SHC: Sensible heat capacity [kW]
- PI: Power input [kW]

Notes

1. The ratings shown are net capacities which include a deduction for indoor fan motor heat.
2. On the figure the □ mark shows the rated capacity and rated coefficient of the power input.
3. The total capacity, power input and sensible heat capacity must be calculated by interpolation, using the figures in the table (figures not in the table may not be used in the calculation).
4. In case the sensible heat capacity is not mentioned in the table, please calculate it using an approximation between two values in direct proportion.
5. The capacities are based on the following conditions:
Corresponding refrigerant piping length: 5· m
Level difference: 0· m
6. The air flow rate and bypass factor are mentioned in the table.

3D110084C

4 Capacity tables

4 - 1 Cooling/Heating Capacity Tables

FNA60A9 / RXM60R

Cooling ·50· Hz ·220 - 240· V

AFR	16,0
BF	0,12

Indoor temperature		Outdoor temperature [°C DB]																	
EWB	EDB	20			25			30			32			35			40		
		TC	SHC	PI	TC	SHC	PI	TC	SHC	PI	TC	SHC	PI	TC	SHC	PI	TC	SHC	PI
14,0	20	5,78	4,27	1,66	5,78	4,27	1,86	5,59	4,17	2,03	5,48	4,11	2,10	5,31	4,03	2,20	3,82	3,32	2,01
16,0	22	6,42	4,38	1,71	6,14	4,24	1,88	5,86	4,11	2,04	5,75	4,06	2,11	5,59	3,98	2,21	4,02	3,28	2,01
18,0	25	6,70	4,57	1,72	6,42	4,44	1,89	6,14	4,32	2,05	6,03	4,27	2,12	5,86	4,20	2,22	4,22	3,51	2,01
19,0	27	6,84	4,80	1,73	6,56	4,68	1,89	6,28	4,56	2,06	6,17	4,51	2,12	6,00	4,44	2,22	4,32	3,77	2,01
22,0	30	7,25	4,62	1,74	6,97	4,52	1,91	6,69	4,41	2,07	6,58	4,37	2,14	6,41	4,31	2,24	4,62	3,67	2,01
24,0	32	7,53	4,50	1,75	7,25	4,40	1,92	6,97	4,30	2,08	6,86	4,26	2,15	6,69	4,21	2,25	4,82	3,60	2,01

AFR	16,0
-----	------

Heating ·50· Hz ·220 - 240· V

Indoor temperature		Outdoor temperature [°C WB]											
EDB	°C	-15		-10		-5		0		6		10	
		TC	PI	TC	PI	TC	PI	TC	PI	TC	PI	TC	PI
15,0	3,39	1,81	4,08	1,90	4,76	2,00	5,44	2,09	7,24	2,20	7,87	2,27	
20,0	3,18	1,86	3,87	1,95	4,55	2,05	5,23	2,14	7,00	2,25	7,63	2,32	
22,0	3,10	1,88	3,78	1,97	4,47	2,07	5,15	2,16	6,90	2,27	7,54	2,35	
24,0	3,02	1,90	3,70	1,99	4,38	2,09	5,07	2,18	6,81	2,29	7,44	2,37	
25,0	2,97	1,91	3,66	2,00	4,34	2,10	5,03	2,19	6,76	2,30	7,39	2,38	
27,0	2,89	1,93	3,57	2,03	4,26	2,12	4,94	2,21	6,66	2,32	7,29	2,40	

Symbols

- AFR: Air flow rate [m³/min]
- BF: Bypass factor
- EWB: Entering wet-bulb temperature (°C WB)
- EDB: Entering dry-bulb temperature (°C DB)
- TC: Total capacity [kW]
- SHC: Sensible heat capacity [kW]
- PI: Power input [kW]

Notes

- The ratings shown are net capacities which include a deduction for indoor fan motor heat.
- On the figure the □ mark shows the rated capacity and rated coefficient of the power input.
- The total capacity, power input and sensible heat capacity must be calculated by interpolation, using the figures in the table (figures not in the table may not be used in the calculation).
- In case the sensible heat capacity is not mentioned in the table, please calculate it using an approximation between two values in direct proportion.
- The capacities are based on the following conditions:
Corresponding refrigerant piping length: ·5· m
Level difference: ·0· m
- The air flow rate and bypass factor are mentioned in the table.

3D110092C

FHA60A9 / RXM60R

Cooling ·50· Hz ·220 - 240· V

AFR	19,5
BF	0,2

Indoor temperature		Outdoor temperature [°C DB]																	
EWB	EDB	20			25			30			32			35			40		
		TC	SHC	PI	TC	SHC	PI	TC	SHC	PI	TC	SHC	PI	TC	SHC	PI	TC	SHC	PI
14,0	20	5,84	4,45	1,33	5,57	4,32	1,46	5,31	4,19	1,59	5,20	4,13	1,64	5,04	4,06	1,71	4,78	3,93	1,84
16,0	22	6,10	4,37	1,34	5,84	4,25	1,47	5,57	4,13	1,59	5,47	4,08	1,64	5,31	4,01	1,72	5,04	3,89	1,85
18,0	25	6,36	4,59	1,34	6,10	4,48	1,47	5,83	4,37	1,60	5,73	4,32	1,65	5,57	4,26	1,73	5,30	4,15	1,86
19,0	27	6,50	4,86	1,35	6,23	4,75	1,48	5,97	4,64	1,60	5,86	4,60	1,66	5,70	4,54	1,73	5,43	4,43	1,86
22,0	30	6,89	4,69	1,36	6,62	4,60	1,49	6,36	4,50	1,62	6,25	4,46	1,67	6,09	4,41	1,74	5,83	4,31	1,87
24,0	32	7,15	4,57	1,37	6,89	4,49	1,50	6,62	4,40	1,62	6,52	4,36	1,68	6,36	4,31	1,75	6,09	4,23	1,88

AFR	19,5
-----	------

Heating ·50· Hz ·220 - 240· V

Indoor temperature		Outdoor temperature [°C WB]											
EDB	°C	-15		-10		-5		0		6		10	
		TC	PI	TC	PI	TC	PI	TC	PI	TC	PI	TC	PI
15,0	3,49	1,74	4,19	1,83	4,90	1,92	5,60	2,01	7,45	2,12	8,10	2,19	
20,0	3,27	1,79	3,98	1,88	4,68	1,97	5,38	2,06	7,20	2,17	7,85	2,24	
22,0	3,19	1,81	3,89	1,90	4,59	1,99	5,30	2,08	7,10	2,19	7,75	2,26	
24,0	3,10	1,83	3,81	1,92	4,51	2,01	5,21	2,10	7,00	2,21	7,65	2,28	
25,0	3,06	1,84	3,76	1,93	4,47	2,02	5,17	2,11	6,95	2,22	7,60	2,29	
27,0	2,97	1,86	3,68	1,95	4,38	2,04	5,08	2,13	6,85	2,24	7,50	2,31	

Symbols

- AFR: Air flow rate [m³/min]
- BF: Bypass factor
- EWB: Entering wet-bulb temperature (°C WB)
- EDB: Entering dry-bulb temperature (°C DB)
- TC: Total capacity [kW]
- SHC: Sensible heat capacity [kW]
- PI: Power input [kW]

Notes

- The ratings shown are net capacities which include a deduction for indoor fan motor heat.
- On the figure the □ mark shows the rated capacity and rated coefficient of the power input.
- The total capacity, power input and sensible heat capacity must be calculated by interpolation, using the figures in the table (figures not in the table may not be used in the calculation).
- In case the sensible heat capacity is not mentioned in the table, please calculate it using an approximation between two values in direct proportion.
- The capacities are based on the following conditions:
Corresponding refrigerant piping length: ·5· m
Level difference: ·0· m
- The air flow rate and bypass factor are mentioned in the table.

3D110088C

4 Capacity tables

4 - 1 Cooling/Heating Capacity Tables

4

FCAG60B / RXM60R

Cooling 50-Hz 220-240-V

AFR	13,6
BF	0,2

Indoor temperature		Outdoor temperature [°C DB]																	
EWB	EDB	20			25			30			32			35			40		
		TC	SHC	PI	TC	SHC	PI	TC	SHC	PI	TC	SHC	PI	TC	SHC	PI	TC	SHC	PI
14,0	20	4,47	3,30	1,12	4,47	3,30	1,28	4,47	3,30	1,44	4,47	3,30	1,51	4,47	3,30	1,61	4,47	3,30	1,78
16,0	22	5,68	3,73	1,27	5,68	3,73	1,43	5,57	3,68	1,58	5,47	3,63	1,63	5,31	3,55	1,71	5,04	3,42	1,84
18,0	25	6,36	4,09	1,34	6,10	3,96	1,16	5,83	3,83	1,59	5,73	3,78	1,64	5,57	3,71	1,72	5,30	3,59	1,85
19,0	27	6,50	4,26	1,34	6,23	4,14	1,47	5,97	4,01	1,59	5,86	3,97	1,65	5,70	3,89	1,72	5,43	3,78	1,85
22,0	30	6,89	4,09	1,35	6,62	3,98	1,48	6,36	3,87	1,61	6,25	3,83	1,66	6,09	3,76	1,73	5,83	3,66	1,86
24,0	32	7,15	3,96	1,36	6,89	3,86	1,49	6,62	3,76	1,61	6,52	3,73	1,66	6,36	3,67	1,74	6,09	3,57	1,87

Heating 50-Hz 220-240-V

AFR	13,6
-----	------

Indoor temperature		Outdoor temperature [°C WB]											
EDB	°C	-15		-10		-5		0		6		10	
		TC	PI	TC	PI	TC	PI	TC	PI	TC	PI	TC	PI
15,0	3,39	1,67	4,08	1,75	4,76	1,84	5,44	1,92	7,24	2,02	7,87	2,09	
20,0	3,18	1,71	3,87	1,80	4,55	1,88	5,23	1,97	7,00	2,07	7,63	2,14	
22,0	3,10	1,73	3,78	1,82	4,47	1,90	5,15	1,99	6,90	2,09	7,54	2,16	
24,0	3,02	1,75	3,70	1,84	4,38	1,92	5,07	2,01	6,81	2,11	7,38	2,18	
25,0	2,97	1,76	3,66	1,84	4,34	1,93	5,03	2,02	6,76	2,12	7,13	2,19	
27,0	2,89	1,78	3,57	1,86	4,26	1,95	4,94	2,03	6,64	2,14	6,64	2,20	

Symbols

- AFR: Air flow rate [m³/min]
- BF: Bypass factor
- EWB: Entering wet-bulb temperature (°C WB)
- EDB: Entering dry-bulb temperature (°C DB)
- TC: Total capacity [kW]
- SHC: Sensible heat capacity [kW]
- PI: Power input [kW]

Notes

- The ratings shown are net capacities which include a deduction for indoor fan motor heat.
- On the figure the □ mark shows the rated capacity and rated coefficient of the power input.
- The total capacity, power input and sensible heat capacity must be calculated by interpolation, using the figures in the table (figures not in the table may not be used in the calculation).
- In case the sensible heat capacity is not mentioned in the table, please calculate it using an approximation between two values in direct proportion.
- The capacities are based on the following conditions:
Corresponding refrigerant piping length: 5·m
Level difference: 0·m
- The air flow rate and bypass factor are mentioned in the table.

3D110077D

FTXM71R / RXM71R

Cooling 50-Hz 220-240-V

AFR	15,95
BF	0,06

Indoor		Outdoor temperature [°C DB]																	
EWB	EDB	20			25			30			32			35			40		
		TC	SHC	PI	TC	SHC	PI	TC	SHC	PI	TC	SHC	PI	TC	SHC	PI	TC	SHC	PI
14	20	7,27	5,06	1,80	6,94	4,90	1,97	6,61	4,74	2,14	6,48	4,69	2,21	6,28	4,61	2,32	5,95	4,48	2,49
16	22	7,60	4,88	1,81	7,27	4,72	1,98	6,94	4,57	2,15	6,81	4,51	2,22	6,61	4,42	2,33	6,28	4,29	2,50
18	25	7,93	5,02	1,82	7,60	4,88	1,99	7,27	4,75	2,16	7,13	4,70	2,23	6,94	4,63	2,34	6,61	4,52	2,51
19	27	8,09	5,28	1,82	7,76	5,16	2,00	7,43	5,05	2,17	7,30	5,01	2,24	7,10	4,95	2,34	6,77	4,88	2,52
22	30	8,58	4,89	1,84	8,25	4,76	2,01	7,92	4,65	2,19	7,79	4,60	2,25	7,59	4,54	2,36	7,26	4,45	2,53
24	32	8,91	4,64	1,85	8,58	4,52	2,02	8,25	4,40	2,20	8,12	4,35	2,27	7,92	4,29	2,37	7,59	4,19	2,54

Heating 50-Hz 220-240-V

AFR	17,35
-----	-------

Indoor		Outdoor temperature [°C WB]											
EDB	°C	-15		-10		-5		0		7		10	
		TC	PI	TC	PI	TC	PI	TC	PI	TC	PI	TC	PI
15	4,59	1,77	5,52	1,85	6,45	1,92	6,63	2,00	8,50	2,53	9,22	2,60	
20	4,31	1,81	5,24	1,88	6,16	1,95	6,38	2,07	8,20	2,57	8,94	2,64	
22	4,20	1,83	5,12	1,90	6,05	1,98	6,28	2,08	8,09	2,60	8,83	2,67	
24	4,08	1,84	5,01	1,92	5,94	1,99	6,17	2,11	7,97	2,61	8,71	2,68	
25	4,03	1,85	4,95	1,93	5,88	2,01	6,13	2,12	7,92	2,63	8,66	2,70	
27	3,91	1,86	4,84	1,94	5,77	2,01	6,02	2,14	7,80	2,64	8,54	2,71	

Symbols

- AFR: Air flow rate [m³/min]
- BF: Bypass factor
- EWB: Entering wet-bulb temperature (°C WB)
- EDB: Entering dry-bulb temperature (°C DB)
- TC: Total capacity [kW]
- SHC: Sensible heat capacity [kW]
- PI: Power input [kW]

Notes

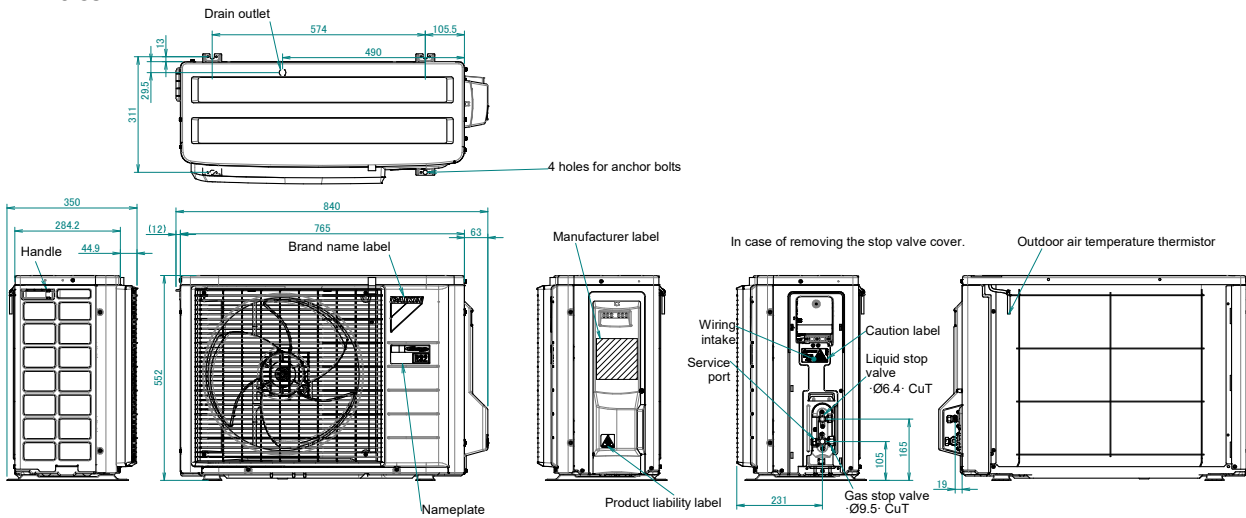
- The ratings shown are net capacities which include a deduction for indoor fan motor heat.
- On the figure the □ mark shows the rated capacity and rated coefficient of the power input.
- The total capacity, power input and sensible heat capacity must be calculated by interpolation, using the figures in the table (figures not in the table may not be used in the calculation).
- In case the sensible heat capacity is not mentioned in the table, please calculate it using an approximation between two values in direct proportion.
- The capacities are based on the following conditions:
Corresponding refrigerant piping length: 5·m
Level difference: 0·m
- The air flow rate and bypass factor are mentioned in the table.

3D131703

5 Dimensional drawings

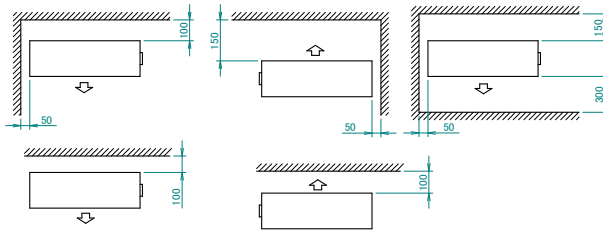
5 - 1 Dimensional Drawings

RXM20-35R



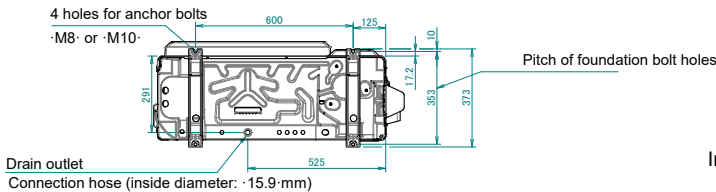
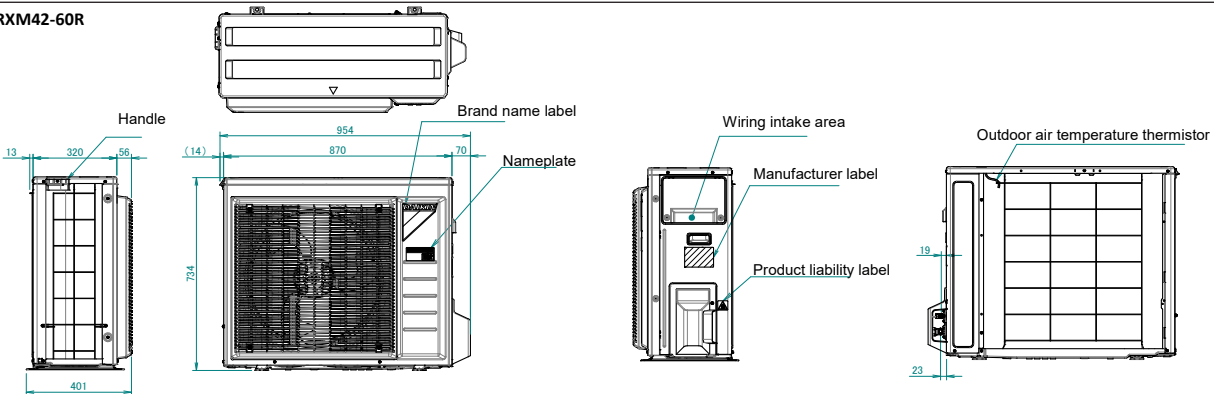
Minimum space for air passage

Wall height on air outlet side < 1200 mm



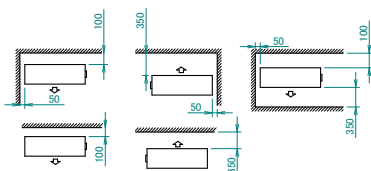
3D119881A

RXM42-60R

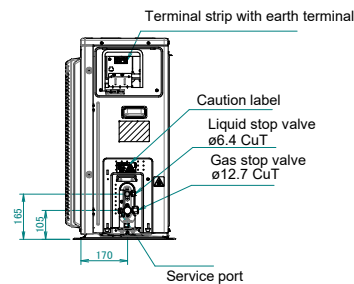


Minimum space for air passage

Wall height on air outlet side < 1200 mm



In case of removing the stop valve cover.

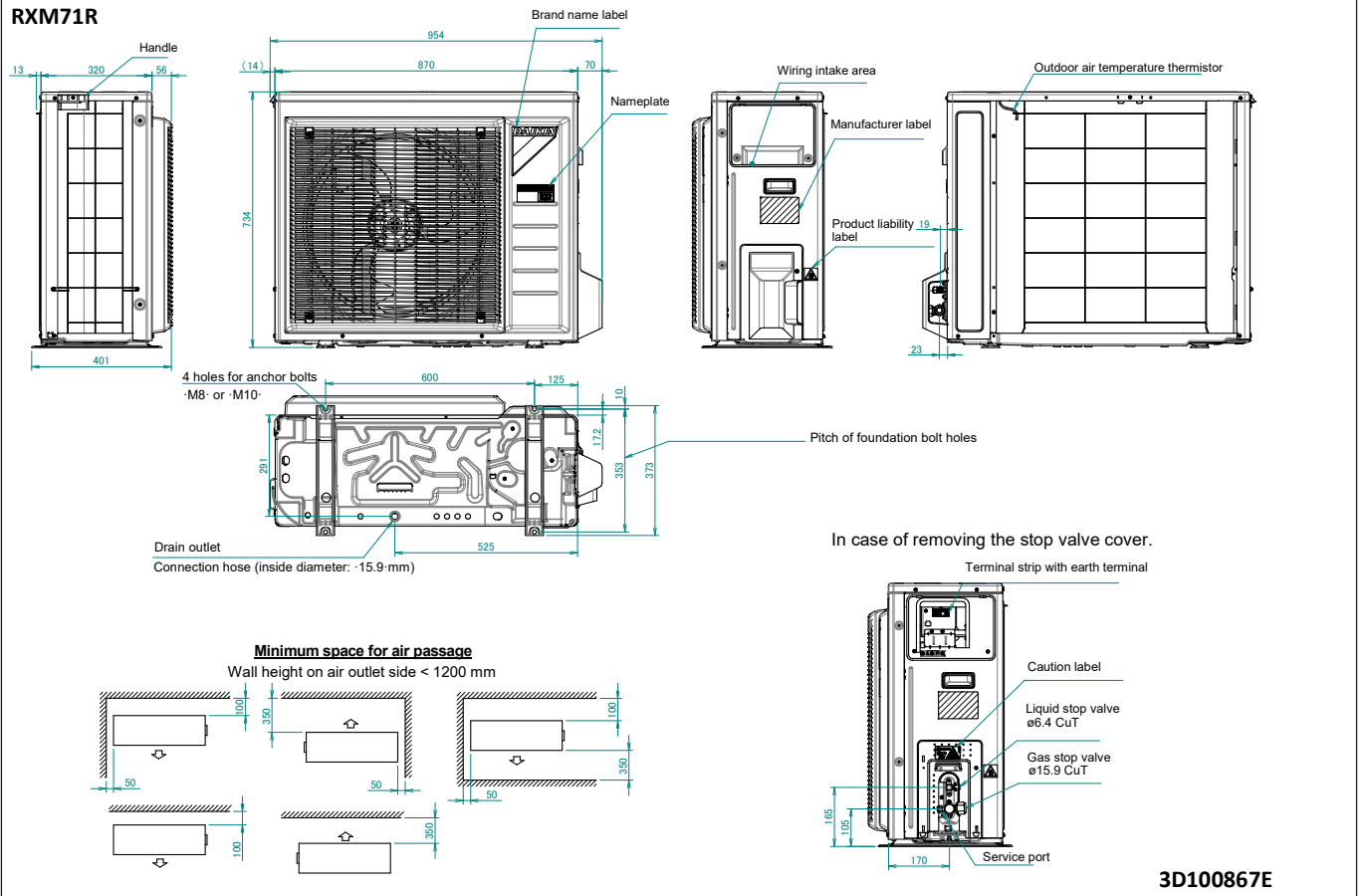


3D114108B

5 Dimensional drawings

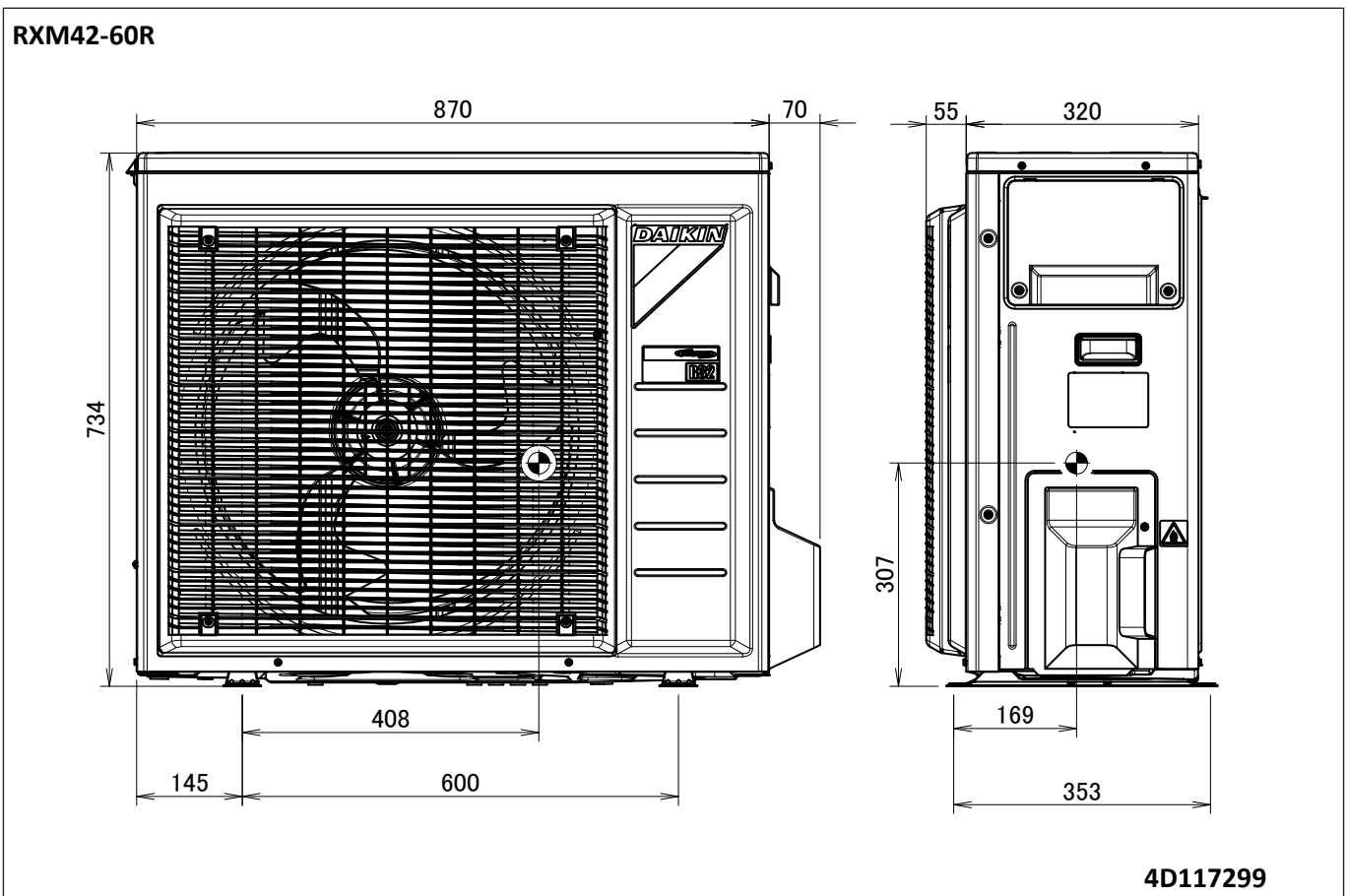
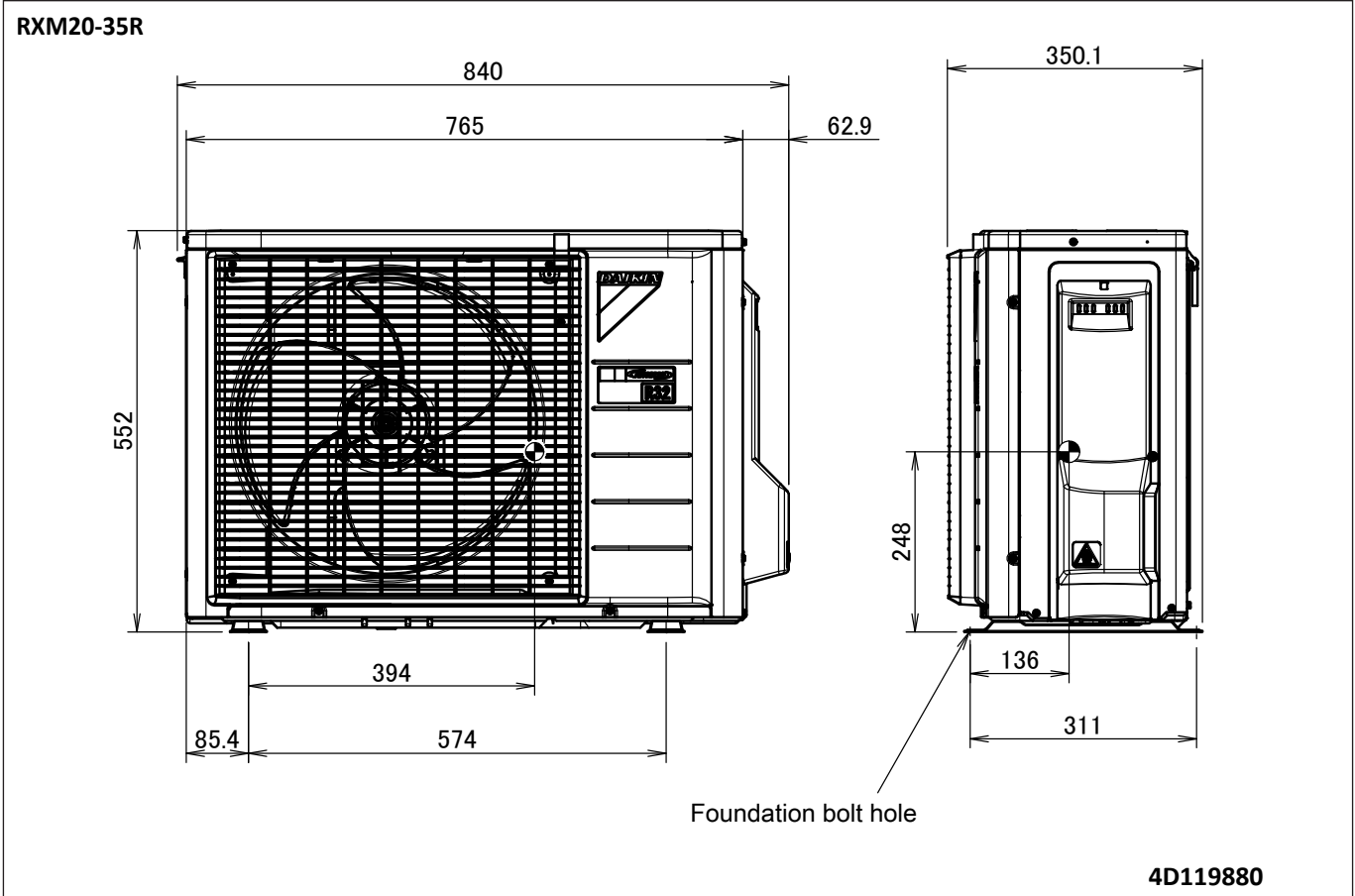
5 - 1 Dimensional Drawings

5



6 Centre of gravity

6 - 1 Centre of Gravity

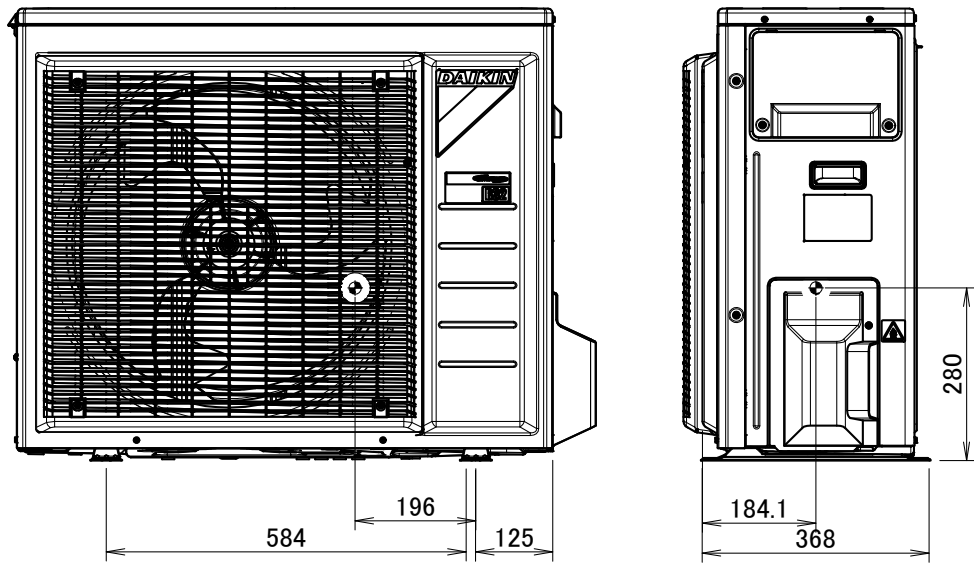


6 Centre of gravity

6 - 1 Centre of Gravity

RXM71R

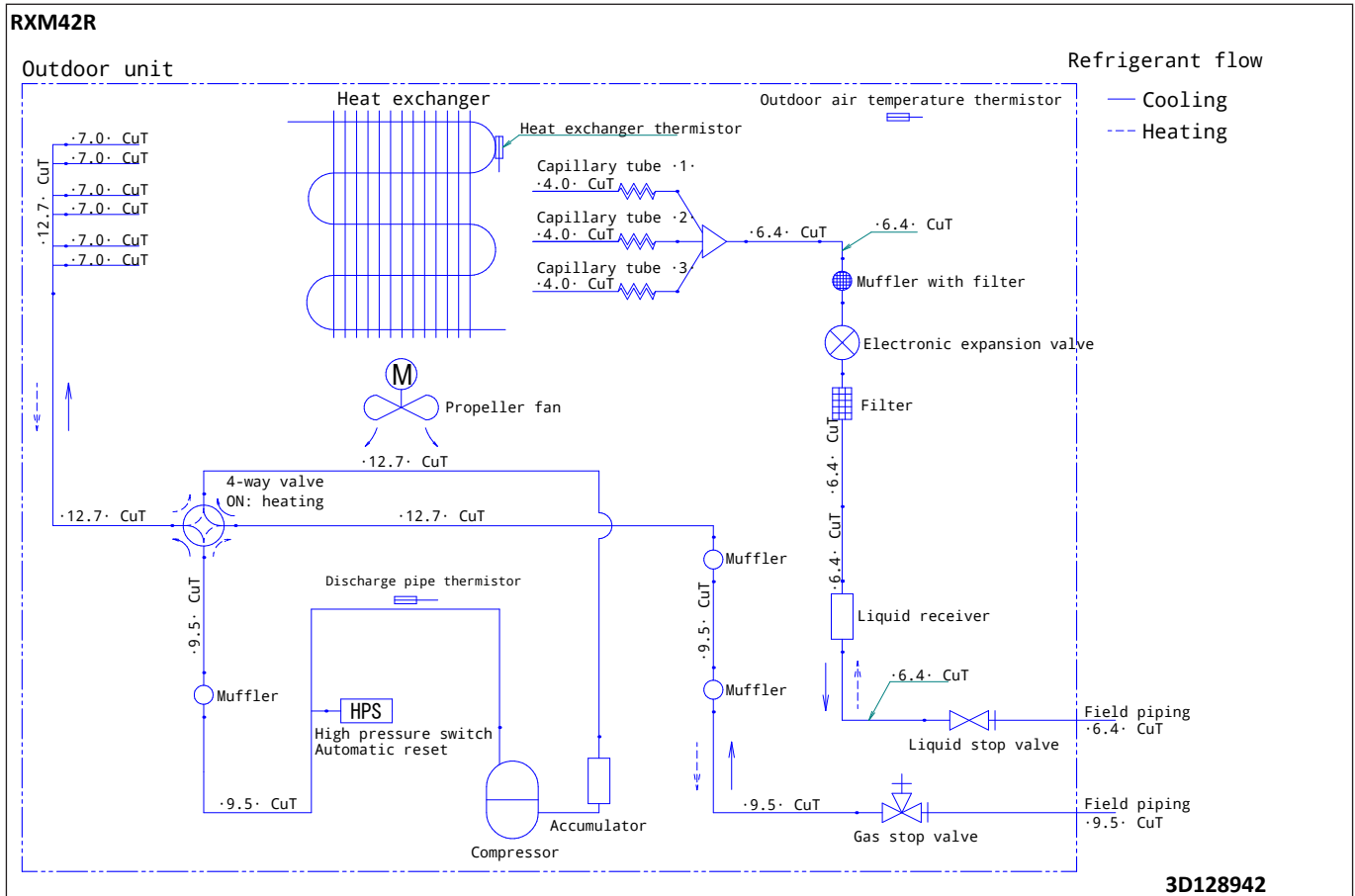
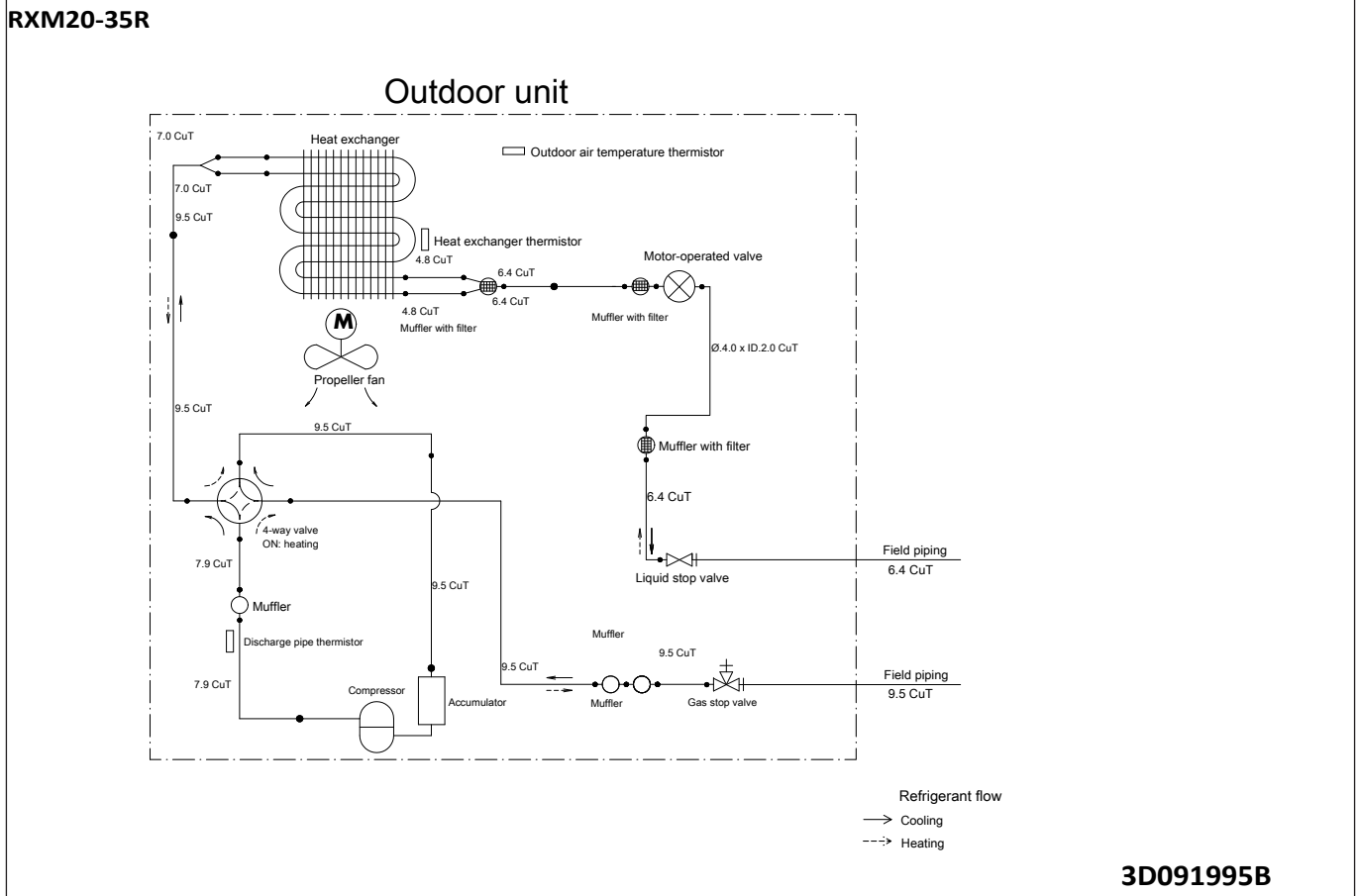
6



4D100855B

7 Piping diagrams

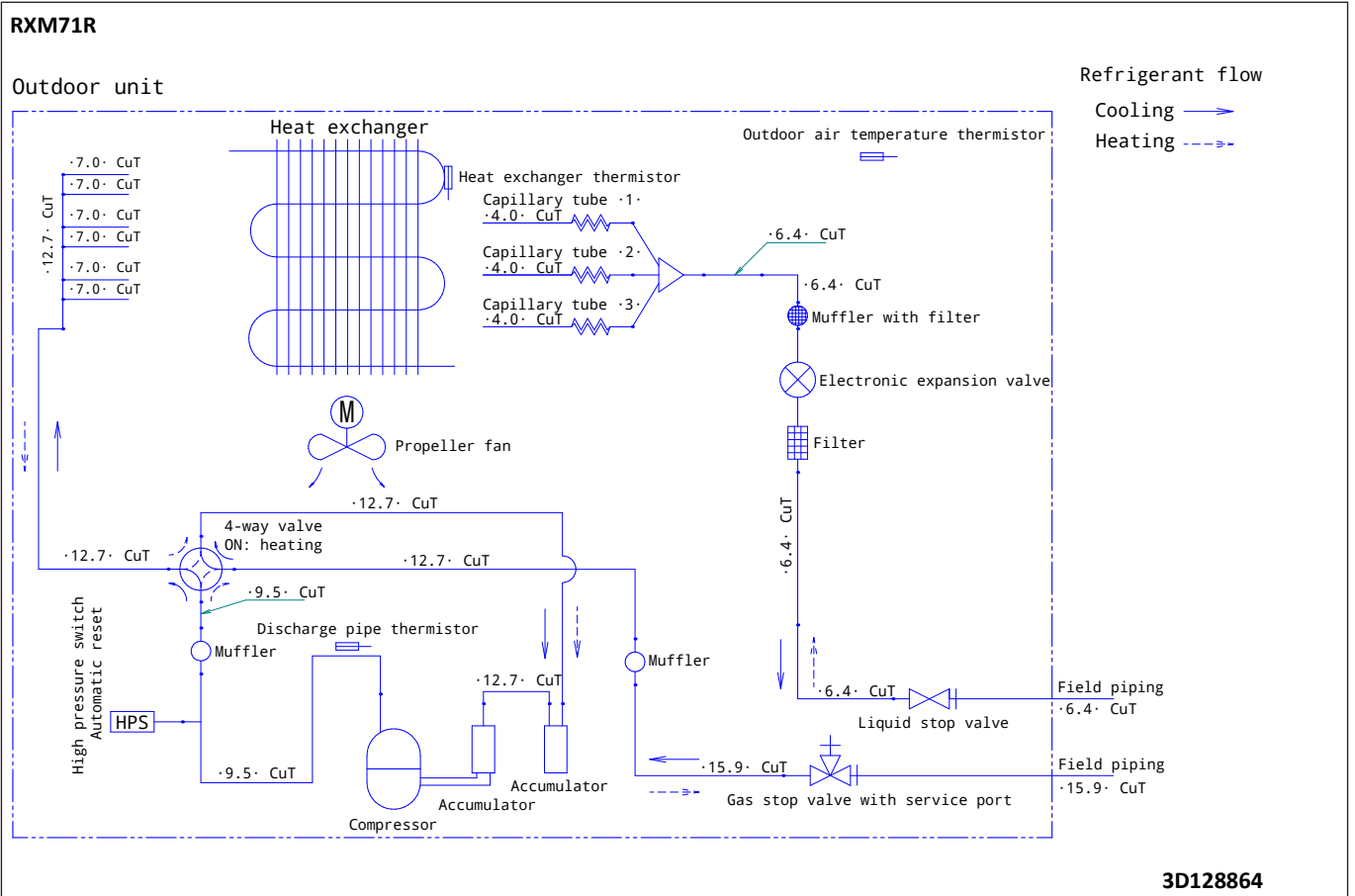
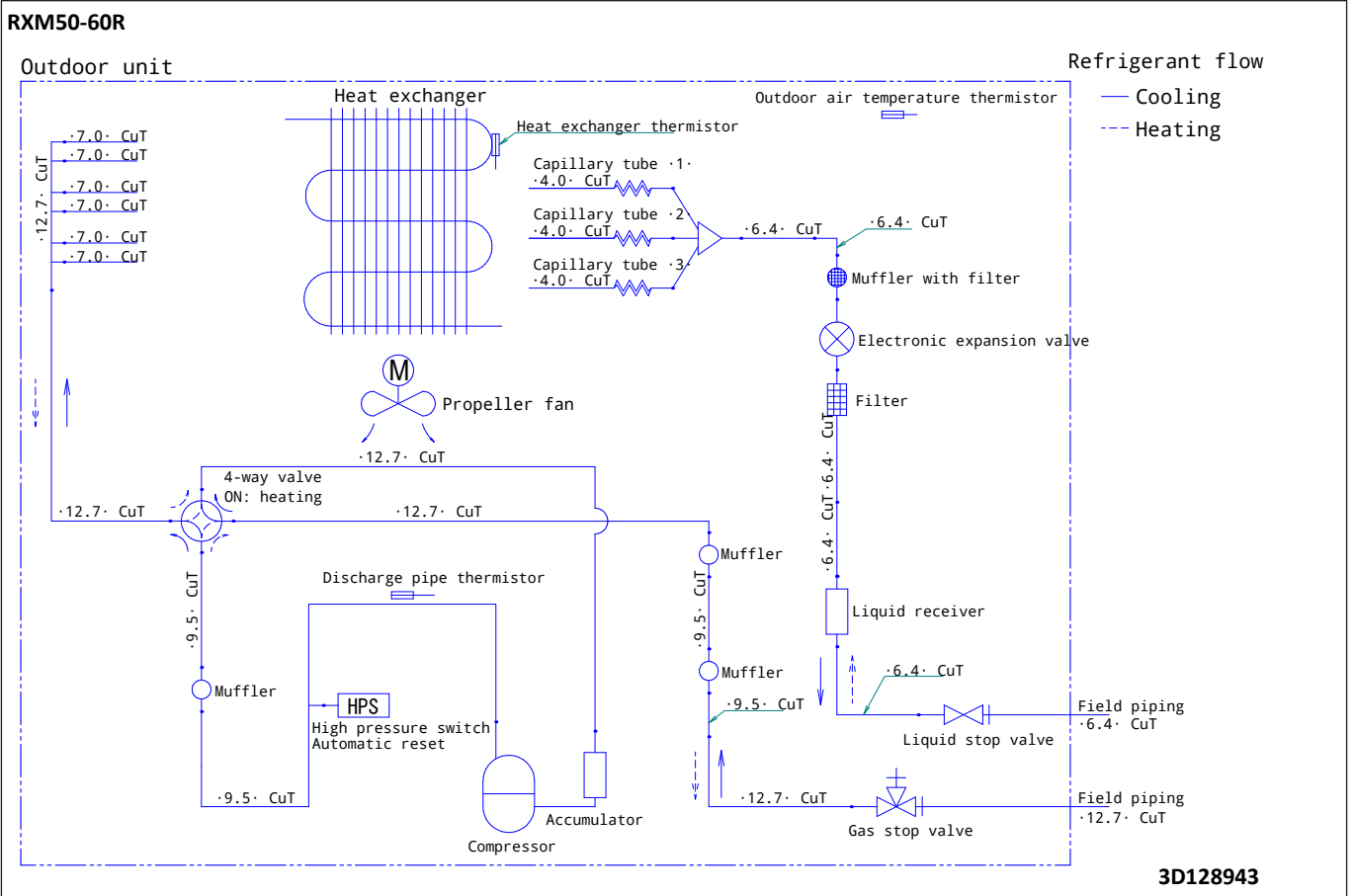
7 - 1 Piping Diagrams



7 Piping diagrams

7-1 Piping Diagrams

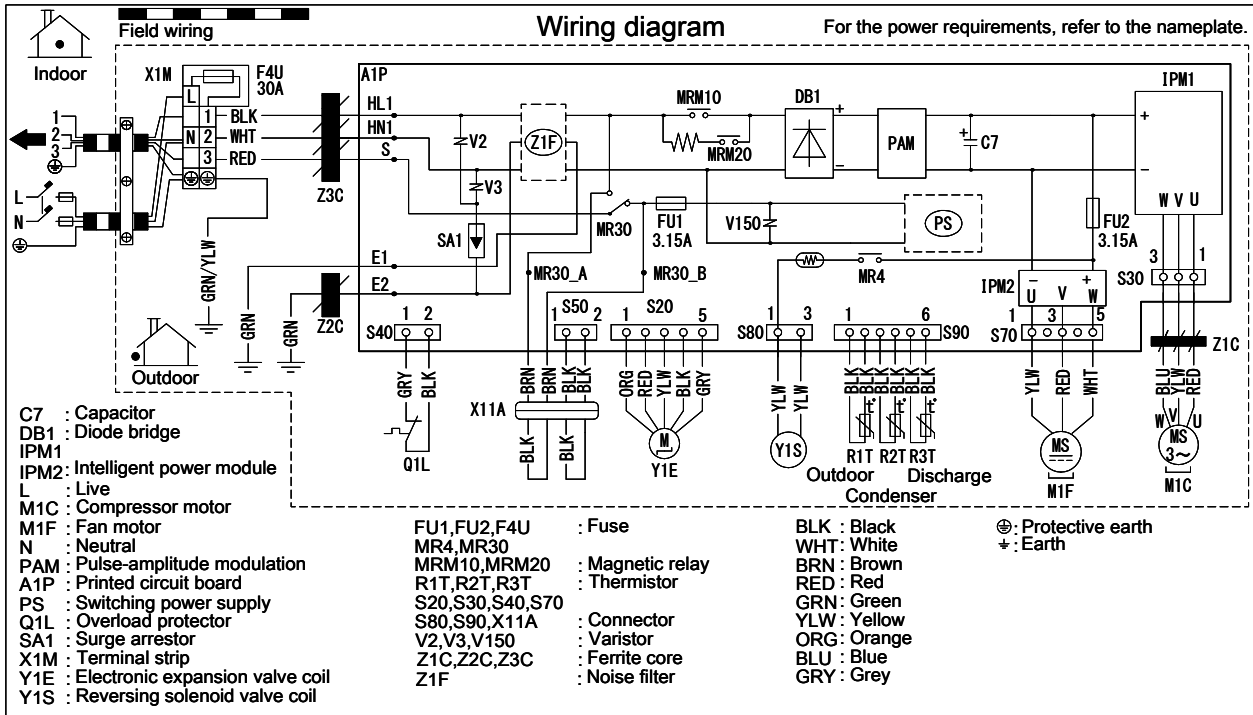
7



8 Wiring diagrams

8 - 1 Wiring Diagrams - Single Phase

RXM20-35R



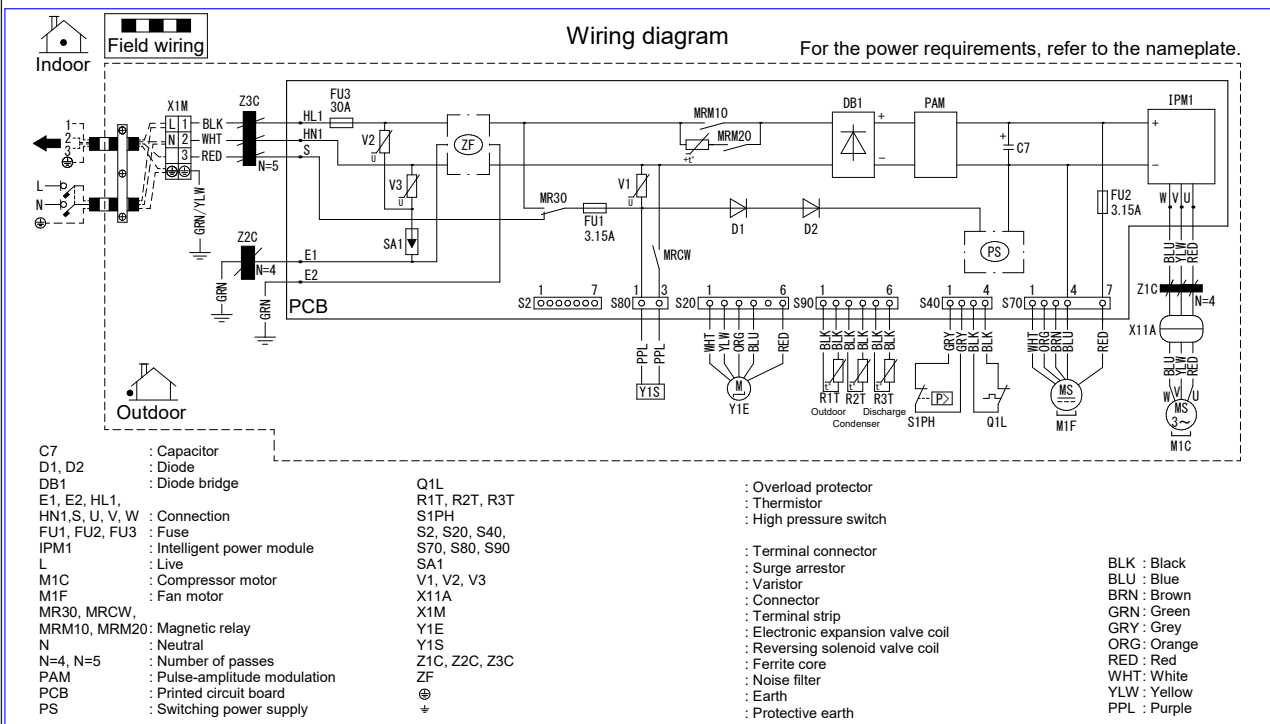
Notes

Size: 140 x 80

Refer to purchasing specification AS303002, unless otherwise specified.

4D120154

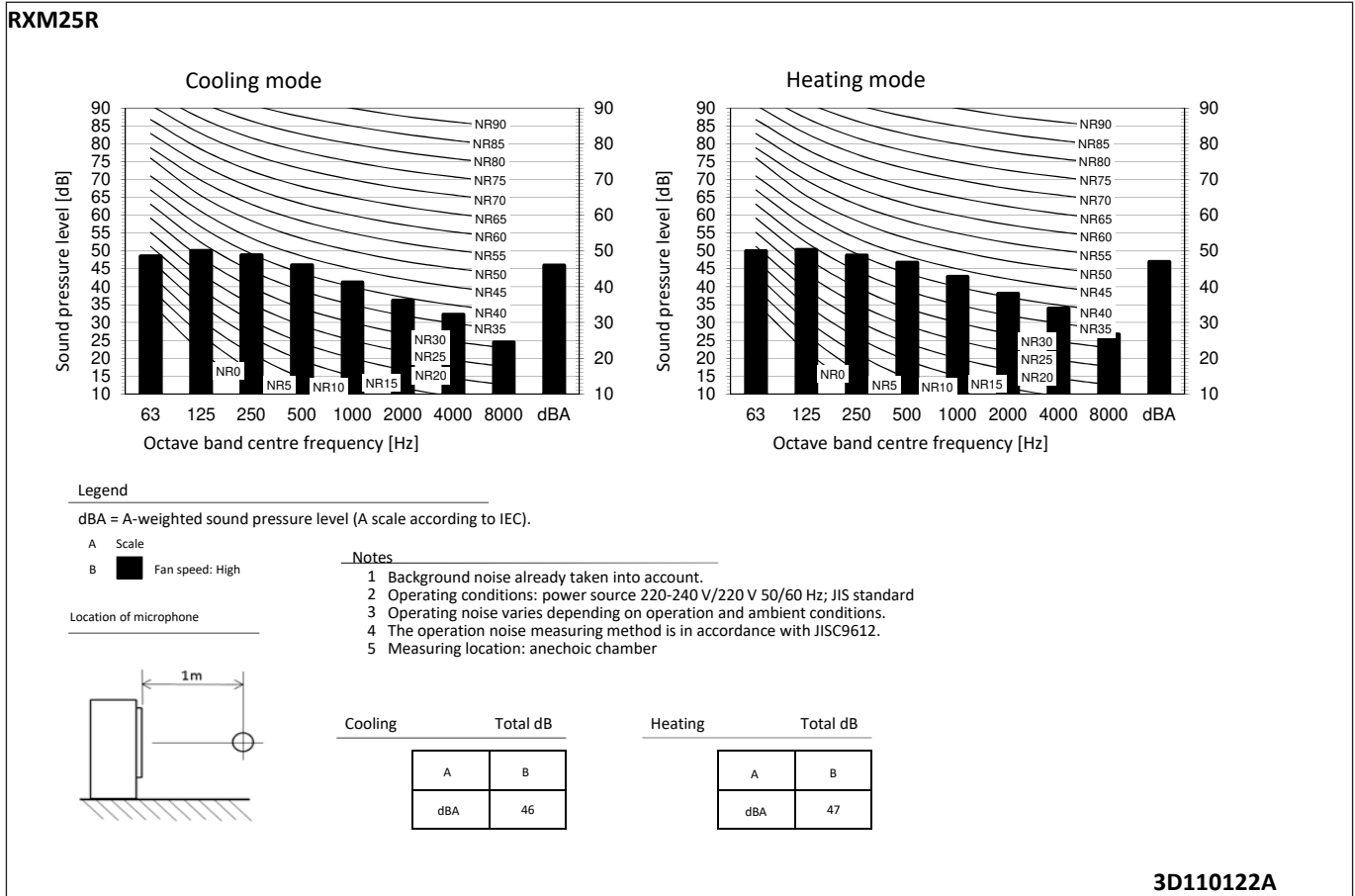
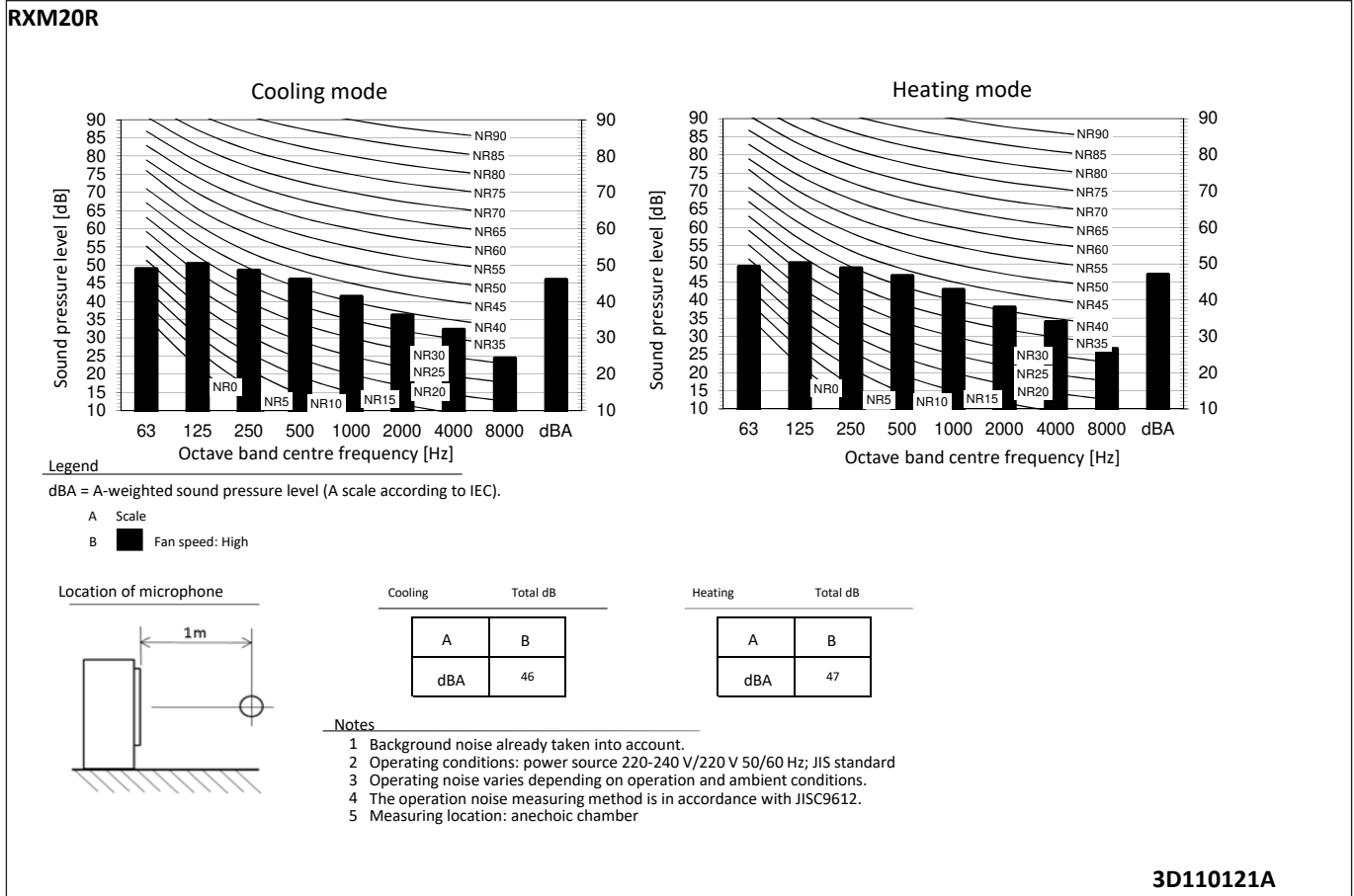
RXM42R



3D130905A

9 Sound data

9 - 1 Sound Pressure Spectrum

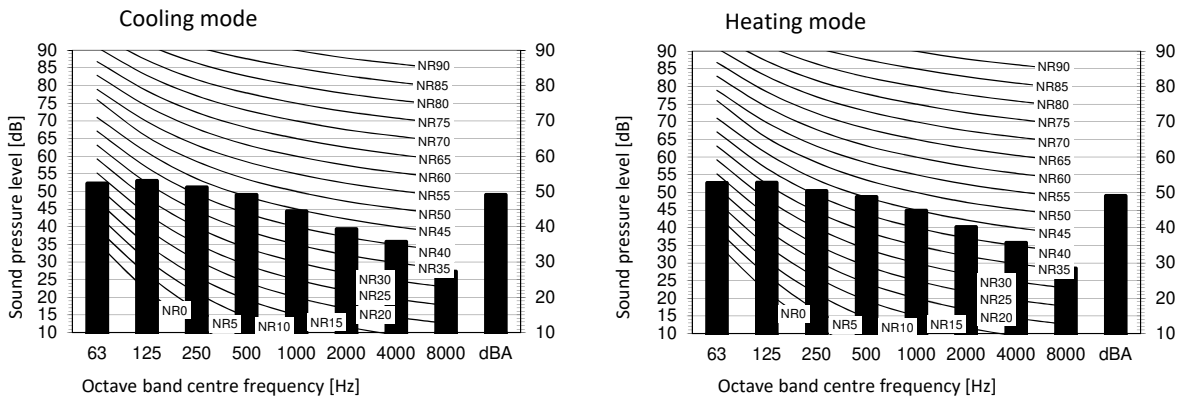


9 Sound data

9 - 1 Sound Pressure Spectrum

9

RXM35R



Legend

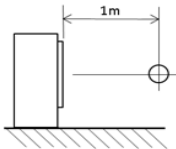
dBA = A-weighted sound pressure level (A scale according to IEC).

- A Scale
- B Fan speed: High

Notes

- 1 Background noise already taken into account.
- 2 Operating conditions: power source 220-240 V/220 V 50/60 Hz; JIS standard
- 3 Operating noise varies depending on operation and ambient conditions.
- 4 The operation noise measuring method is in accordance with JISC9612.
- 5 Measuring location: anechoic chamber

Location of microphone

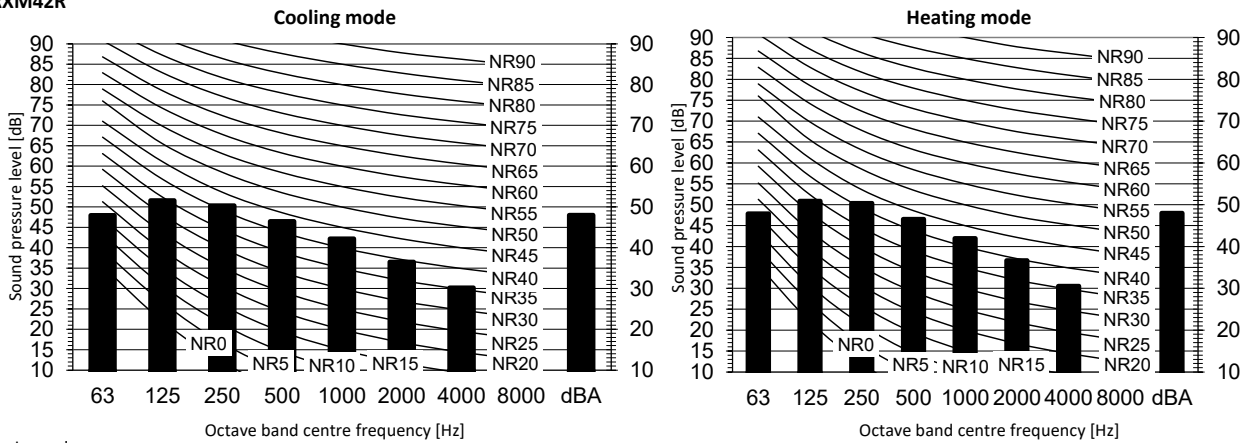


Cooling		Total dB	
A	B		
dBA		49	

Heating		Total dB	
A	B		
dBA		49	

3D110123A

RXM42R

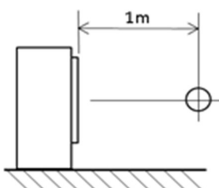


Legend

dBA = A-weighted sound pressure level (A scale according to IEC).

- A Scale
- B Fan speed: High

Location of microphone



Notes

1. Operating conditions: power source 220-240 V/220 V 50/60 Hz; JIS standard
2. Background noise already taken into account.
3. Operating noise varies depending on operation and ambient conditions.
4. The operation noise measuring method is in accordance with JISC9612.
5. Measuring location: anechoic chamber

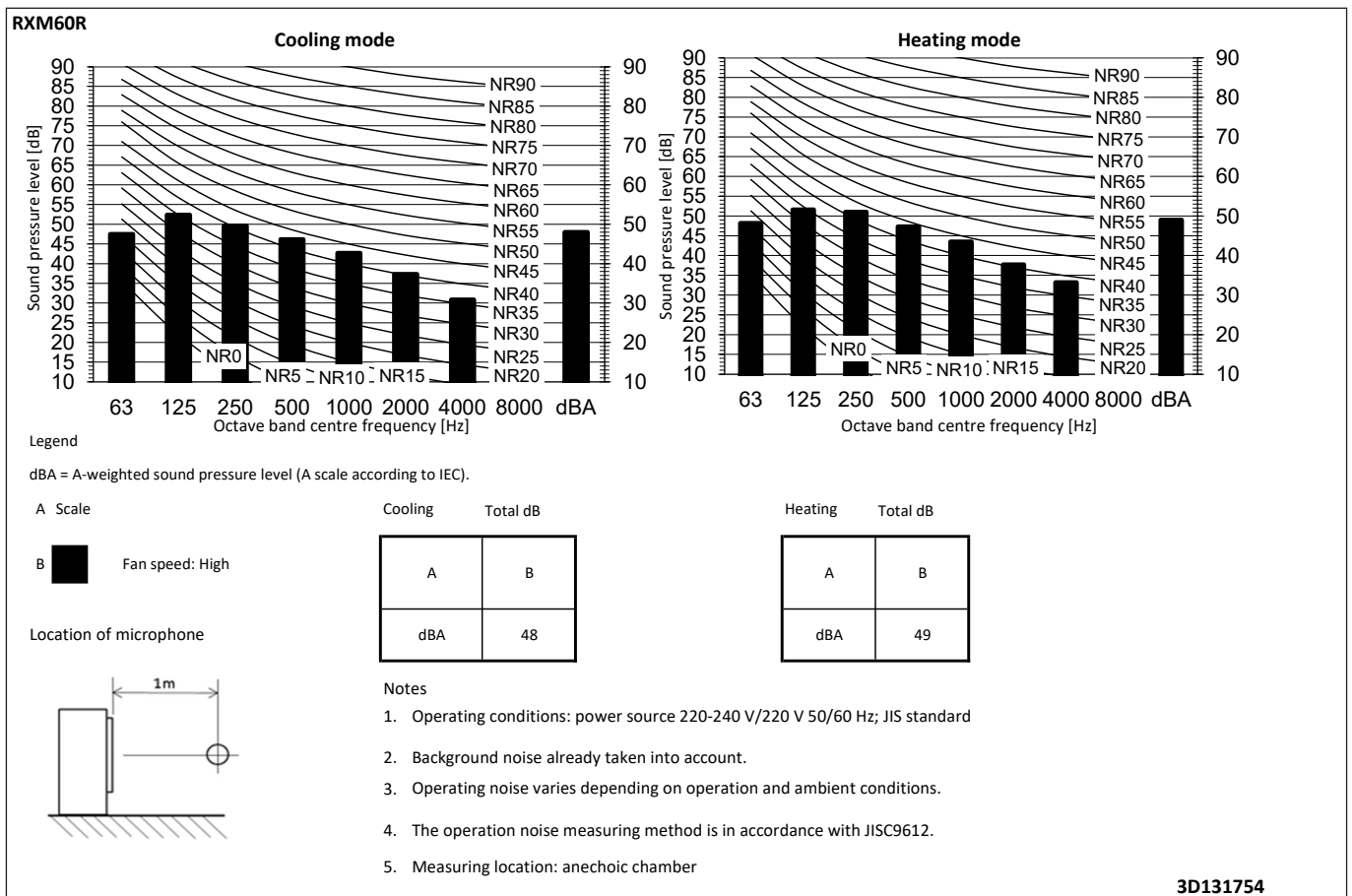
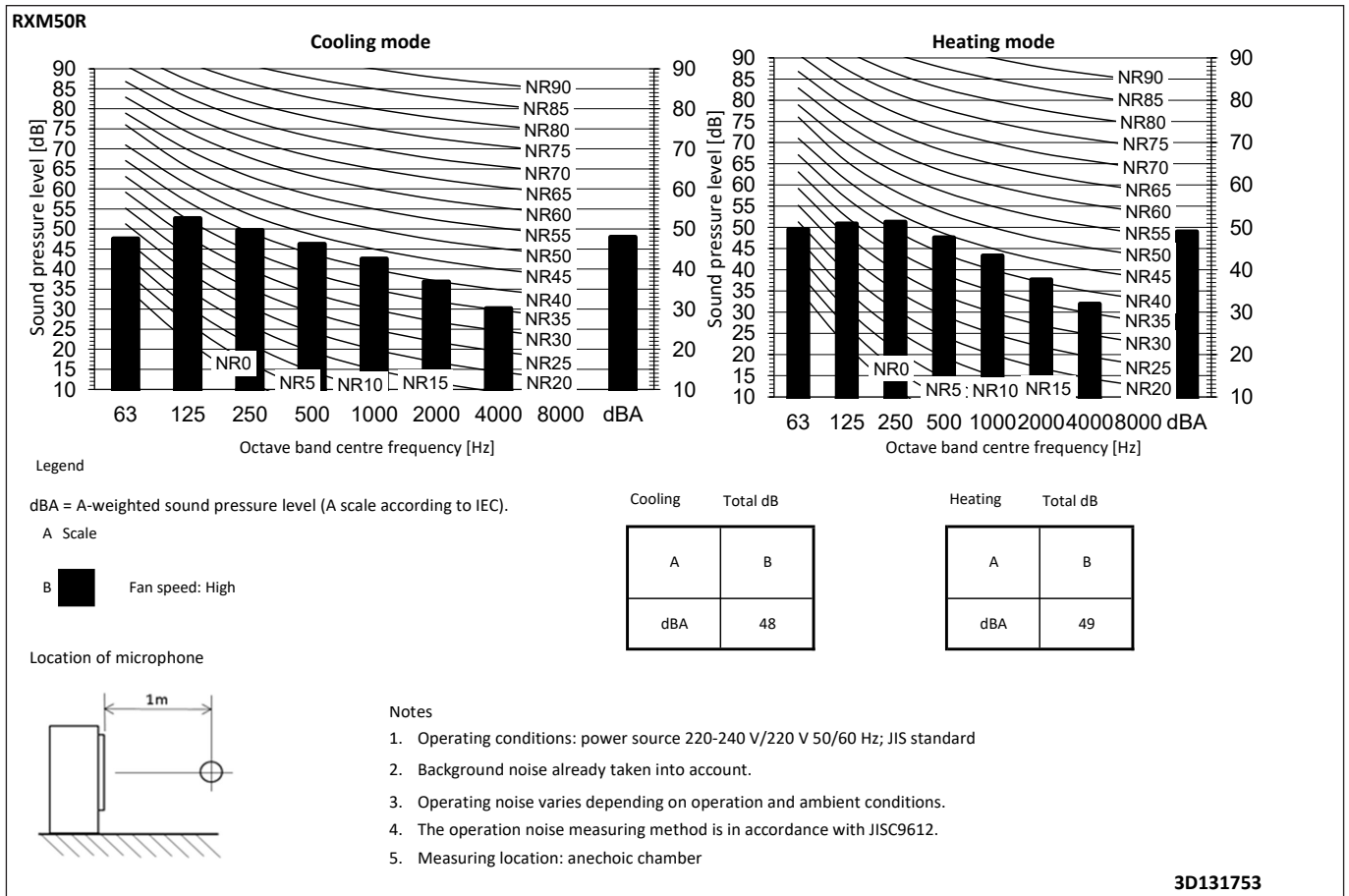
Cooling		Total dB	
A	B		
dBA		48	

Heating		Total dB	
A	B		
dBA		48	

3D131717

9 Sound data

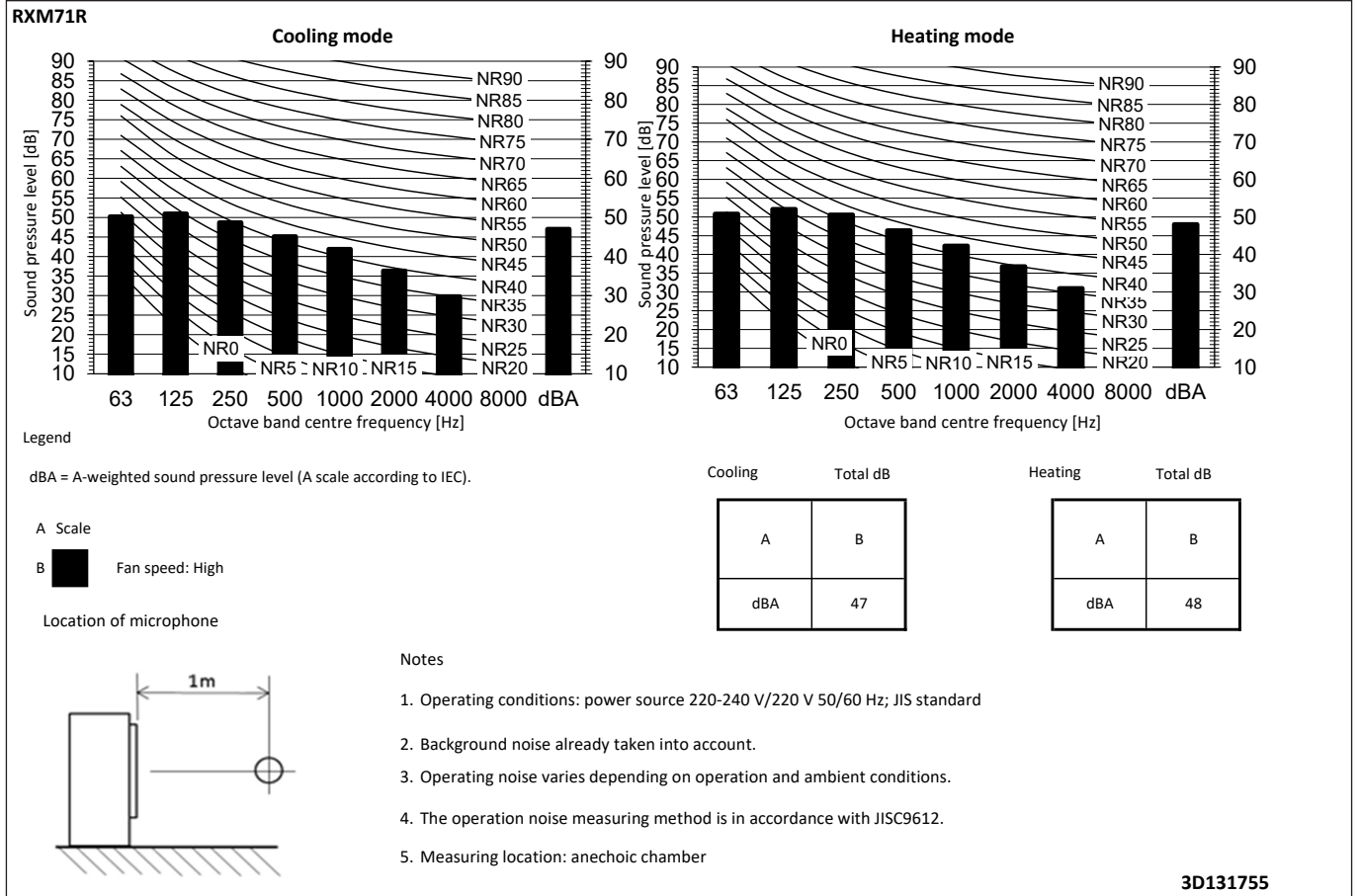
9 - 1 Sound Pressure Spectrum



9 Sound data

9 - 1 Sound Pressure Spectrum

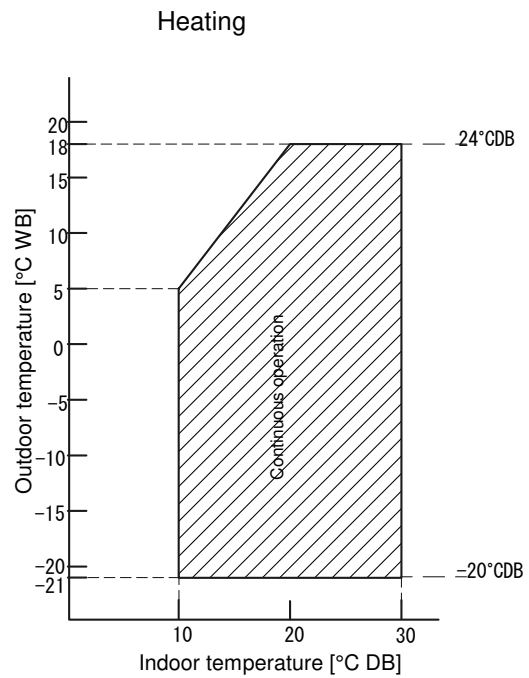
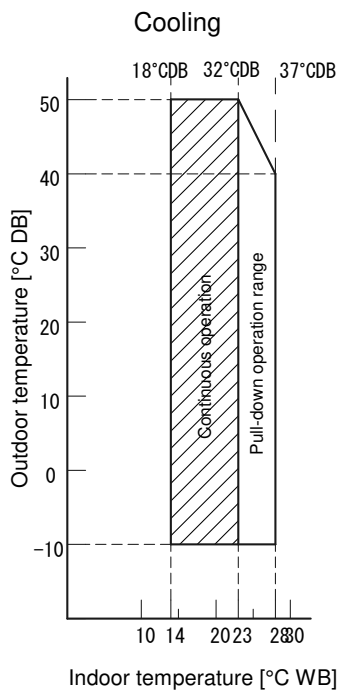
9



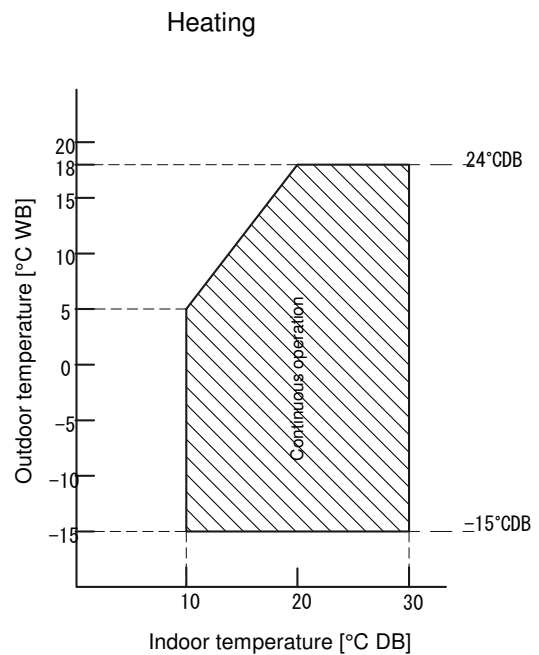
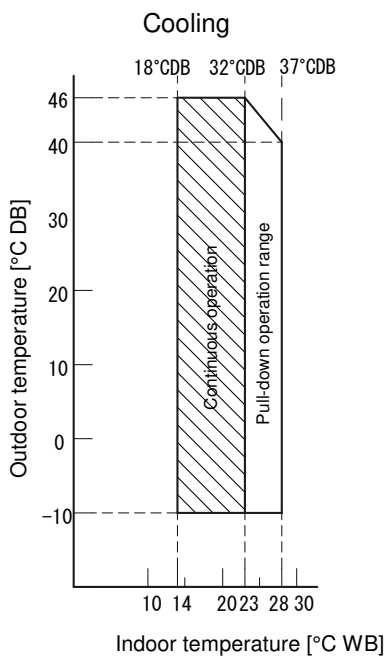
10 Operation range

10 - 1 Operation Range

RXM20-60R



Only possible in combination with ·CTXM*N2V1B, ATXM*N2V1B, FTXM*N2V1B·



Only possible in combination with ·CTXM*M2V1B, ATXM*M2V1B, FTXM*M2V1B, FVXM*FV1B, FCAG*AVEB, FFA*A2VEB9, FBA*A2VEB9, FHA*AVEB9, FDXM*F3V1B9, FNA*A2VEB9, ADEA*A2VEB·

Notes

- The graph is based on the following conditions.
 Corresponding refrigerant piping length: ·5· m
 Level difference: ·0·m
 Air flow rate High

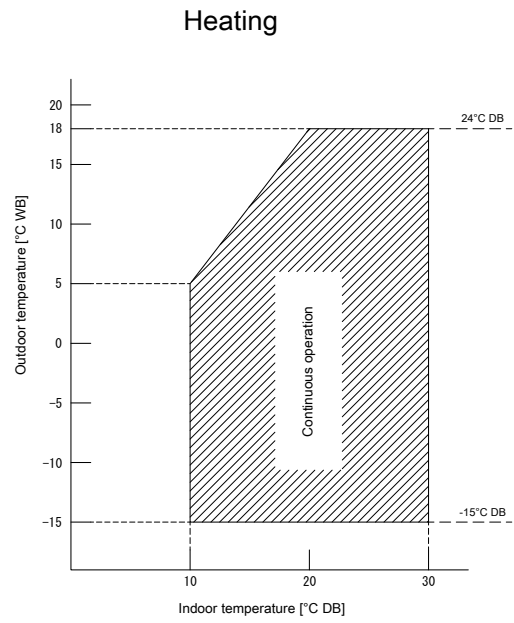
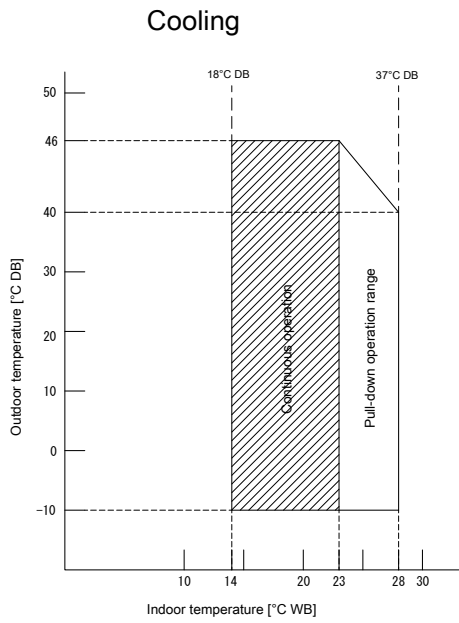
3D119882D

10 Operation range

10 - 1 Operation Range

10

RXM71R

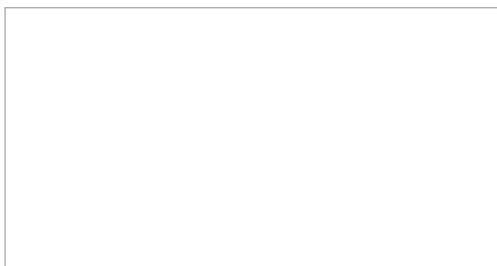


Notes

- The graphs is based on the following conditions.
 Corresponding refrigerant piping length: 5 m
 Level difference: 0m
 Air flow rate High

3D120207

Daikin Europe N.V. Naamloze Vennootschap · Zandvoordestraat 300 · 8400 Oostende · Belgium · www.daikin.eu · BE 0412 120 336 · RPR Oostende (Responsible Editor)



Daikin Europe N.V. participates in the Eurovent Certified Performance programme for Fan Coil Units and Variable Refrigerant Flow systems. Check ongoing validity of certificate: www.eurovent-certification.com

EEDEN20

11/2020



The present leaflet is drawn up by way of information only and does not constitute an offer binding upon Daikin Europe N.V. Daikin Europe N.V. has compiled the content of this leaflet to the best of its knowledge. No express or implied warranty is given for the completeness, accuracy, reliability or fitness for particular purpose of its content and the products and services presented therein. Specifications are subject to change without prior notice. Daikin Europe N.V. explicitly rejects any liability for any direct or indirect damage, in the broadest sense, arising from or related to the use and/or interpretation of this leaflet. All content is copyrighted by Daikin Europe N.V.